



PARTS BOOK

DITCHER HEADS

• BOOM MOUNT •

DIAMOND MOWERS, LLC
350 E 60th St. North
Sioux Falls, SD 57104

FOR WARRANTY CALL DIAMOND MOWERS DIRECT:
888-960-0364
OUR TECHNICIANS WILL DIAGNOSE YOUR SITUATION
OVER THE PHONE TO GET YOU UP AND RUNNING QUICKLY.

Phone: 605-977-3300
Fax: 605-655-5870
www.diamondmowers.com

DEMAND BRILLIANCE.

© DIAMOND MOWERS, LLC



Foreword

This manual contains the parts breakdown and identification of the various components and structures that make up your mower implement.

The illustrations, drawings, and diagrams in this manual are based on the latest information available at the time of publication. Your machine may have product improvements and features not yet contained in this parts manual.

Diamond Mowers, LLC reserves the right to make changes at any time without notice or obligation.

Diamond Mowers, LLC™ and Wetblade™ are trademarks of Diamond Mowers, LLC.

This manual should be consulted prior and while assembling the unit, and anytime parts or assembly clarification is needed.

Copyright© 2016 Diamond Mowers, LLC

All rights reserved. While every precaution has been taken in the preparation of this manual, the publisher assumes no responsibility for errors or omissions. No part of this book covered by the copyrights hereon may be reproduced or copied in any form or by any means - graphic, electronic, or mechanical, including photocopying, taping, or information storage and retrieval systems - without written permission of the publisher.



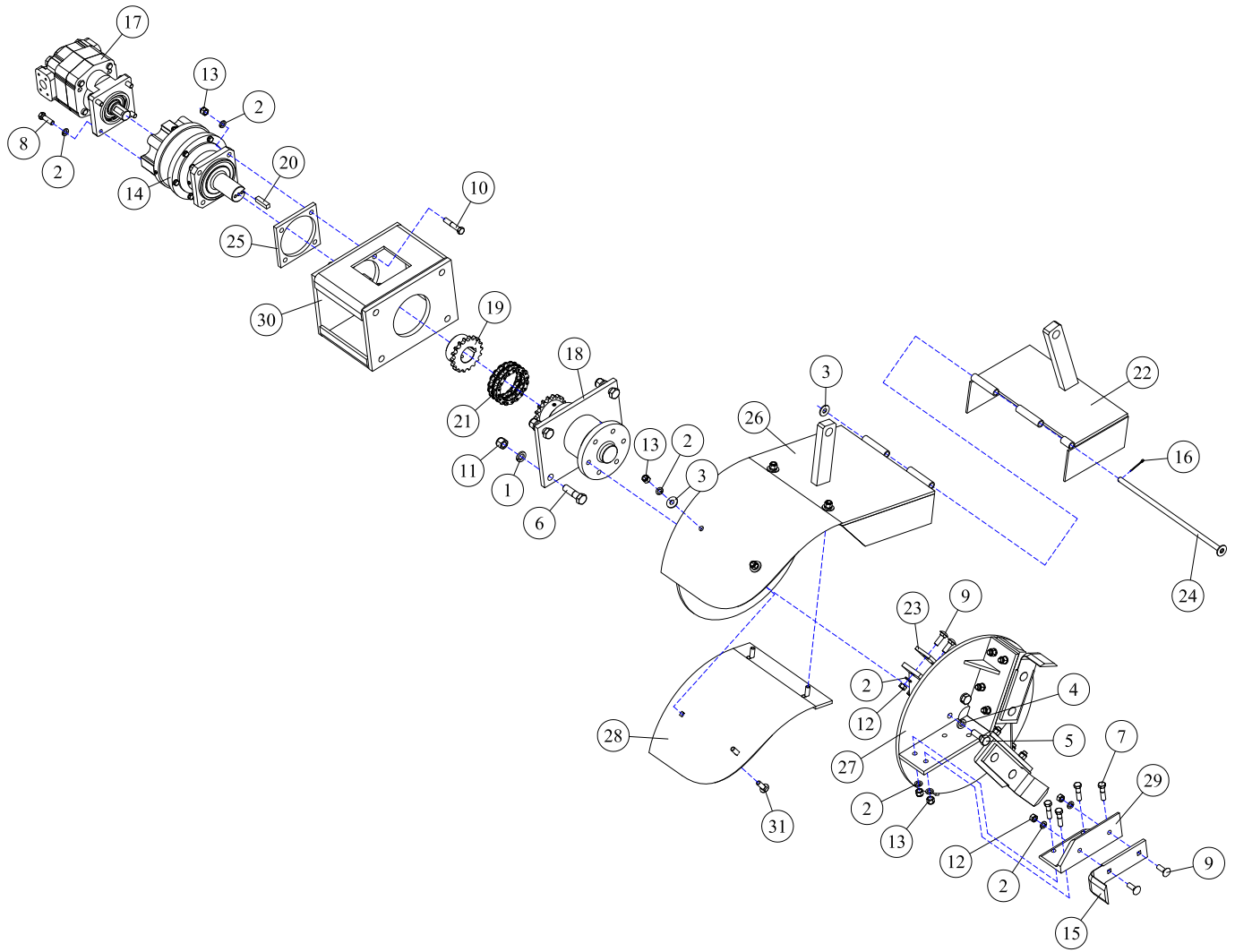
Table of Contents

DITCHER HEADS	4
BOOM DITCHER HEAD - 22", REVERSE ROTATION.....	5
BOOM DITCHER HEAD - PRIMARY BOOM ATTACHMENT.....	6
BOOM DITCHER HEAD - SECONDARY BOOM ATTACHMENT.....	7
DECK ASSEMBLIES	8
19-0042 - GEAR BOX ASSEMBLY, REDUCTION DRIVE.....	9
30-0514 - MOTOR ASSEMBLY.....	10
35-0018 - INDIRECT DRIVE SPINDLE, DITCHER	11
LIFT ASSEMBLIES	12
14-0020 - 2X6 TIE-ROD CYLINDER.....	13

DITCHER HEADS



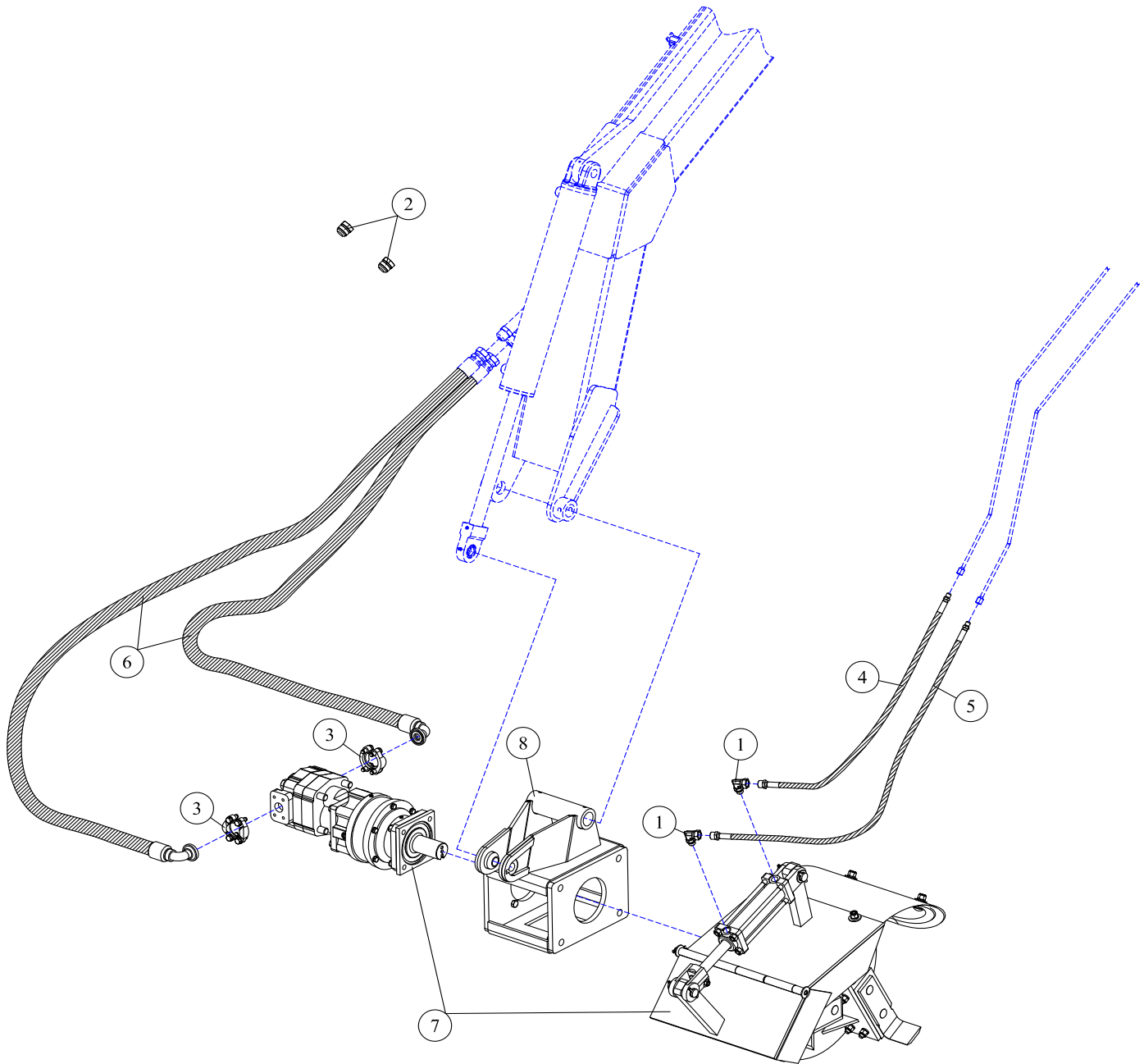
BOOM DITCHER HEAD - 22", REVERSE ROTATION



REF#	PARTS DESCRIPTION	REQ	PART #
1	3/4 LOCK WASHER	4	11-0007
2	1/2 LOCK WASHER	36	11-0011
3	1/2 FLAT WASHER	5	11-0018
4	5/8 H.S. LOCK WASHER	6	11-0043
5	5/8 X 2 H.S. NF HEX CAPSCREW	6	11-0508
6	3/4 X 3 NC HEX CAPSCREW	4	11-0509
7	1/2 X 2 NC HEX CAPSCREW	12	11-0522
8	1/2 X 1-3/4 NC HEX CAPSCREW	4	11-0535
9	1/2 X 1-1/2 NC CARRIAGE BOLT	12	11-0608
10	1/2 X 2-3/4 NC HEX CAPSCREW	4	11-0636
11	3/4 NC NYLOCK NUT	4	11-1006
12	1/2 NC HEX NUT	12	11-1016
13	1/2 NC NYLOCK NUT	20	11-1018
14	GEAR BOX	1	19-0042
15	KNIFE	3	22-2000
16	1/8 X 1-1/4 COTTER PIN	1	27-1009

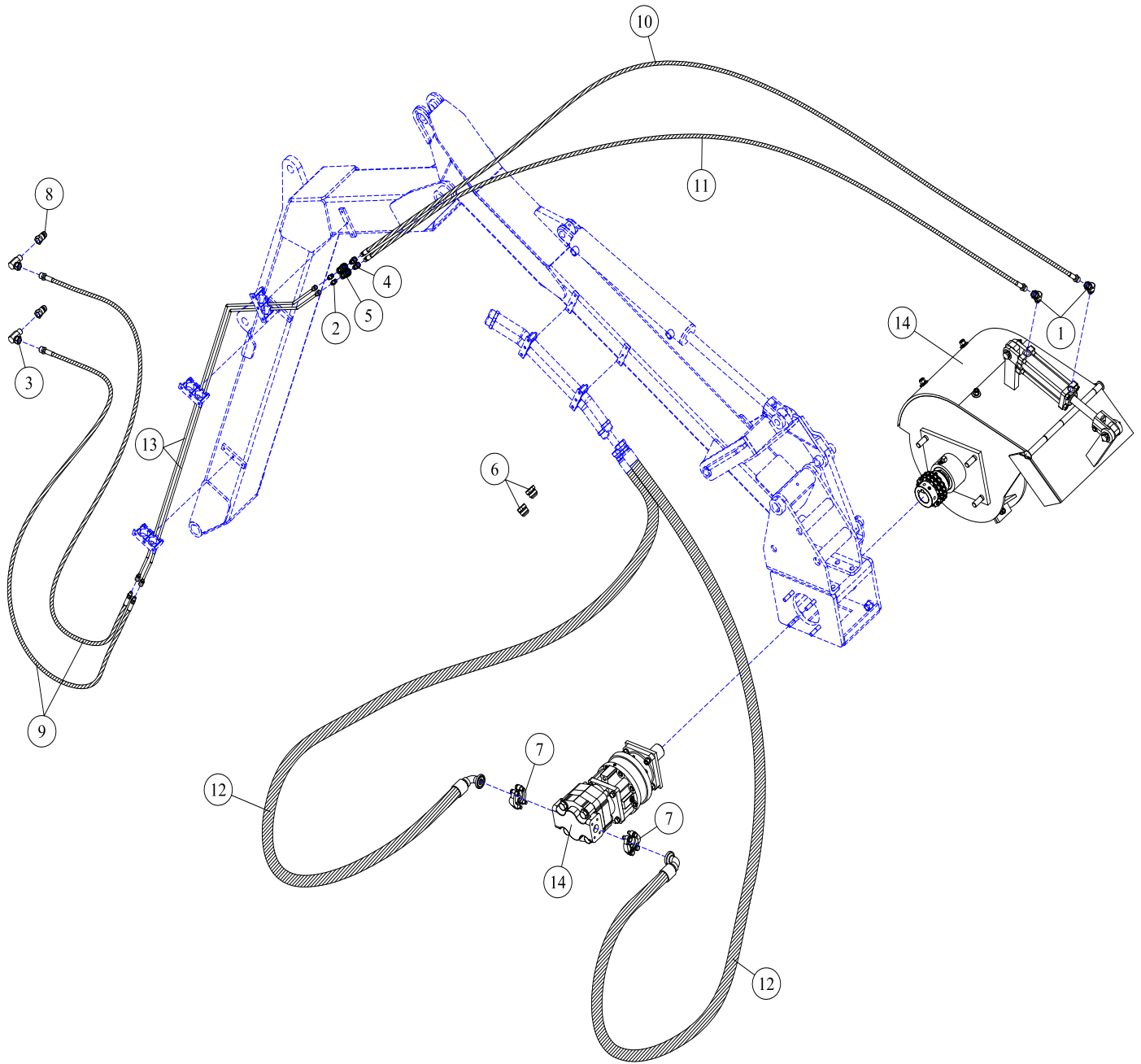
REF#	PARTS DESCRIPTION	REQ	PART #
17	365 MOTOR	1	30-0514
18	SPINDLE ASSEMBLY	1	35-0018
19	2" SPROCKET	1	37-0024
20	1/2 X 2 KEY	1	37-0026
21	COUPLING CHAIN	1	37-0027
22	DEFLECTOR CHUTE	1	41-0242
23	SLINGER PAD	3	41-0247
24	CHUTE PIN	1	41-0248
25	SPACER PLATE	1	41-0249
26	DITCHER HOUSING	1	41-0251
27	KNIFE DISK	1	41-0252
28	WEAR PLATE	1	41-0253
29	KNIFE MOUNTING ANGLE	1	41-0254
30	BOOM ATTACHMENT	1	41-0243
31	1/2 X 1-3/4 NC CARRIAGE BOLT	4	11-0812

BOOM DITCHER HEAD - PRIMARY BOOM ATTACHMENT



REF#	PARTS DESCRIPTION	REQ	PART #
1	1/2ADJ-OR X 1/2FPX-90DEG, FITTING	2	21-1119
2	1 MJIC PLUG	2	21-1453
3	#20 FLANGE KIT	2	21-2105
4	HOSE 1/4 X 48 (5/16MFIC X 1/2MP)	1	21-2202
5	HOSE 1/4 X 60 (5/16MFIC X 1/2MP)	1	21-2288
6	HOSE 1 X 50 (#20FLG-90 X 1FJIC)	2	21-2645
7	DITCHER A SSEMBLY	1	
8	PIVOT RABKET	1	41-0515

BOOM DITCHER HEAD - SECONDARY BOOM ATTACHMENT



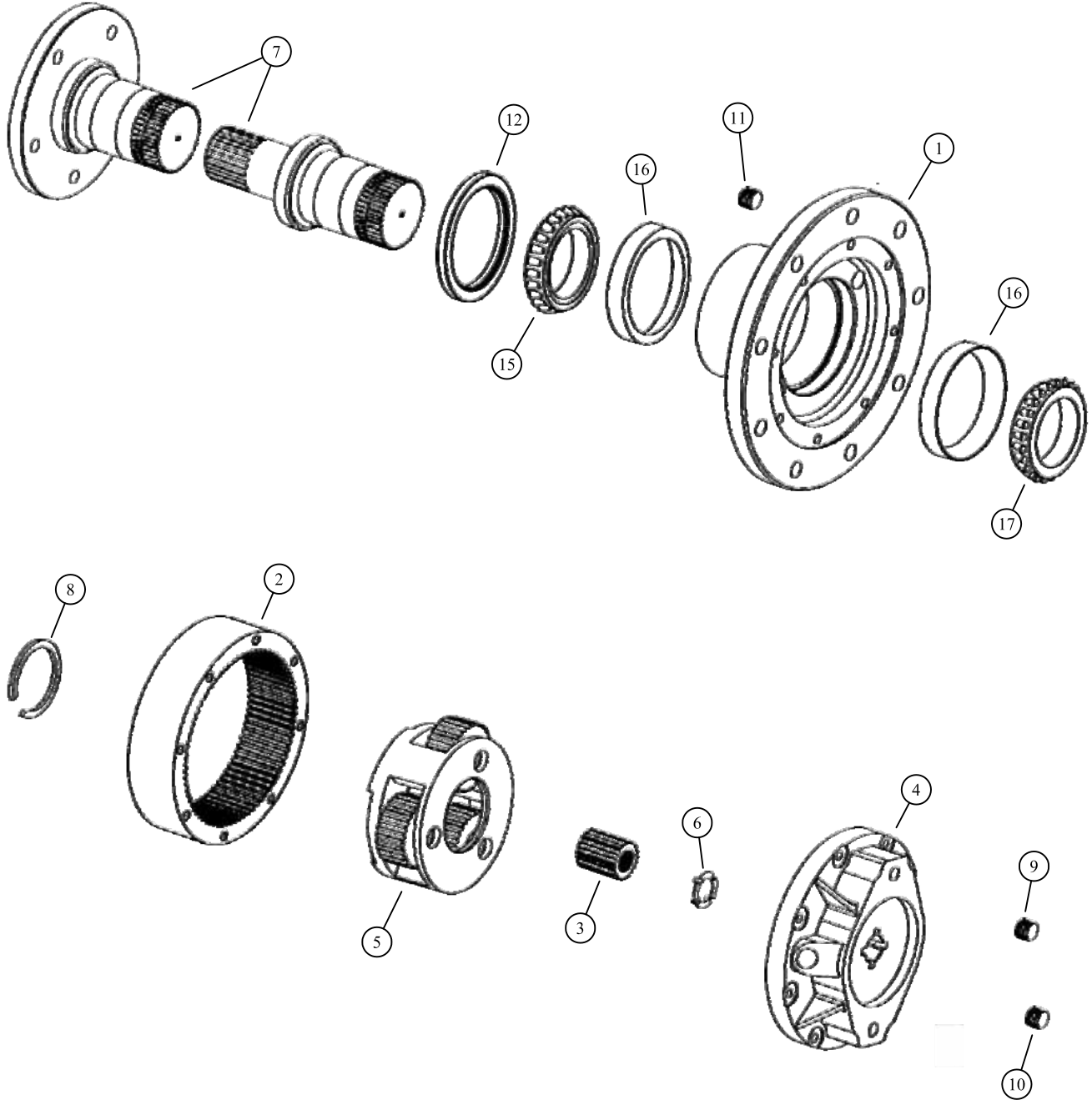
REF#	PARTS DESCRIPTION	REQ	PART #
1	1/2ADJ-OR X 1/2FPX-45DEG, SWIVEL	2	21-1120
2	1/4MP X 5/16MJIC	2	21-1124
3	1/2MP X 1/2FPX-90DEG, FITTING, LONG	2	21-1138
4	1/4 MALE QUICK COUPLER	2	21-1434
5	1/4 FEMALE QUICK COUPLER	2	21-1435
6	1 MJIC PLUG	2	21-1453
7	#20 FLANGE KIT	2	21-2105

REF#	PARTS DESCRIPTION	REQ	PART #
8	1/2 MALE QUICK COUPLER	2	21-2119
9	HOSE 1/4 X 135 (5/16MFIC X 1/2MP)	2	21-2266
10	HOSE 1/4 X 120 (1/4MP X 1/2MP)	1	21-2380
11	HOSE 1/4 X 112 (1/4MP X 1/2MP)	1	21-2381
12	HOSE 1 X 50 (#20FLG-90 X 1FJIC)	2	21-2645
13	PREFORMED TUBE	2	28-0010
14	DITCHER ASSEMBLY	1	

DECK ASSEMBLIES



19-0042 - GEAR BOX ASSEMBLY, REDUCTION DRIVE

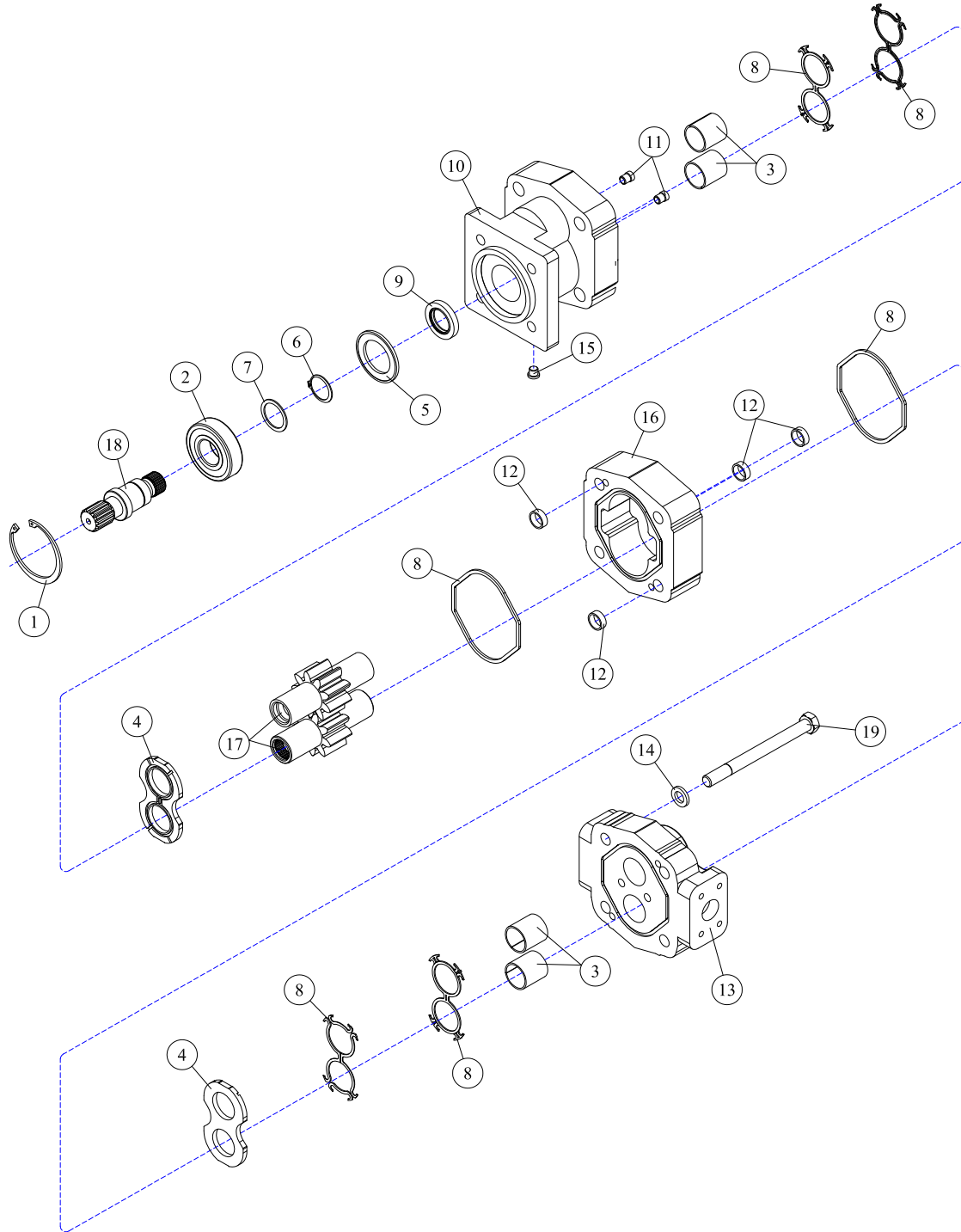


* Bearing & seal kit includes parts 8, 12, 15, 16 & 17
 ** Seal kit includes parts 8 & 12

REF#	PARTS DESCRIPTION	REQ	PART #
1	HUB	1	19-0043
2	RING GEAR	1	19-0044
3	SUN GEAR	1	19-0045
4	COVER	1	19-0046
5	CARRIER ASSEMBLY	1	19-0047
6	THRUST WASHER 5/PKG	1	19-0048
7	OUTPUT SHAFT	1	30-1150
8	RETAINING RING KIT (7 RETAINING RINGS)	1	30-1151
9	1/2-14 MAGNETIC PIPE PLUG	1	30-1152

REF#	PARTS DESCRIPTION	REQ	PART #
10	1/2-14 PIPE PLUG	1	30-1153
11	1/8-27 PIPE PLUG	3	30-1154
12	OIL SEAL	1	33-0042
*13	BEARING & SEAL KIT	1	33-0043
**14	SEAL KIT	1	33-0044
15	BEARING	1	See Notes
16	BEARING CUP	2	See Notes
17	BEARING	1	See Notes

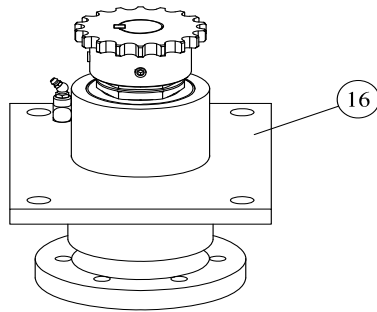
30-0514 - MOTOR ASSEMBLY



REF#	PARTS DESCRIPTION	REQ	PART #
1	SNAP RING	1	30-1009
2	OUTBOARD BEARING	1	30-1010
3	BUSHING	4	30-1011
4	THRUST PLATE	2	30-1012
5	SEAL RETAINER	1	30-1017
6	RETAINING RING	1	30-1019
7	WASHER	1	30-1020
8	M365 SEAL KIT	Avail	30-1021
9	150 PSI (included in M365 seal kit)	1	30-1210
10	SHAFT END COVER	1	30-1086

REF#	PARTS DESCRIPTION	REQ	PART #
11	CHECK ASSEMBLY	2	30-1087
12	ALIGNMENT BUSHING	4	30-1090
13	PORT END COVER	1	30-1091
14	WASHER	4	30-1093
15	PLUG	1	30-1096
16	GEAR HOUSING	1	30-1140
17	1" GEAR SET	1	30-1141
18	CONTINENTAL SHAFT, SPLINED	1	30-1144
19	STUD	4	Call

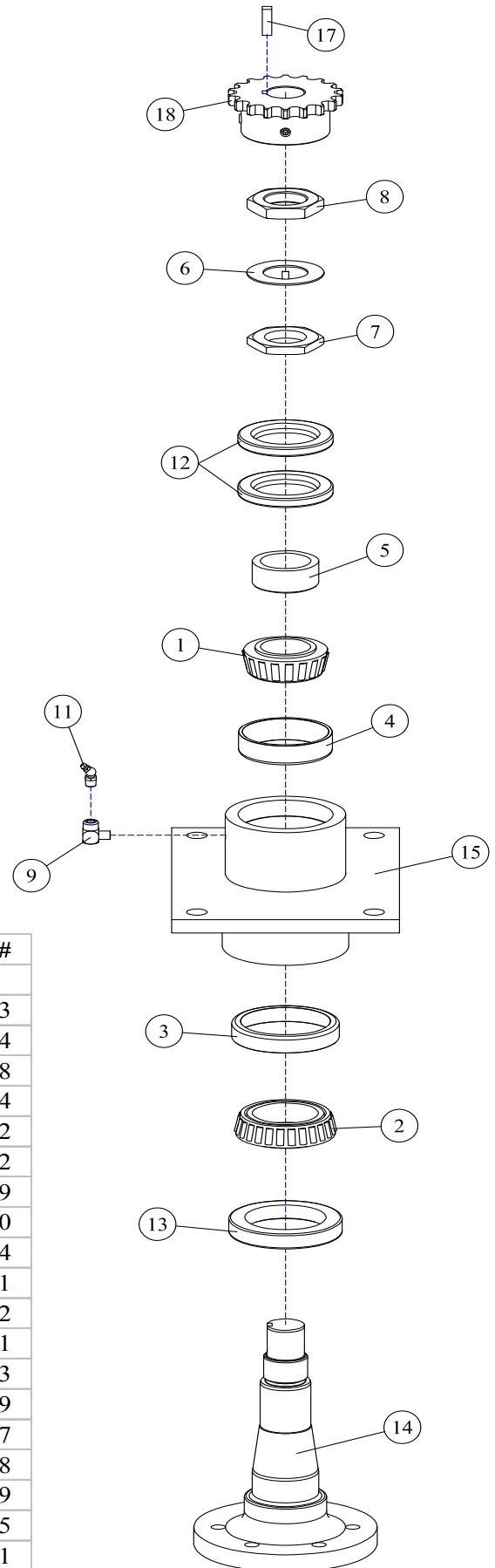
35-0018 - INDIRECT DRIVE SPINDLE, DITCHER



* Complete spindle assemblies also available.
Diamond Part #35-0018

**Do not use #2 heavy-duty grease on spindle assembly. Use Diamond spindle grease parts #23-0001

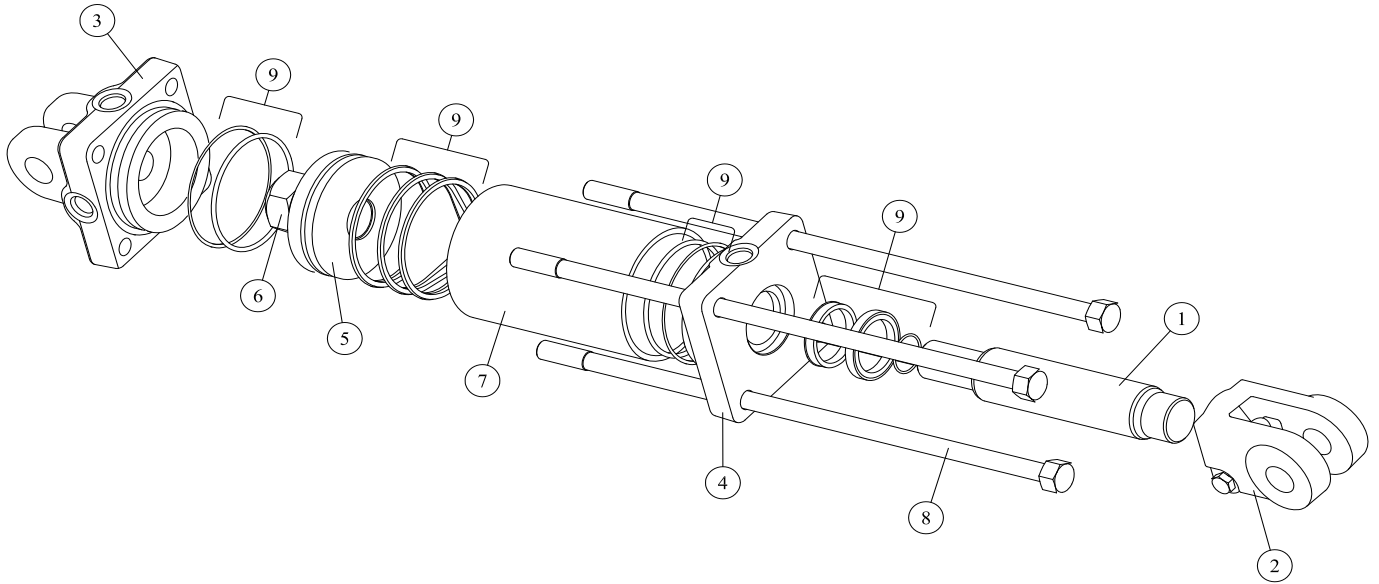
***Complete spindle repair kits available. These kits include 10-0003, 10-0004, 10-0008, 10-0014, 10-1002, 11-0002, 11-1009, 11-1010, 33-0001, 33-0003 & 37-0009. These can be purchased using part #44-0001



REF#	PARTS DESCRIPTION	REQ	PART #
1	BEARING CONE	1	10-0003
2	BEARING CONE	1	10-0004
3	BEARING CUP	1	10-0008
4	BEARING CUP	1	10-0014
5	BEARING ADJUSTMENT SLEEVE	1	10-1002
6	JAM WASHER	1	11-0002
7	ADJUSTMENT BEARING NUT	1	11-1009
8	ADJUSTMENT BEARING NUT	1	11-1010
9	1/8 X 90DEG ELBOW	1	21-1104
10**	DIAMOND SPINDLE GREASE	Avail	23-0001
11	1/8" X 45 GREASE ZERK	1	23-0002
12	UPPER SEAL SET	1	33-0001
13	LOWER SEAL	1	33-0003
14	SPINDLE	1	35-0009
15	SPINDLE HOUSING DITCHER	1	35-0017
16*	DITCHER SPINDLE ASSEMBLY	Avail	35-0018
17	SPINDLE KEY	1	37-0009
18	SPROCKET	1	37-0025
19***	SPINDLE REPAIR KIT	Avail	44-0001

LIFT ASSEMBLIES



14-0020 - 2X6 TIE-ROD CYLINDER

REF#	PARTS DESCRIPTION	REQ	PART #
1	PISTON ROD	1	14-1173
2	CLEVIS ASSEMBLY	1	14-1064
3	BUTT	1	14-1062
4	GLAND	1	14-1063
5	PISTON	1	14-1067
6	LOCKNUT	1	14-1068
7	TUBE	1	14-1174
8	TIE-ROD ASSEMBLY	4	14-1175
9	SEAL KIT	1	33-0025



**100% SATISFACTION
GUARANTEE**
★ GET IT, LOVE IT, *or* LEAVE IT! ★

**72-HOUR PARTS
SHIPPING GUARANTEE**