



# PARTS BOOK

## FLAIL HEADS

• 60"/102" GANG • MID-MOUNT • 5.10.18 •

DIAMOND MOWERS, LLC  
350 E 60<sup>th</sup> St. North  
Sioux Falls, SD 57104

FOR WARRANTY CALL DIAMOND MOWERS DIRECT:  
**888-960-0364**  
OUR TECHNICIANS WILL DIAGNOSE YOUR SITUATION  
OVER THE PHONE TO GET YOU UP AND RUNNING QUICKLY.

Phone: 605-977-3300  
Fax: 605-655-5870  
[www.diamondmowers.com](http://www.diamondmowers.com)

**DEMAND BRILLIANCE.**

© DIAMOND MOWERS, LLC



## Foreword

This manual contains the parts breakdown and identification of the various components and structures that make up your mower implement.

The illustrations, drawings, and diagrams in this manual are based on the latest information available at the time of publication. Your machine may have product improvements and features not yet contained in this parts manual.

Diamond Mowers, LLC reserves the right to make changes at any time without notice or obligation.

Diamond Mowers, LLC™ and Wetblade™ are trademarks of Diamond Mowers, LLC.

This manual should be consulted prior and while assembling the unit, and anytime parts or assembly clarification is needed.

### **Copyright© 2016 Diamond Mowers, LLC**

All rights reserved. While every precaution has been taken in the preparation of this manual, the publisher assumes no responsibility for errors or omissions. No part of this book covered by the copyrights hereon may be reproduced or copied in any form or by any means - graphic, electronic, or mechanical, including photocopying, taping, or information storage and retrieval systems - without written permission of the publisher.



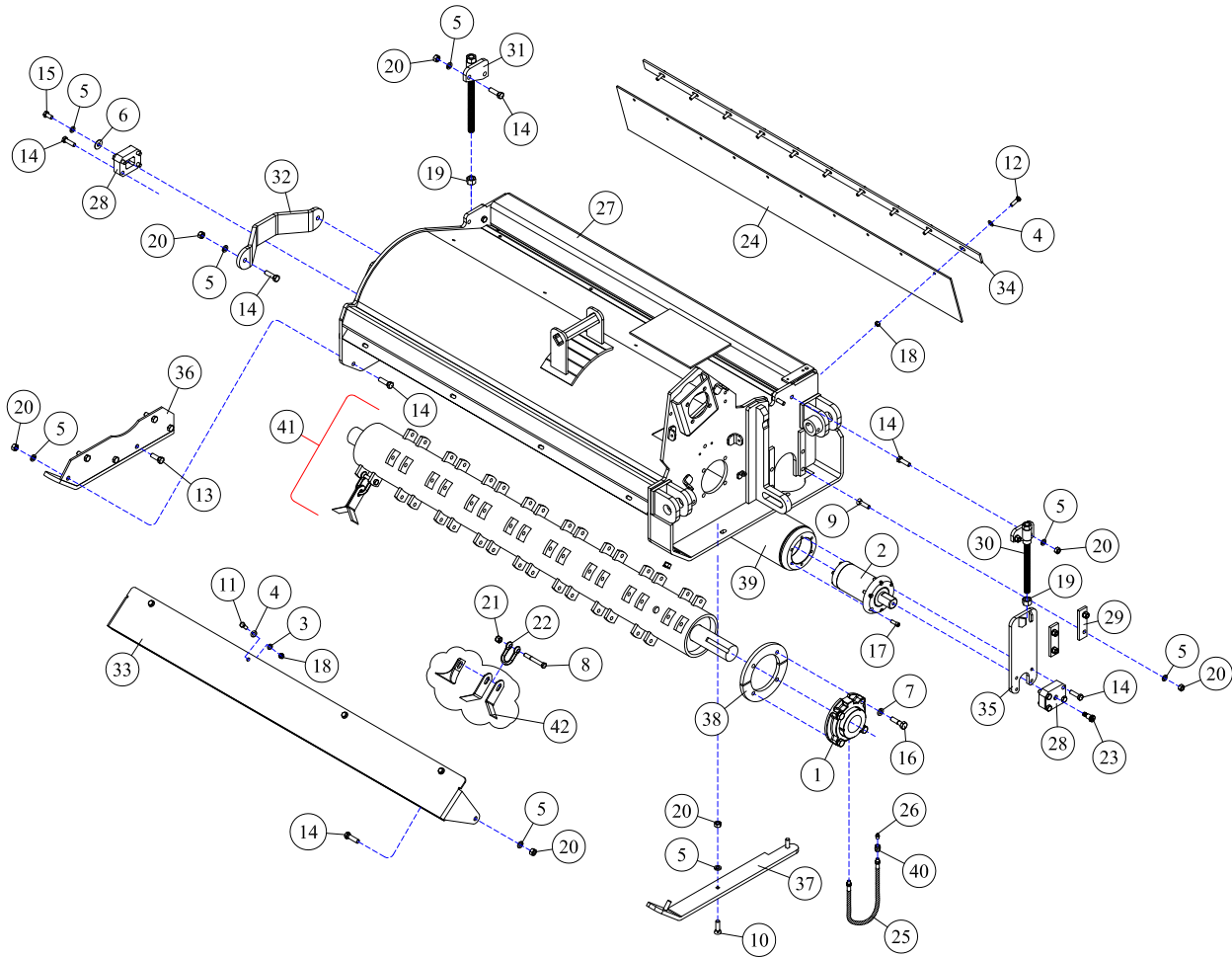
## Table of Contents

<b>FLAIL HEADS</b> .....	4
SIDE HD FLAIL HEAD - 60" CUTTER ASSEMBLY, RIGHT SIDE.....	5
SIDE HD FLAIL HEAD - 60" CUTTER ASSEMBLY, LEFT SIDE.....	6
DECAL IDENTIFICATION - SIDE FLAIL.....	7
SIDE HD FLAIL HEAD - 60" DRIVE ASSEMBLY, RIGHT.....	8
SIDE HD FLAIL HEAD - 60" DRIVE ASSEMBLY, LEFT.....	9
REAR HD FLAIL HEAD - 102" CUTTER ASSEMBLY.....	10
DECAL IDENTIFICATION - REAR FLAIL.....	11
REAR HD FLAIL HEAD - 102" DRIVE ASSEMBLY.....	12
REAR HD FLAIL HEAD - OFFSET KIT ASSEMBLY.....	13
HD FLAIL HEAD - BLADE CONFIGURATIONS.....	14
<b>DECK ASSEMBLIES</b> .....	15
30-0511 - MOTOR ASSEMBLY.....	16
19-0020 - GEAR BOX ASSEMBLY.....	17
29-0003 - DRIVE LINE ASSEMBLY.....	18
<b>LIFT ASSEMBLIES</b> .....	19
14-0001 - 3X10 WELDED CYLINDER.....	20
14-0004 - 3X12 WELDED CYLINDER, SLUGGED.....	21
<b>ELECTRICAL ASSEMBLIES</b> .....	22
LIMIT SWITCH - DRAFT BEAM HEIGHT LIMITER.....	23
<b>MISCELLANEOUS ASSEMBLIES</b> .....	24
BEARING - GROUND ROLLER, 10-1051.....	25

# FLAIL HEADS



## SIDE HD FLAIL HEAD - 60" CUTTER ASSEMBLY, RIGHT SIDE

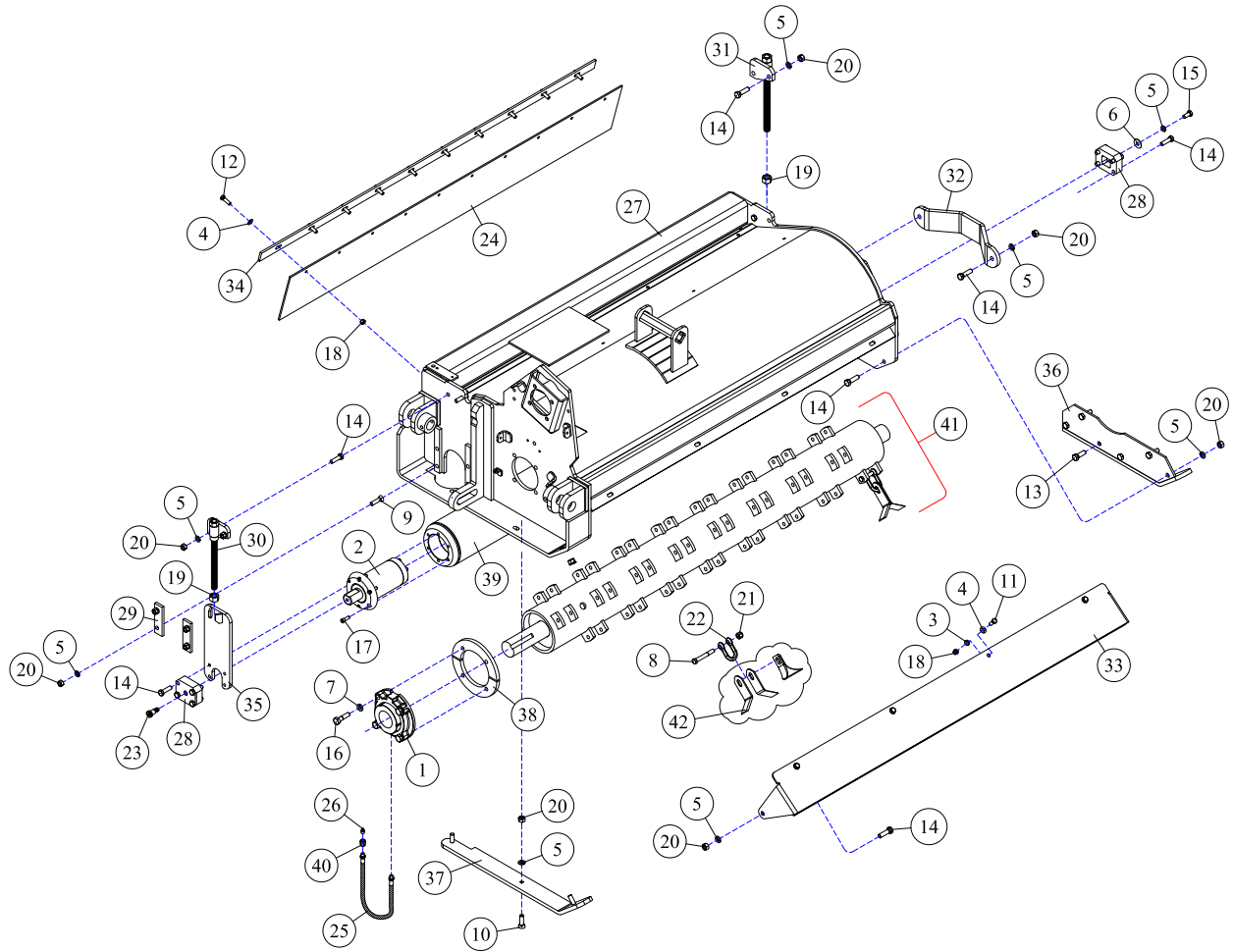


REF#	PARTS DESCRIPTION	REQ	PART #
1	CUTTERSHAFT BEARING	2	10-0006
2	GROUND ROLLER BEARING ASSY	2	10-1051
3	3/8 LOCK WASHER	4	11-0005
4	3/8 FLAT WASHER	14	11-0009
5	1/2 LOCK WASHER	25	11-0011
6	1/2 FLAT WASHER GR 5	1	11-0018
7	1/2 H.S. LOCK WASHER	8	11-0036
8	KNIFE MOUNTING BOLT	32	11-0506
9	1/2 X 2 NC PLOW BOLT	8	11-0515
10	1/2 X 1-3/4 NC PLOW BOLT	3	11-0530
11	3/8 X 1 NC HEX CAPSCREW	4	11-0532
12	3/8 X 1-1/4 NC HEX CAPSCREW	10	11-0533
13	1/2 X 1-1/2 NC HEX CAPSCREW	5	11-0534
14	1/2 X 1-3/4 NC HEX CAPSCREW	16	11-0535
15	1/2 X 1 NC HEX CAP	1	11-0569
16	1/2 X 2 H.S. NF HEX CAPSCREW	8	11-0633
17	3/8 X 1 H.S. NC SKT HEAD	12	11-0752
18	3/8 NC HEX NUT	14	11-1001
19	3/4 - 6 ACME HEX NUT	2	11-1012
20	1/2 NC HEX NUT	24	11-1016
21	7/16 NYLOCK JAM NUT	32	11-1146
22	CLEVIS	32	11-1501
23	SHOULDER BOLT	1	11-2086
24	60" FLAP	1	18-0026
25	GREASE ZERK HOSE	1	21-0002
26	1/8" GREASE ZERK	2	23-0003
27	60" RIGHT FLAIL BONNET	1	25-0041
28	GROUND ROLLER BLOCK	2	31-0563

REF#	PARTS DESCRIPTION	REQ	PART #
29	LOCK PLATE	4	41-0003
30	ADJUSTMENT ROD INSIDE	1	41-0005
31	ADJUSTMENT ROD OUSIDE	1	41-0006
32	CUTTERSHAFT GUARD	1	41-0097
33	60" TRASH GUARD	1	41-0193
34	60" FLAP BAR	1	41-0194
35	GROUND ROLLER BRACKET	2	41-1501
36	OUTER SKID SHOE	1	42-0010
37	INNER SKID SHOE	1	42-0013
38	BEARING GUARD	4	46-0018
39	60" GROUND ROLLER	1	46-0050
40	1/8" BRASS COUPLER	1	9996
41	****CUTTER SHAFTS COMPLETE****		
	60" CUTTER SHAFT, SMOOTH CUT KNIVES	Opt.	46-1012
	60" CUTTER SHAFT, 3/16" HD KNIVES	1	46-1022
42	****FLAIL KNIVES****		
	SMOOTH CUT FLAIL KNIFE	32	22-1006
	3/6" HD FLAIL KNIFE	64	22-1016
43	<b>BLADE KITS</b>		
	<b>SIDE FLAIL ONLY</b>		
	Includes 11-0506, 11-1146, & 22-1006 (smooth)	1	44-0262
	Includes 11-0506, 11-1146, & 22-1016 (HD)	1	44-0241
	<b>TRIPLE FLAIL (60" sides, 102" rear)</b>		
	Includes 11-0506, 11-1146, & 22-1006 (smooth)	1	44-0266
	Includes 11-0506, 11-1146, & 22-1016 (HD)	1	44-0248

Asy: 60" right flail, cutter assembly

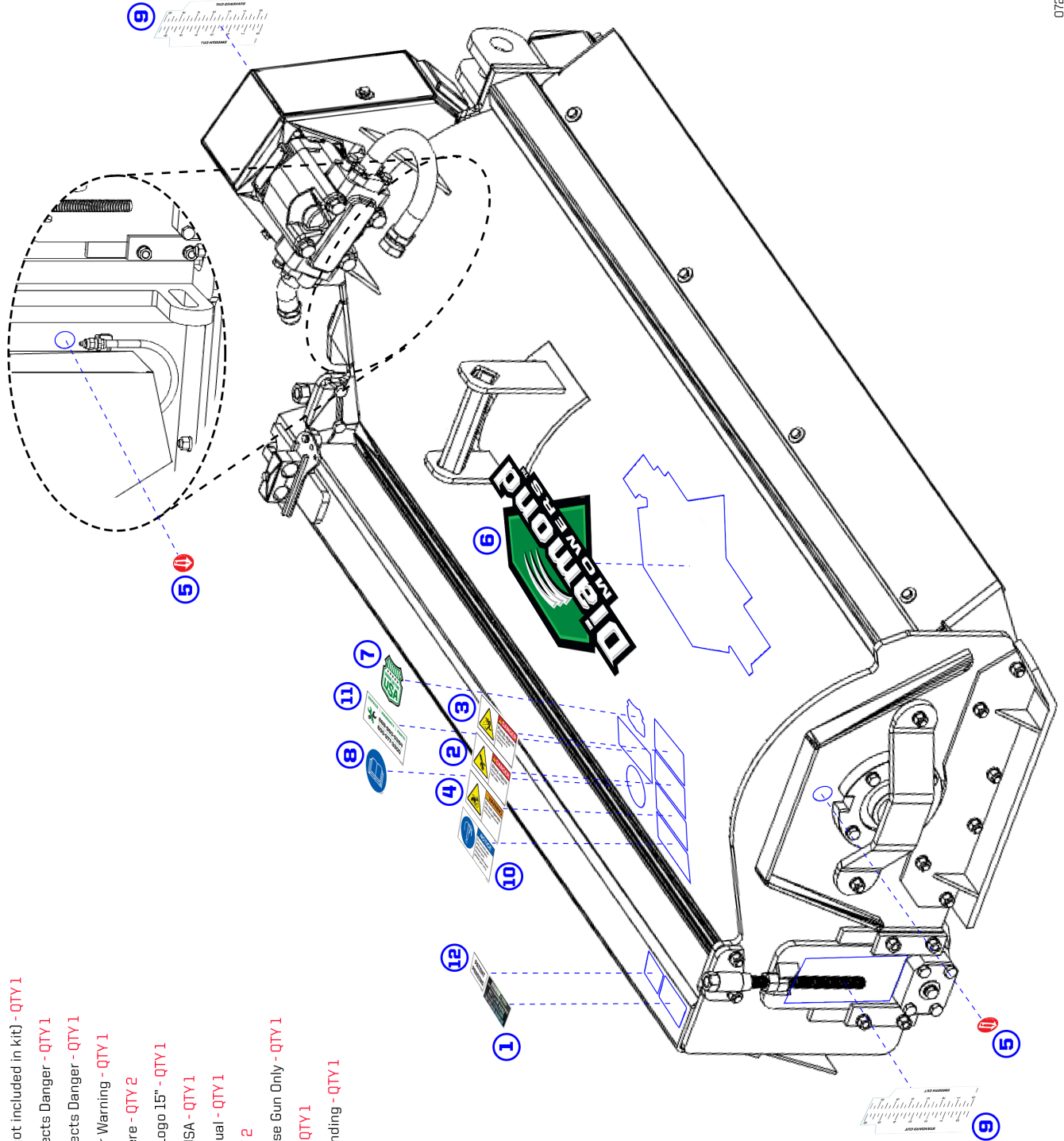
## SIDE HD FLAIL HEAD - 60" CUTTER ASSEMBLY, LEFT SIDE



REF#	PARTS DESCRIPTION	REQ	PART #
1	CUTTERSHAFT BEARING	2	10-0006
2	GROUND ROLLER BEARING ASSY	2	10-1051
3	3/8 LOCK WASHER	4	11-0005
4	3/8 FLAT WASHER	14	11-0009
5	1/2 LOCK WASHER	25	11-0011
6	1/2 FLAT WASHER GR 5	1	11-0018
7	1/2 H.S. LOCK WASHER	8	11-0036
8	KNIFE MOUNTING BOLT	32	11-0506
9	1/2 X 2 NC PLOW BOLT	8	11-0515
10	1/2 X 1-3/4 NC PLOW BOLT	3	11-0530
11	3/8 X 1 NC HEX CAPSCREW	4	11-0532
12	3/8 X 1-1/4 NC HEX CAPSCREW	10	11-0533
13	1/2 X 1-1/2 NC HEX CAPSCREW	5	11-0534
14	1/2 X 1-3/4 NC HEX CAPSCREW	16	11-0535
15	1/2 X 1 NC HEX CAP	1	11-0569
16	1/2 X 2 H.S. NF HEX CAPSCREW	8	11-0633
17	3/8 X 1 H.S. NC SKT HEAD	12	11-0752
18	3/8 NC HEX NUT	14	11-1001
19	3/4 - 6 ACME HEX NUT	2	11-1012
20	1/2 NC HEX NUT	24	11-1016
21	7/16 NYLOCK JAM NUT	32	11-1146
22	CLEVIS	32	11-1501
23	SHOULDER BOLT	1	11-2086
24	60" FLAP	1	18-0026
25	GREASE ZERK HOSE	1	21-0002
26	1/8" GREASE ZERK	2	23-0003
27	60" LEFT FLAIL BONNET	1	25-0042
28	GROUND ROLLER BLOCK	2	31-0563

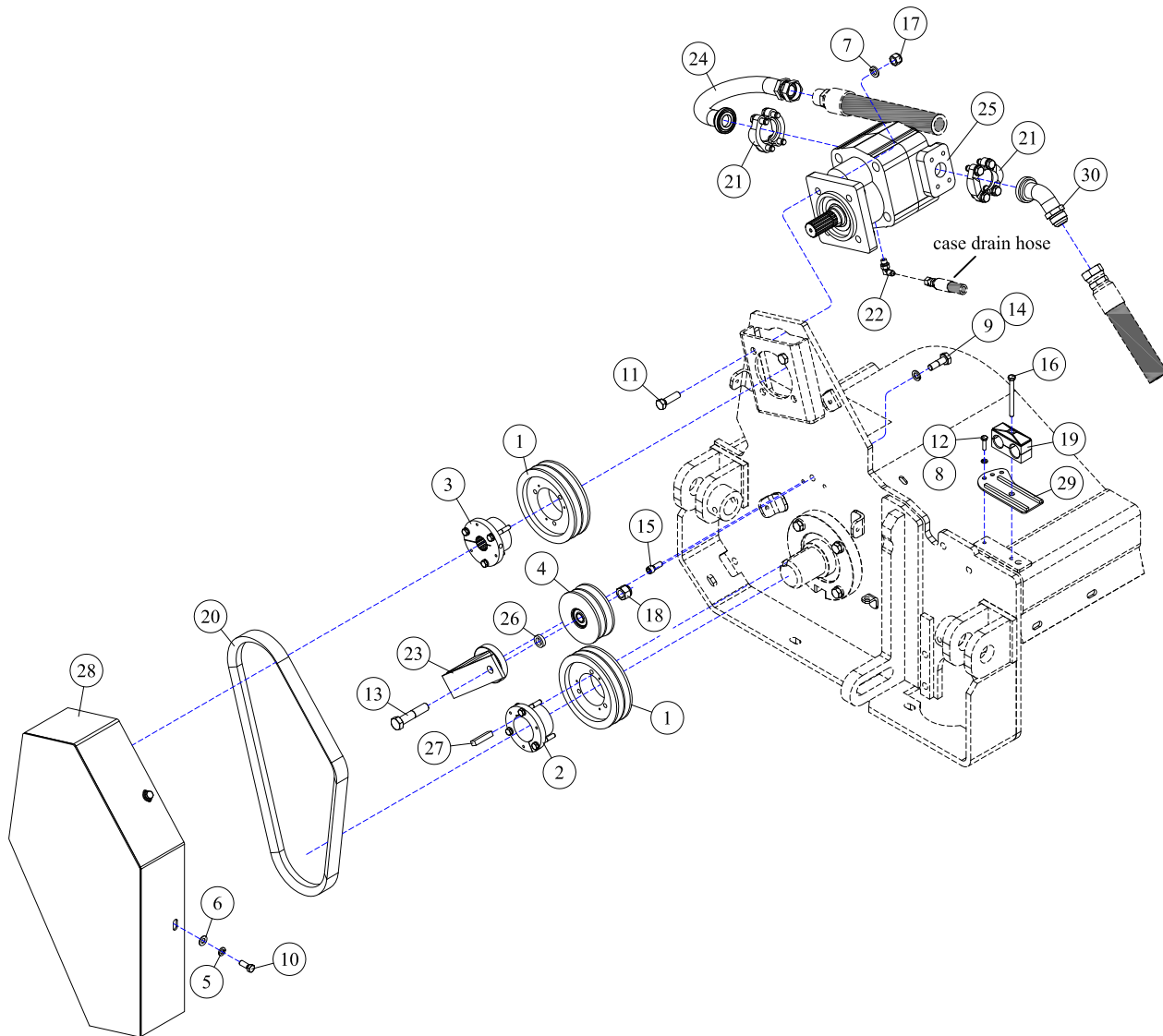
REF#	PARTS DESCRIPTION	REQ	PART #
29	LOCK PLATE	4	41-0003
30	ADJUSTMENT ROD INSIDE	1	41-0005
31	ADJUSTMENT ROD OUSIDE	1	41-0006
32	CUTTERSHAFT GUARD	1	41-0097
33	60" TRASH GUARD	1	41-0193
34	60" FLAP BAR	1	41-0194
35	GROUND ROLLER BRACKET	2	41-1501
36	OUTER SKID SHOE	1	42-0018
37	INNER SKID SHOE	1	42-0019
38	BEARING GUARD	4	46-0018
39	60" GROUND ROLLER	1	46-0050
40	1/8" BRASS COUPLER	1	9996
41	****CUTTER SHAFTS COMPLETE****		
	60" CUTTER SHAFT, SMOOTH CUT KNIVES	Opt.	46-1012
	60" CUTTER SHAFT, 3/16" HD KNIVES	1	46-1022
42	****FLAIL KNIVES****		
	SMOOTH CUT FLAIL KNIFE	32	22-1006
	3/6" HD FLAIL KNIFE	64	22-1016
43	<b>BLADE KITS</b>		
	<b>SIDE FLAIL ONLY</b>		
	Includes 11-0506, 11-1146, & 22-1006 (smooth)	1	44-0262
	Includes 11-0506, 11-1146, & 22-1016 (HD)	1	44-0241
	<b>TRIPLE FLAIL (60" sides, 102" rear)</b>		
	Includes 11-0506, 11-1146, & 22-1006 (smooth)	1	44-0266
	Includes 11-0506, 11-1146, & 22-1016 (HD)	1	44-0248

DECAL IDENTIFICATION - SIDE FLAIL



- ① SERIAL NUMBER LABEL - (not included in kit) - QTY 1
- ② PART #15-0001 - Sharp Objects Danger - QTY 1
- ③ PART #15-0002 - Flying Objects Danger - QTY 1
- ④ PART #15-0003 - Belt Cover Warning - QTY 1
- ⑤ PART #15-0005 - Grease Here - QTY 2
- ⑥ PART #15-0054 - Diamond Logo 15" - QTY 1
- ⑦ PART #15-0055 - Made In USA - QTY 1
- ⑧ PART #15-0058 - Read Manual - QTY 1
- ⑨ PART #15-1001 - Ruler - QTY 2
- ⑩ PART #15-1003 - Hand Grease Gun Only - QTY 1
- ⑪ PART #15-1016 - Warranty - QTY 1
- ⑫ PART #15-0067 - Patent Pending - QTY 1

## SIDE HD FLAIL HEAD - 60" DRIVE ASSEMBLY, RIGHT

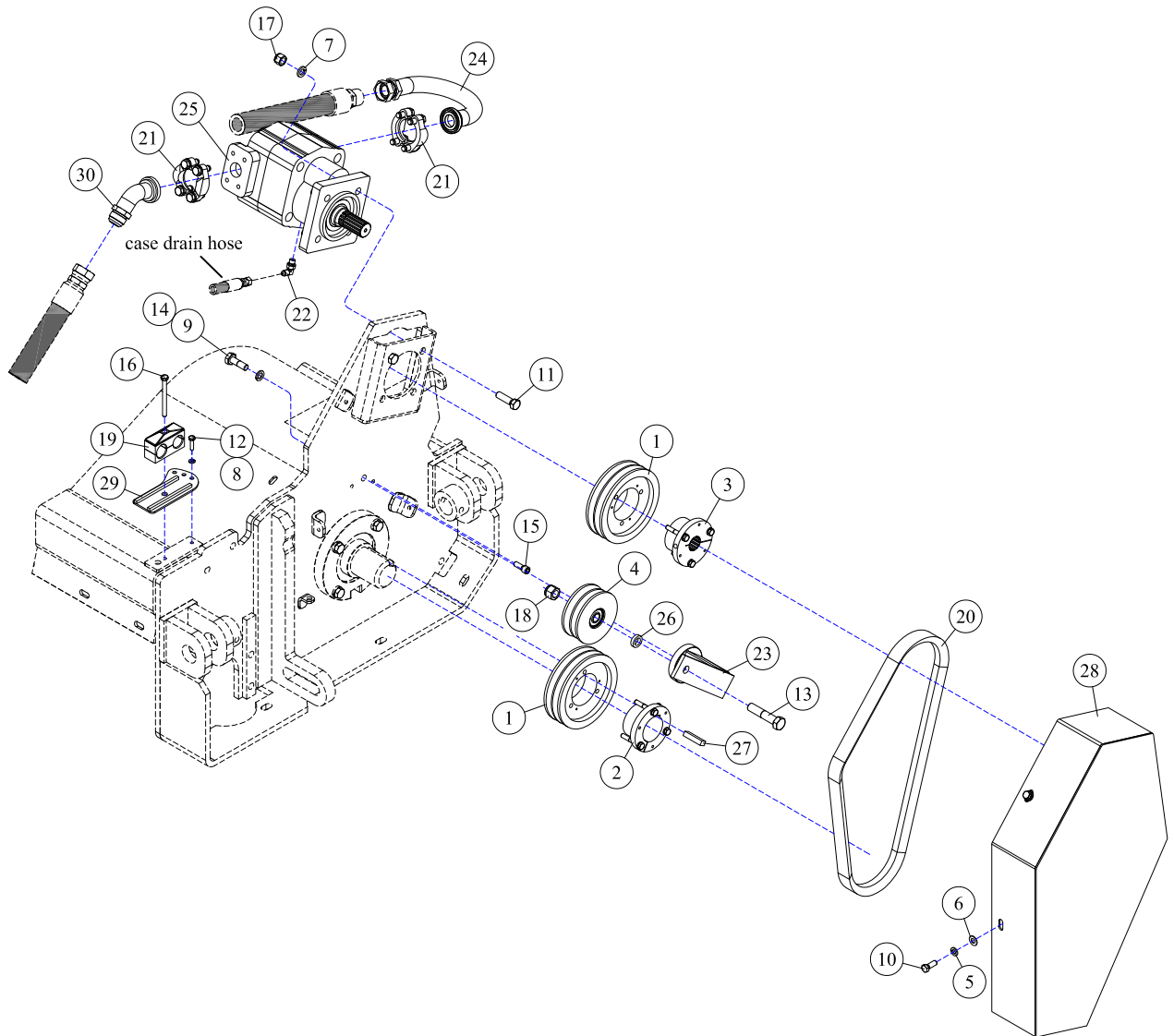


REF#	PARTS DESCRIPTION	REQ	PART #
1	PULLEY, 6.3"	2	10-1007
2	TAPERLOCK, 2-3/16"	1	10-1012
3	1-1/4" TAPERLOCK BUSHING	1	10-1010
4	IDLER PULLEY, 4.4"	1	10-1016
5	3/8 LOCK WASHER	4	11-0005
6	3/8 FLAT WASHER	4	11-0009
7	1/2 LOCK WASHER	4	11-0011
8	1/4 LOCK WASHER	1	11-0020
9	12 MM LOCK WASHER	1	11-0031
10	3/8 X 1 NC HEX CAPSCREW	4	11-0532
11	1/2 X 1-3/4 NC HEX CAPSCREW	4	11-0535
12	1/4 X 1 NC HEX CAP	1	11-0550
13	5/8 X 3 NC HEX CAPSCREW	1	11-0558
14	12 MM X 40 MM - 1.75 HEX CAPSCREW	1	11-0672
15	3/8 X 1 H.S. NC SOCKET HEAD CAPSCREW	1	11-0752

REF#	PARTS DESCRIPTION	REQ	PART #
16	5/16 X 3-1/2 NC HEX CAPSCREW	1	11-0782
17	1/2 NC NYLOCK NUT	4	11-1018
18	5/8 NC NYLOCK NUT	1	11-1025
19	1" DOUBLE HOSE CLAMP	1	11-2008
20	DRIVE BELT	1	12-0007
21	#20 FLANGE KIT	2	21-2105
22	1/4MORB-90DEG X 1/4MJIC, ADAPTER	1	21-1264
23	ROSTA TENSIONER	1	24-0081
24	TUBE	1	28-0014
25	MOTOR	1	30-0511
26	SPACER	1	34-0033
27	CUTTERSHAFT KEY	1	37-0021
28	BELT SHIELD	1	41-0430
29	FLAIL HOSE CLAMP	1	41-0643
30	#20FLGX 1MJIC-45DEG	1	21-1268



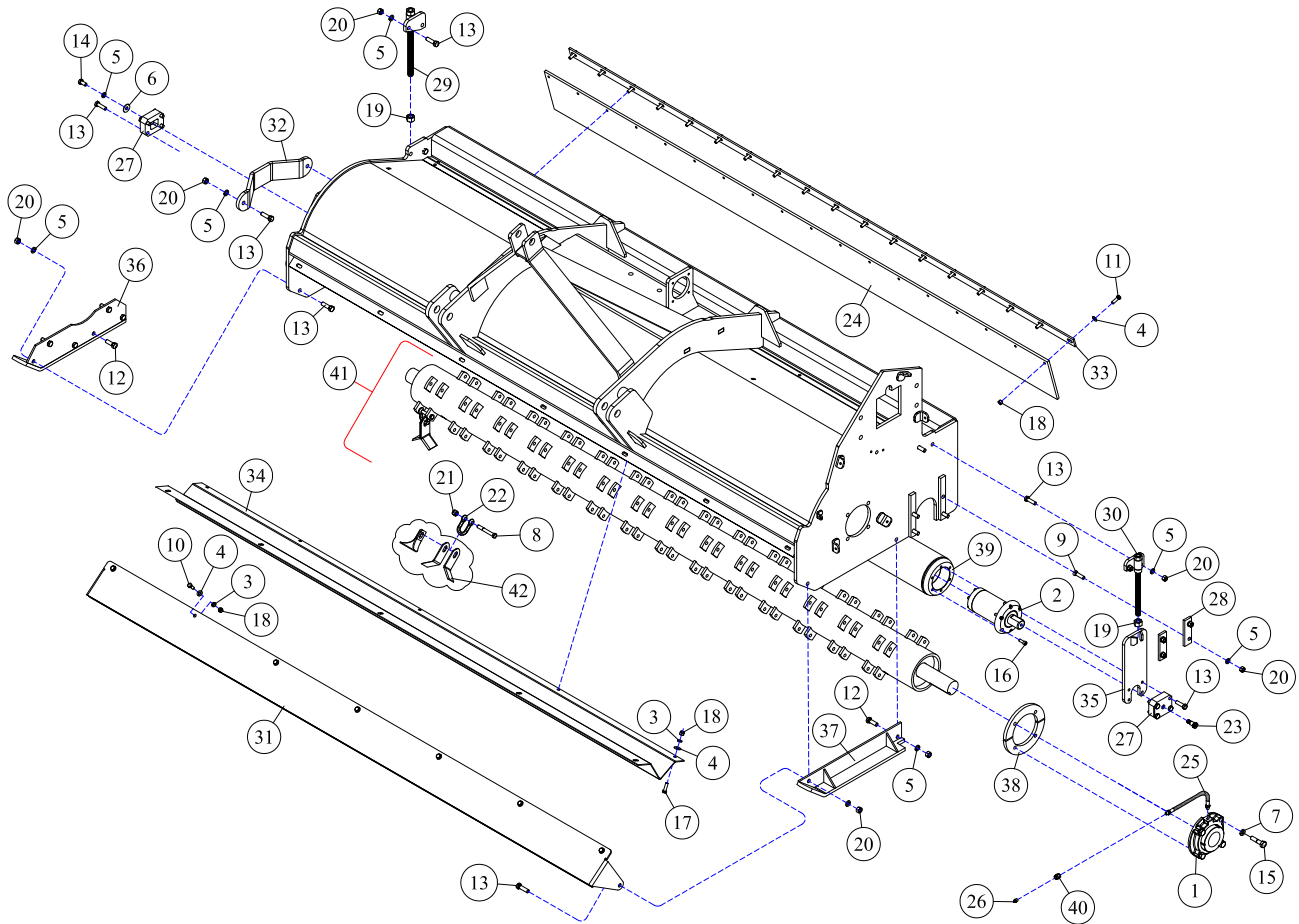
## SIDE HD FLAIL HEAD - 60" DRIVE ASSEMBLY, LEFT



REF#	PARTS DESCRIPTION	REQ	PART #
1	PULLEY, 6.3"	2	10-1007
2	TAPERLOCK, 2-3/16"	1	10-1012
3	1-1/4" TAPERLOCK BUSHING	1	10-1010
4	IDLER PULLEY, 4.4"	1	10-1016
5	3/8 LOCK WASHER	4	11-0005
6	3/8 FLAT WASHER	4	11-0009
7	1/2 LOCK WASHER	4	11-0011
8	1/4 LOCK WASHER	1	11-0020
9	12 MM LOCK WASHER	1	11-0031
10	3/8 X 1 NC HEX CAPSCREW	4	11-0532
11	1/2 X 1-3/4 NC HEX CAPSCREW	4	11-0535
12	1/4 X 1 NC HEX CAP	1	11-0550
13	5/8 X 3 NC HEX CAPSCREW	1	11-0558
14	12 MM X 40 MM - 1.75 HEX CAPSCREW	1	11-0672
15	3/8 X 1 H.S. NC SOCKET HEAD CAPSCREW	1	11-0752

REF#	PARTS DESCRIPTION	REQ	PART #
16	5/16 X 3-1/2 NC HEX CAPSCREW	1	11-0782
17	1/2 NC NYLOCK NUT	4	11-1018
18	5/8 NC NYLOCK NUT	1	11-1025
19	1" DOUBLE HOSE CLAMP	1	11-2008
20	DRIVE BELT	1	12-0007
21	#20 FLANGE KIT	2	21-2105
22	1/4MORB-90DEG X 1/4MJIC, ADAPTER	1	21-1264
23	ROSTA TENSIONER	1	24-0081
24	TUBE	1	28-0014
25	MOTOR	1	30-0511
26	SPACER	1	34-0033
27	CUTTERSHAFT KEY	1	37-0021
28	BELT SHIELD	1	41-0430
29	FLAIL HOSE CLAMP (INVERSE)	1	41-0644
30	#20FLGX 1MJIC-45DEG	1	21-1268

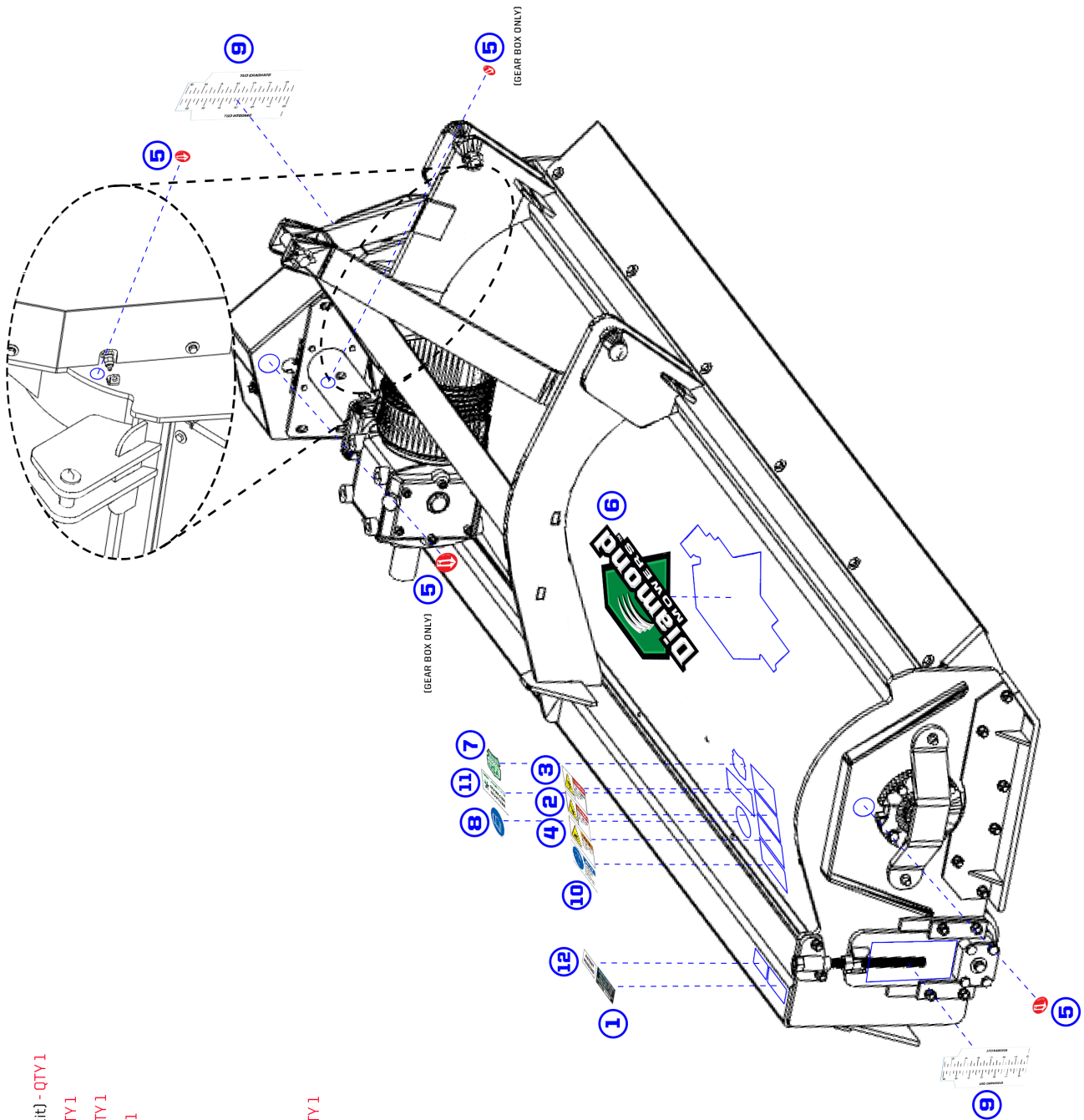
## REAR HD FLAIL HEAD - 102" CUTTER ASSEMBLY



REF#	PARTS DESCRIPTION	REQ	PART #
1	CUTTERSHAFT BEARING	2	10-0006
2	GROUND ROLLER BEARING ASSY	2	10-1051
3	3/8 LOCK WASHER	17	11-0005
4	3/8 FLAT WASHER	35	11-0009
5	1/2 LOCK WASHER	23	11-0011
6	1/2 FLAT WASHER GR 5	1	11-0018
7	1/2 H.S. LOCK WASHER	8	11-0036
8	KNIFE MOUNTING BOLT	56	11-0506
9	1/2 X 2 NC PLOW BOLT	8	11-0515
10	3/8 X 1 NC CAPSCREW	7	11-0532
11	3/8 X 1-1/4 NC CAPSCREW	18	11-0533
12	1/2 X 1-1/2 NC CAPSCREW	6	11-0534
13	1/2 X 1-3/4 NC HEX CAPSCREW	16	11-0535
14	1/2 X 1 NC HEX CAP	1	11-0569
15	1/2 X 2 H.S. NF CAPSCREW	8	11-0633
16	3/8 X 1 H.S. NC SKT HEAD	12	11-0752
17	3/8 X 1-1/4 NC CARRIAGE BOLT	10	11-0866
18	3/8 NC HEX NUT	35	11-1001
19	3/4 - 6 ACME HEX NUT	2	11-1012
20	1/2 NC HEX NUT	22	11-1016
21	7/16 NYLOCK JAM NUT	56	11-1146
22	CLEVIS	56	11-1501
23	SHOULDER BOLT	1	11-2086
24	102" FLAP	1	18-0012
25	GREASE ZERK HOSE	1	21-0002
26	1/8" GREASE ZERK	2	23-0003
27	GROUND ROLLER BLOCK	2	31-0563
28	LOCK PLATE	4	41-0003
29	ADJUSTMENT ROD RIGHT	1	41-0005
30	ADJUSTMENT ROD LEFT	1	41-0006
31	102" TRASH GUARD	1	41-0031

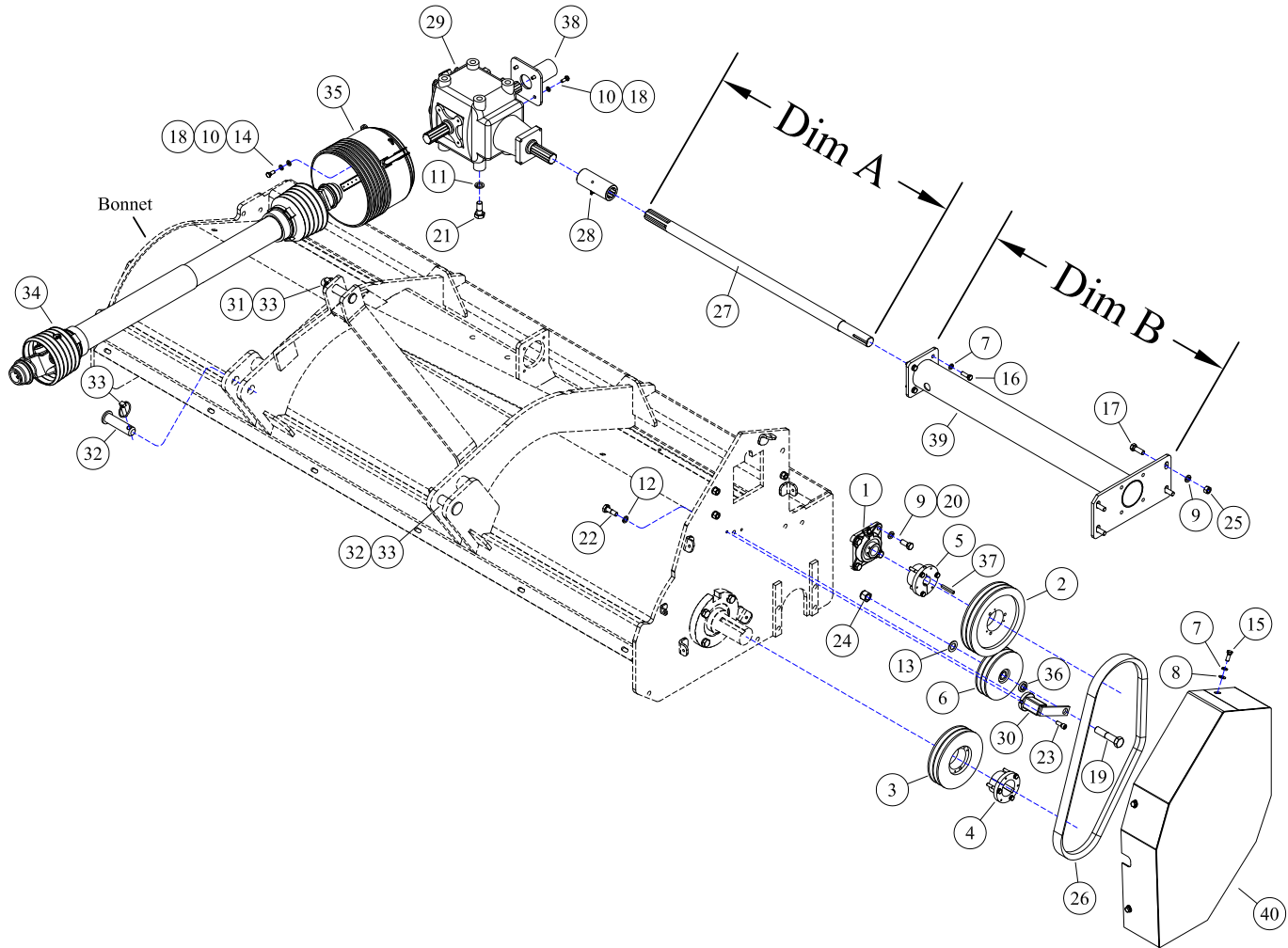
REF#	PARTS DESCRIPTION	REQ	PART #
32	CUTTERSHAFT GUARD	1	41-0097
33	102" FLAP BAR	1	41-0127
34	BAFFLE	1	41-0372
35	GROUND ROLLER BRACKET	2	41-1501
36	OUTER SKID SHOE	1	42-0010
37	INNER SKID SHOE	1	42-0015
38	BEARING GUARD	4	46-0018
39	102" GROUND ROLLER	1	46-0052
40	1/8" BRASS COUPLER	1	9996
41	****CUTTER SHAFTS COMPLETE****		
	102" CUTTER SHAFT, SMOOTH CUT KNIVES	Opt.	46-1014
	102" CUTTER SHAFT, 3/16" STD KNIVES	1	46-1016
42	****FLAIL KNIVES****		
	SMOOTH CUT FLAIL KNIFE	56	22-1006
	3/6" HD FLAIL KNIFE	112	22-1016
43	<b>BLADE KITS</b>		
	<b>REAR FLAIL ONLY</b>		
	Includes 11-0506, 11-1146, & 22-1006 (smooth)	1	44-0261
	Includes 11-0506, 11-1146, & 22-1016 (HD)	1	44-0244
	<b>TRIPLE FLAIL (60" sides, 102" rear)</b>		
	Includes 11-0506, 11-1146, & 22-1006 (smooth)	1	44-0266
	Includes 11-0506, 11-1146, & 22-1016 (HD)	1	44-0248
	<b>TRIPLE FLAIL (75" sides, 102" rear)</b>		
	Includes 11-0506, 11-1146, & 22-1006 (smooth)	1	44-0265
	Includes 11-0506, 11-1146, & 22-1016 (HD)	1	44-0249
	<b>TRIPLE FLAIL (90" sides, 102" rear)</b>		
	Includes 11-0506, 11-1146, & 22-1006 (smooth)	1	44-0264
	Includes 11-0506, 11-1146, & 22-1016 (HD)	1	44-0250

## DECAL IDENTIFICATION - REAR FLAIL



- 1 SERIAL NUMBER LABEL - (not included in kit) - QTY 1
- 2 PART #15-0001 - Sharp Objects Danger - QTY 1
- 3 PART #15-0002 - Flying Objects Danger - QTY 1
- 4 PART #15-0003 - Belt Cover Warning - QTY 1
- 5 PART #15-0005 - Grease Here - QTY 4
- 6 PART #15-0054 - Diamond Logo 15" - QTY 1
- 7 PART #15-0055 - Made In USA - QTY 1
- 8 PART #15-0058 - Read Manual - QTY 1
- 9 PART #15-1001 - Ruler - QTY 2
- 10 PART #15-1003 - Hand Grease Gun Only - QTY 1
- 11 PART #15-1016 - Warranty - QTY 1
- 12 PART #15-0067 - Patent Pending - QTY 1

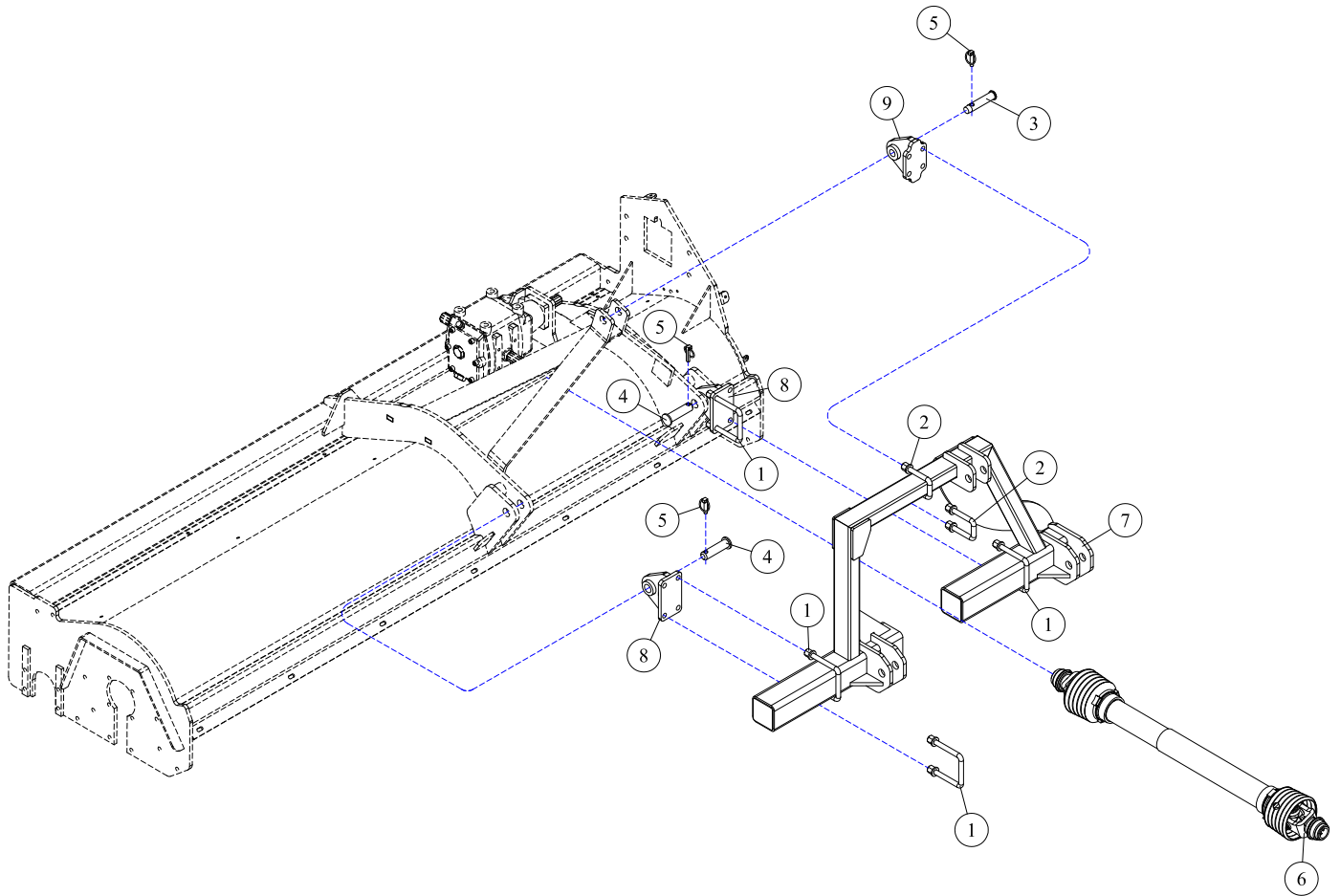
## REAR HD FLAIL HEAD - 102" DRIVE ASSEMBLY



REF#	PARTS DESCRIPTION	REQ	PART #
1	BEARING FLANGE	1	10-0002
2	8-1/2" PULLEY	1	10-1009
3	8" PULLEY	1	10-1011
4	2-3/16" TAPERLOCK BUSHING	1	10-1012
5	1-1/4" TAPERLOCK BUSHING	1	10-1018
6	IDLER PULLEY	1	10-1019
7	3/8 LOCK WASHER	9	11-0005
8	3/8 FLAT WASHER	5	11-0009
9	1/2 LOCK WASHER	8	11-0011
10	8MM LOCK WASHER	8	11-0021
11	16MM LOCK WASHER	4	11-0028
12	12MM LOCK WASHER	1	11-0031
13	3/4 H.S. FLAT WASHER	1	11-0039
14	8MM FLAT WASHER	4	11-0074
15	3/8 X 1 NC HEX CAPSCREW	5	11-0532
16	3/8 X 1-1/4 NC HEX CAPSCREW	4	11-0533
17	1/2 X 1-1/2 NC HEX CAPSCREW	4	11-0534
18	8MM X 20MM X 1.25 HEX CAPSCREW	8	11-0549
19	3/4 X 3-1/2 NC HEX CAPSCREW	1	11-0551
20	1/2 X 1-1/4 NC HEX CAPSCREW	4	11-0570
21	16MM X 40MM X 2.0 HEX CAPSCREW	4	11-0627
22	12MM X 40MM X 1.75 HEX CAPSCREW	1	11-0672
23	3/8 X 1 H.S. NC SKT HEAD CAPSCREW	1	11-0752
24	3/4 NC NYLOCK NUT	1	11-1006
25	1/2 NC HEX NUT	4	11-1016
26	DOUBLE V-BELT 630	1	12-0009
27	<b>OUTPUT SHAFT</b>		
	DIM A = 44"	1	13-1006

REF#	PARTS DESCRIPTION	REQ	PART #
	DIM A = 23"	1	13-1001
	DIM A = 37-5/16"	1	13-1010
	DIM A = 13"	1	13-1016
	DIM A = 19"	1	13-1049
	DIM A = 35"	1	13-1035
	DIM A = 28-1/4"	1	13-1048
	DIM A = 19"	1	13-1049
28	6 SPLINE COUPLER	1	13-1501
29	GEAR BOX	1	19-0020
30	ROSTA TENSIONER	1	24-0082
31	UPPER 3-POINT PIN	1	27-0007
32	LOWER 3-POINT PIN	2	27-0016
33	7/16 X 2 LYNCH PIN	3	27-1005
34	PTO DRIVE SHAFT	1	29-0003
35	INPUT CONNECTION SHIELD	1	29-0052
36	IDLER SPACER	1	34-0032
37	1/4" KEY	1	37-0002
38	INPUT PTO SHAFT GUARD	1	41-0130
39	<b>SHAFT GUARD</b>		
	DIM B = 42-1/4"	1	41-0321
	DIM B = 21-1/4"	1	41-0322
	DIM B = 35-1/2"	1	41-0323
	DIM B = 11-3/8"	1	41-0324
	DIM B = 27-1/4"	1	41-0349
	DIM B = 33"	1	41-0497
	DIM B = 26-3/16"	1	41-0736
	DIM B = 17-3/8"	1	41-0752
40	BELT GUARD	1	41-0434

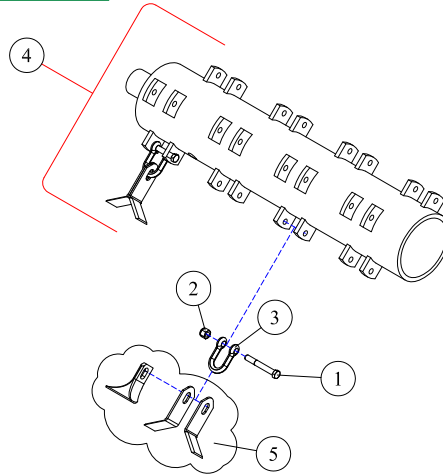
## REAR HD FLAIL HEAD - OFFSET KIT ASSEMBLY



REF#	PARTS DESCRIPTION	REQ	PART #
1	U-BOLT, 5-3/4 X 4-5/8 X 5/8	4	11-2062
2	U-BOLT, 4-3/4 X 2-3/4 X 5/8	2	11-2063
3	PIN (TOP)	1	27-0007
4	PIN (BOTTOM)	2	27-0016
5	LYNCH PIN	3	27-1005

REF#	PARTS DESCRIPTION	REQ	PART #
6	PTO SHAFT	1	29-0143
7	REAR BRACKET	1	41-1222
8	LOWER MOUNT	2	41-1223
9	UPPER MOUNT	1	41-1224

## HD FLAIL HEAD - BLADE CONFIGURATIONS

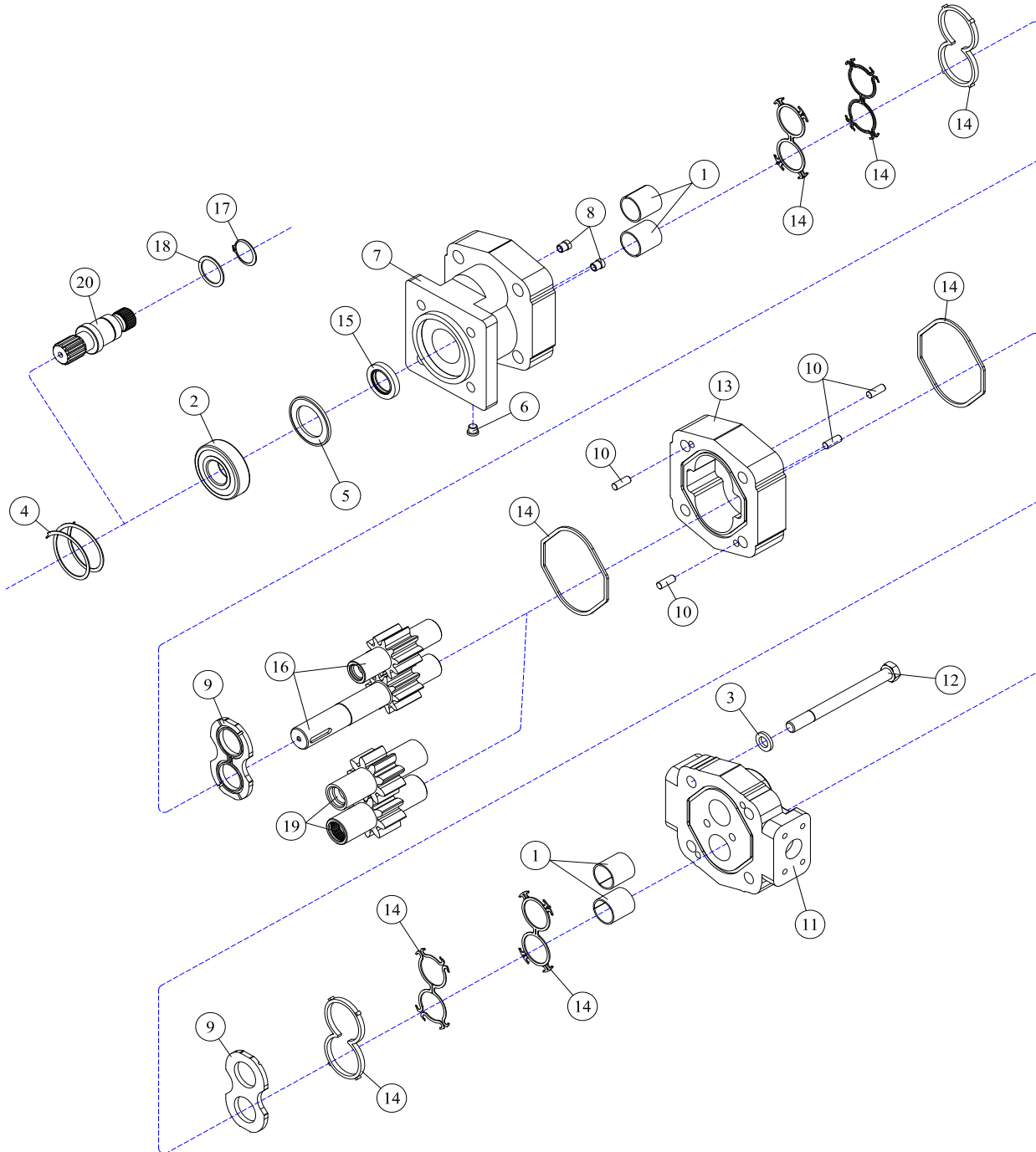


REF#	PARTS DESCRIPTION	REQ	PART #
<b><u>90" FLAIL</u></b>			
1	KNIFE MOUNTING BOLT	48	11-0506
2	7/16 NYLOCK JAM NUT	48	11-1146
3	CLEVIS	48	11-1501
4	****CUTTER SHAFTS COMPLETE****		
	90" CUTTER SHAFT, 1/8" STD KNIVES	Opt.	46-1000
	90" CUTTER SHAFT, SMOOTH CUT KNIVES	Opt.	46-1013
	90" CUTTER SHAFT, 3/16" STD KNIVES	1	46-1011
5	****FLAIL KNIVES****		
	1/8" STD FLAIL KNIFE	Avail.	22-1003
	SMOOTH CUT FLAIL KNIFE	Avail.	22-1006
	3/16" HD FLAIL KNIFE	Avail.	22-1016
<b><u>102" FLAIL</u></b>			
1	KNIFE MOUNTING BOLT	56	11-0506
2	7/16 NYLOCK JAM NUT	56	11-1146
3	CLEVIS	56	11-1501
4	****CUTTER SHAFTS COMPLETE****		
	102" CUTTER SHAFT, 1/8" STD KNIVES	Opt.	46-1007
	102" CUTTER SHAFT, SMOOTH CUT KNIVES	Opt.	46-1014
	102" CUTTER SHAFT, 3/16" STD KNIVES	1	46-1016
5	****FLAIL KNIVES****		
	1/8" STD FLAIL KNIFE	Avail.	22-1003
	SMOOTH CUT FLAIL KNIFE	Avail.	22-1006
	3/16" HD FLAIL KNIFE	Avail.	22-1016
<b><u>60" FLAIL</u></b>			
1	KNIFE MOUNTING BOLT	32	11-0506
2	7/16 NYLOCK JAM NUT	32	11-1146
3	CLEVIS	32	11-1501
4	****CUTTER SHAFTS COMPLETE****		
	60" CUTTER SHAFT, 1/8" STD KNIVES	Opt.	46-1008
	60" CUTTER SHAFT, SMOOTH CUT KNIVES	Opt.	46-1012
	60" CUTTER SHAFT, 3/16" HD KNIVES	1	46-1022
5	****FLAIL KNIVES****		
	1/8" STD FLAIL KNIFE	Avail.	22-1003
	SMOOTH CUT FLAIL KNIFE	Avail.	22-1006
	3/6" HD FLAIL KNIFE	Avail.	22-1016
<b><u>75" FLAIL</u></b>			
1	KNIFE MOUNTING BOLT	40	11-0506
2	7/16 NYLOCK JAM NUT	40	11-1146
3	CLEVIS	40	11-1501
4	****CUTTER SHAFTS COMPLETE****		
	75" CUTTER SHAFT, 1/8" STD KNIVES	Opt.	46-1005
	75" CUTTER SHAFT, SMOOTH CUT KNIVES	Opt.	46-1018
	75" CUTTER SHAFT, 3/16" HD KNIVES	1	46-1010
5	****FLAIL KNIVES****		
	1/8" STD FLAIL KNIFE	Avail.	22-1003
	SMOOTH CUT FLAIL KNIFE	Avail.	22-1006
	3/6" HD FLAIL KNIFE	Avail.	22-1016

# DECK ASSEMBLIES



**30-0511 - MOTOR ASSEMBLY**

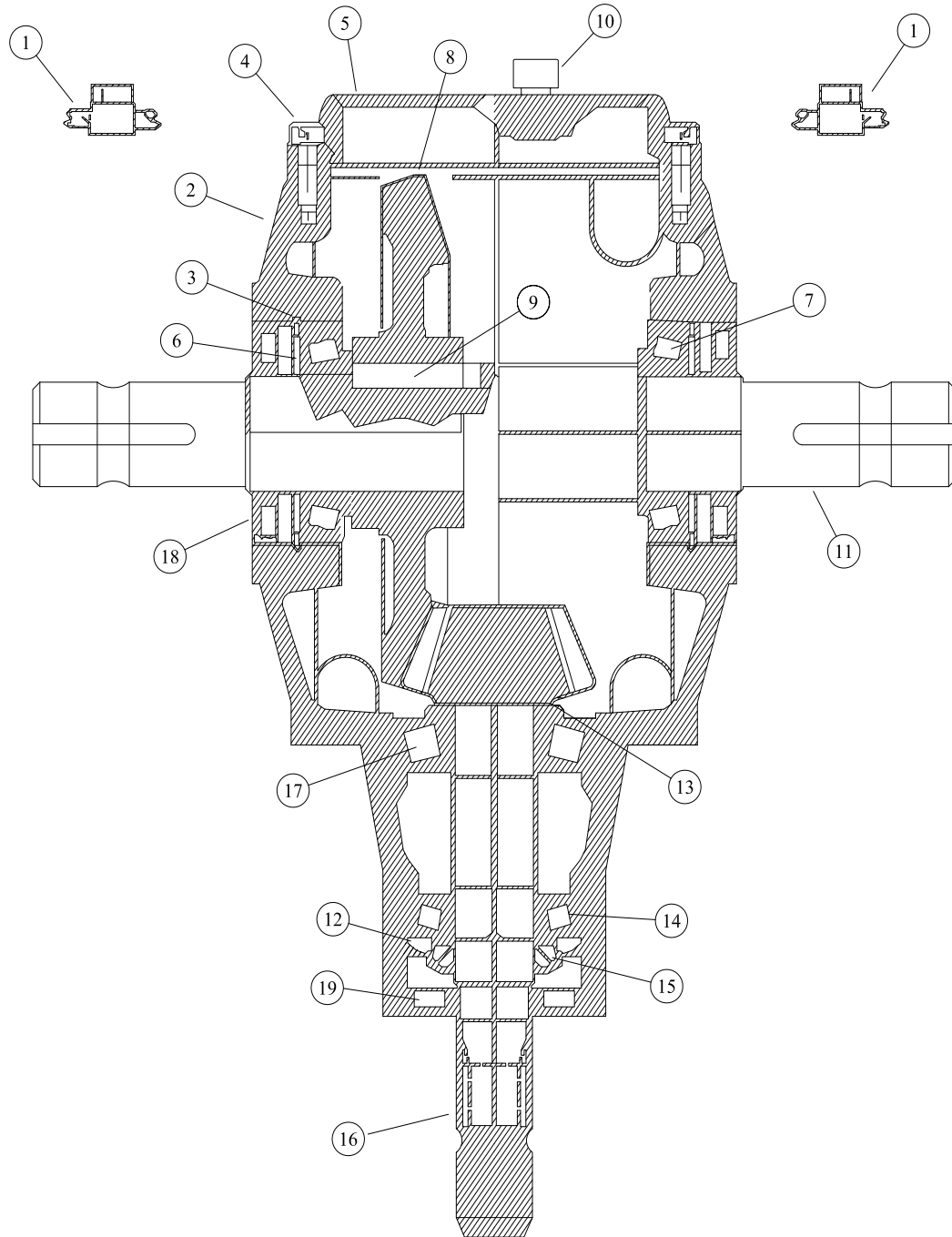


REF#	PARTS DESCRIPTION	REQ	PART #
1	BUSHING	4	30-1002
2	BALL BEARING	1	30-1044
3	WASHER	4	30-1071
4	SPIROLOCK	1	30-1094
5	RETAINING RING	1	30-1095
6	PLUG	1	30-1096
7	SHAFT END COVER	1	30-1097
8	CHECK ASSEMBLY	2	30-1098
9	THRUST PLATE	2	30-1100
10	DOWEL PIN	4	30-1102
11	PORT END COVER W/ BUSHINGS	1	30-1133
12	STUD	4	30-1134
13	GEAR HOUSING 1-3/4"	1	30-1208
14	<b>SEAL KIT</b>		
	SEAL KIT (integral shaft only) comes w/ 30-1162	1	30-1207

REF#	PARTS DESCRIPTION	REQ	PART #
	SEAL KIT (continental shaft only)	1	30-1211
15	<b>SHAFT SEAL</b>		
	<b>CONTINENTAL SHAFT ONLY:</b>		
	300 PSI (included in M350 seal kit)	1	30-1209
	<b>INTEGRAL SHAFT ONLY:</b>		
	500 PSI	1	30-1036
*	SHAFT TOOL (not shown) (required for install)	1	30-1162
	<b>GEAR SET OPTION A:</b>		
16	INTEGRAL SHAFT AND GEAR 1-3/4"	1	30-1024
	<b>GEAR SET OPTION B:</b>		
17	RETAINING RING	1	30-1019
18	WASHER	1	30-1020
19	2-1/4" GEAR SET	1	30-1025
20	CONTINENTAL SHAFT, SPLINED	1	30-1144



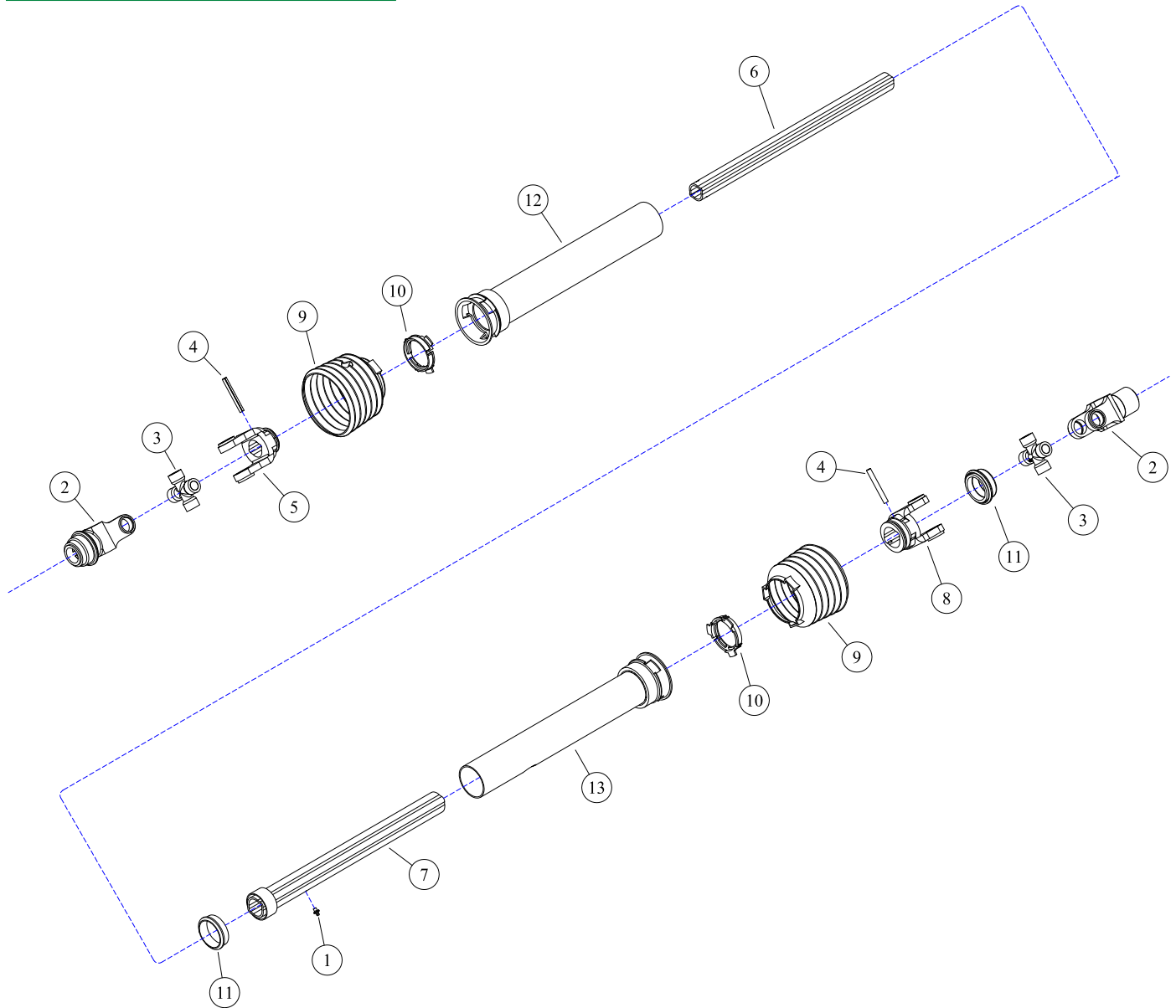
**19-0020 - GEAR BOX ASSEMBLY**



REF#	PARTS DESCRIPTION	REQ	PART #
1	PLUG 1/2" GAS	2	19-0001
2	GEAR BOX HOUSING	1	19-0017
3	SNAP RING	2	19-0022
4	8MM - 25MM BOLT	6	19-0023
5	GEAR BOX COVER	1	19-0024
6	SHIM	2	19-0025
7	BEARING	2	19-0026
8	GEAR	1	19-0027
9	PARALLEL KEY	1	19-0028
10	OIL FILL PLUG	1	19-0039

REF#	PARTS DESCRIPTION	REQ	PART #
11	SHAFT	1	19-0030
12	SPRING WASHER	1	19-0031
13	SHIM	1	19-0032
14	BEARING	1	19-0033
15	LOCK NUT	1	19-0034
16	PINION	1	19-0035
17	BEARING	1	19-0036
18	OIL SEAL	2	33-0007
19	DOUBLE LIP SEAL	1	33-0021

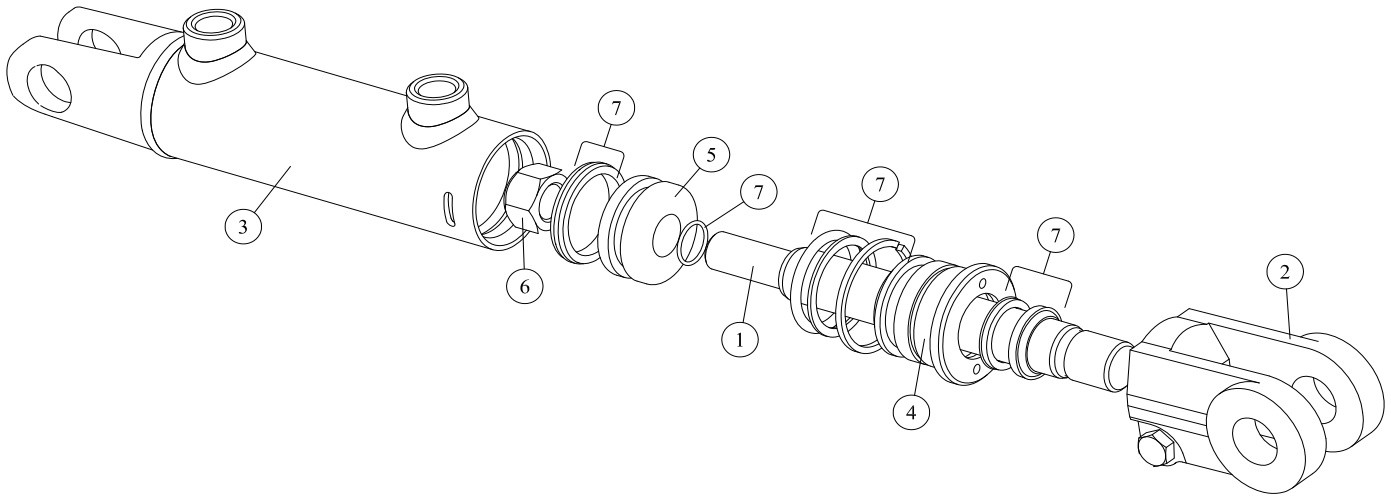
**29-0003 - DRIVE LINE ASSEMBLY**



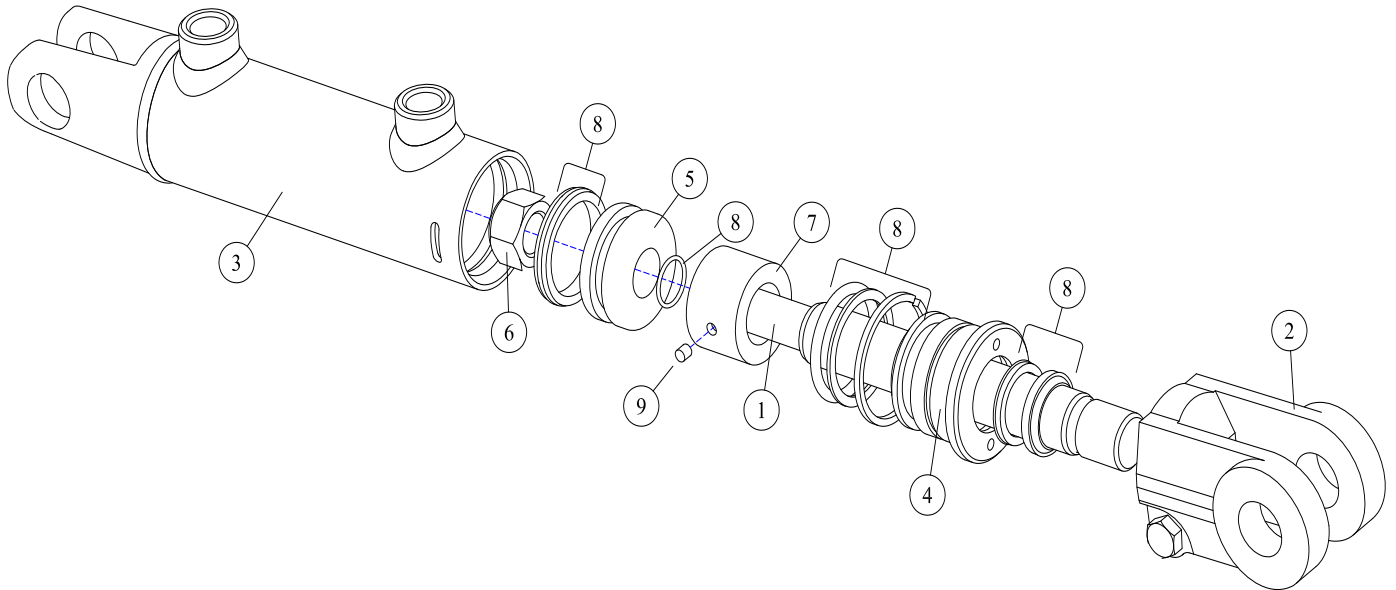
REF#	PARTS DESCRIPTION	REQ	PART #
1	ZERK	1	23-0004
2	YOKE 1-3/8" 6 SPLINE	2	29-0018
3	CROSS & BEARING KIT	2	29-0019
4	SPRING PIN	2	29-0020
5	INBOARD YOKE 1B	1	29-0021
6	INNER PROFILE	1	29-0022
7	PROFILE & SLEEVE	1	29-0023
8	INBOARD YOKE 2A	1	29-0024
9	SHIELD CONE	2	29-0025
10	BEARING RING	2	29-0026
11	SUPPORT BEARING	1	29-0027
12	OUTER SHIELD TUBE	1	29-0028
13	INNER SHIELD TUBE	1	29-0029
14	COLLAR REPAIR KIT	2	29-0030
15	PTO SHAFT COMPLETE	Avail	29-0003

# LIFT ASSEMBLIES



**14-0001 - 3X10 WELDED CYLINDER**

REF#	PARTS DESCRIPTION	REQ	PART #
1	PISTON ROD	1	14-1130
2	CLEVIS ASSEMBLY	1	14-1160
3	BUTT & TUBE ASSEMBLY	1	14-1140
4	GLAND	1	14-1155
5	PISTON	1	14-1150
6	LOCKNUT	1	14-1120
7	SEAL KIT	1	33-0038

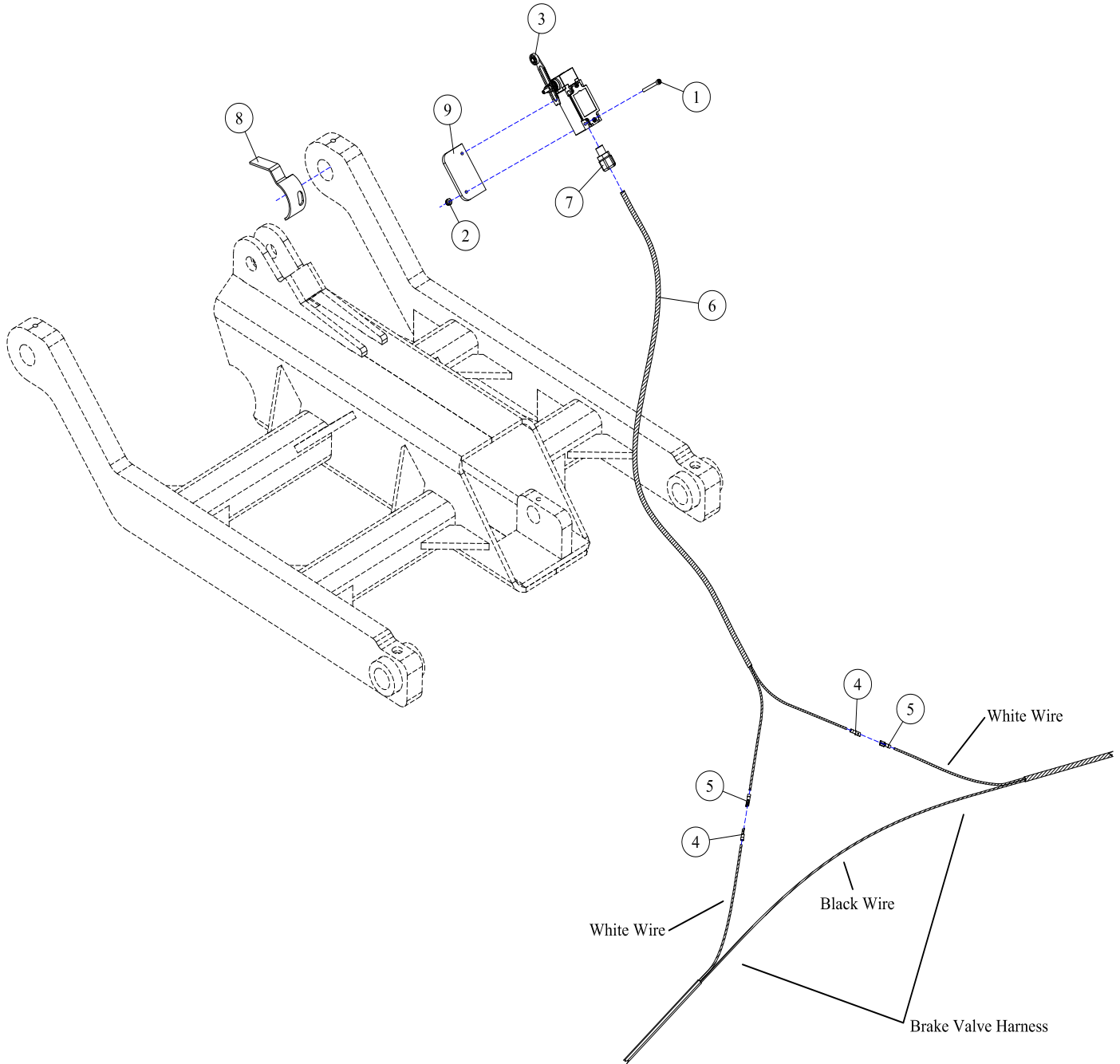
**14-0004 - 3X12 WELDED CYLINDER, SLUGGED**

REF#	PARTS DESCRIPTION	REQ	PART #
1	PISTON ROD	1	14-1131
2	CLEVIS ASSEMBLY	1	14-1160
3	BUTT & TUBE ASSEMBLY	1	14-1141
4	GLAND	1	14-1155
5	PISTON	1	14-1150
6	LOCKNUT	1	14-1120
7	SLUG	1	14-1191
8	SEAL KIT	1	33-0038
9	SET SCREW	1	11-2007

# **ELECTRICAL ASSEMBLIES**



**LIMIT SWITCH - DRAFT BEAM HEIGHT LIMITER**



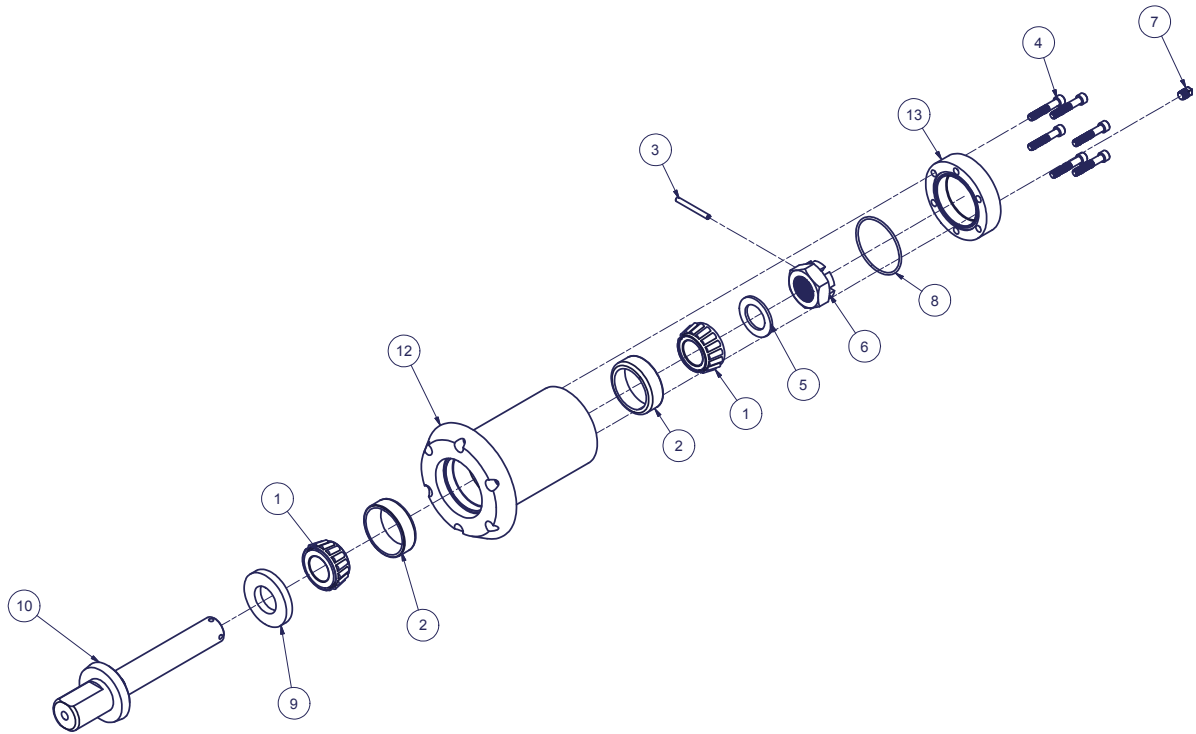
REF#	PARTS DESCRIPTION	REQ	PART #
1	#10 - 24 X 2 SHCS	2	11-0786
2	#10 - 24 NYLOCK NUT	2	11-1051
3	LIMIT SWITCH	1	16-0016
4	14-16GA MALE PUSH-ON CONNECTOR	2	16-0040
5	14-16GA FEMALE PUSH-ON CONNECTOR	2	16-0041
6	1/2 PRIMARY WIRE	Avail/ft	16-0042
7	3/8 CONDUIT STRAIN RELIEF	1	16-0043
8	<b>CAM TILT BRACKET</b>		
	LEFT	1	24-0039
	RIGHT	1	24-0040
9	LIMIT SWITCH PLATE	1	31-0023

# MISCELLANEOUS ASSEMBLIES





**BEARING - GROUND ROLLER, 10-1051**



REF#	PARTS DESCRIPTION	REQ	PART#	TORQUE (ft-lbs)	TORQUE (Nm)
1	TAPER BEARING	2	10-1049		
2	TAPER BEARING RACE	2	10-1050		
3	ROLL PIN	1	11-2006		
4	5/16 X 1-3/4 NC SHCS	6	11-2065	28.7	38.9
5	THRUST WASHER 2.00 OD X 1.26 ID	1	11-2067		
6	CASTLE NUT	1	11-2074		
7	1/8 NPT PLUG	1	21-1136		
8	O RING 2-7/8 OD	1	24-0273		
9	SEAL TCM 132713TC	1	33-0031		
10	ASSY GROUND ROLLER SHAFT	1	41-1533		
11	SERVICE KIT, GROUND ROLLER (NOT SHOWN)	1	44-0780		
12	GROUND ROLLER INSERT	1	90-7045		
13	GROUND ROLLER END CAP	1	90-7048		

10-1051 Rev 000



**100% SATISFACTION  
GUARANTEE**  
★ GET IT, LOVE IT, *or* LEAVE IT! ★

**72-HOUR PARTS  
SHIPPING GUARANTEE**