



# PARTS BOOK

## FLAIL HEADS

• 90"/102" GANG • MID-MOUNT • 5.10.18 •

DIAMOND MOWERS, LLC  
350 E 60<sup>th</sup> St. North  
Sioux Falls, SD 57104

FOR WARRANTY CALL DIAMOND MOWERS DIRECT:  
**888-960-0364**  
OUR TECHNICIANS WILL DIAGNOSE YOUR SITUATION  
OVER THE PHONE TO GET YOU UP AND RUNNING QUICKLY.

Phone: 605-977-3300  
Fax: 605-655-5870  
[www.diamondmowers.com](http://www.diamondmowers.com)

**DEMAND BRILLIANCE.**

© DIAMOND MOWERS, LLC



## Foreword

This manual contains the parts breakdown and identification of the various components and structures that make up your mower implement.

The illustrations, drawings, and diagrams in this manual are based on the latest information available at the time of publication. Your machine may have product improvements and features not yet contained in this parts manual.

Diamond Mowers, LLC reserves the right to make changes at any time without notice or obligation.

Diamond Mowers, LLC™ and Wetblade™ are trademarks of Diamond Mowers, LLC.

This manual should be consulted prior and while assembling the unit, and anytime parts or assembly clarification is needed.

### **Copyright© 2016 Diamond Mowers, LLC**

All rights reserved. While every precaution has been taken in the preparation of this manual, the publisher assumes no responsibility for errors or omissions. No part of this book covered by the copyrights hereon may be reproduced or copied in any form or by any means - graphic, electronic, or mechanical, including photocopying, taping, or information storage and retrieval systems - without written permission of the publisher.



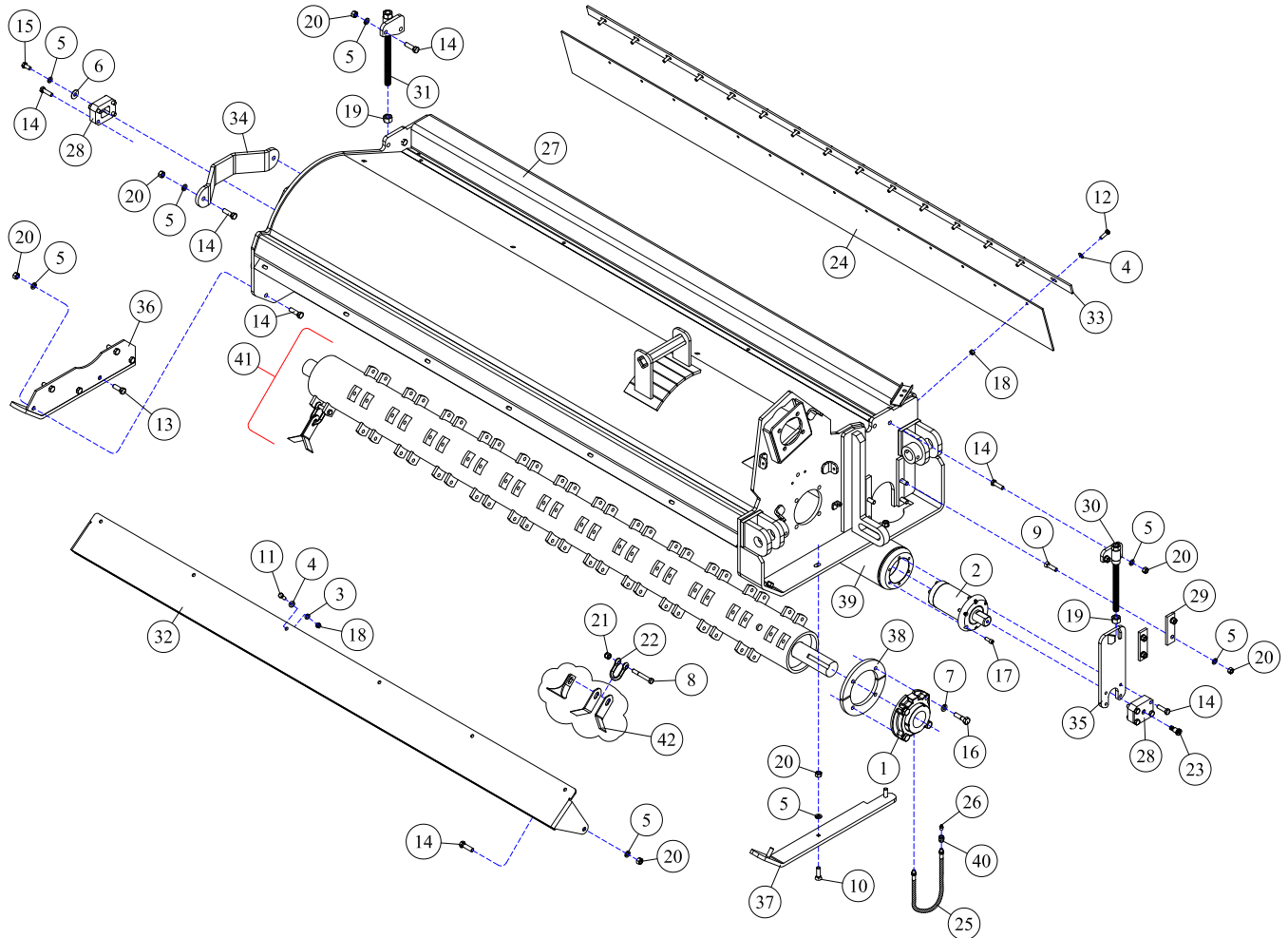
## Table of Contents

|   |    |
|---|----|
| <b>FLAIL HEADS</b> .....                                      | 4  |
| SIDE HD FLAIL HEAD - 90" CUTTER ASSEMBLY, RIGHT SIDE.....     | 5  |
| SIDE HD FLAIL HEAD - 90" CUTTER ASSEMBLY, LEFT SIDE.....      | 6  |
| DECAL IDENTIFICATION - SIDE FLAIL.....                        | 7  |
| SIDE HD FLAIL HEAD - 90" DRIVE ASSEMBLY, RIGHT.....           | 8  |
| SIDE HD FLAIL HEAD - 90" DRIVE ASSEMBLY, LEFT.....            | 9  |
| SIDE HD FLAIL HEAD - TRAVEL REST, SINGLE ACTING OUTBOARD..... | 10 |
| SIDE HD FLAIL HEAD - TRAVEL REST, DOUBLE ACTING OUTBOARD..... | 11 |
| REAR HD FLAIL HEAD - 102" CUTTER ASSEMBLY.....                | 12 |
| DECAL IDENTIFICATION - REAR FLAIL.....                        | 13 |
| REAR HD FLAIL HEAD - 102" DRIVE ASSEMBLY.....                 | 14 |
| REAR HD FLAIL HEAD - OFFSET KIT ASSEMBLY.....                 | 15 |
| HD FLAIL HEAD - BLADE CONFIGURATIONS.....                     | 16 |
| <b>DECK ASSEMBLIES</b> .....                                  | 17 |
| 30-0511 - MOTOR ASSEMBLY.....                                 | 18 |
| 19-0020 - GEAR BOX ASSEMBLY.....                              | 19 |
| 29-0003 - DRIVE LINE ASSEMBLY.....                            | 20 |
| <b>LIFT ASSEMBLIES</b> .....                                  | 21 |
| 14-0001 - 3X10 WELDED CYLINDER.....                           | 22 |
| 14-0004 - 3X12 WELDED CYLINDER, SLUGGED.....                  | 23 |
| <b>ELECTRICAL ASSEMBLIES</b> .....                            | 24 |
| LIMIT SWITCH - DRAFT BEAM HEIGHT LIMITER.....                 | 25 |
| <b>MISCELLANEOUS ASSEMBLIES</b> .....                         | 26 |
| BEARING - GROUND ROLLER, 10-1051.....                         | 27 |

# FLAIL HEADS



## SIDE HD FLAIL HEAD - 90" CUTTER ASSEMBLY, RIGHT SIDE

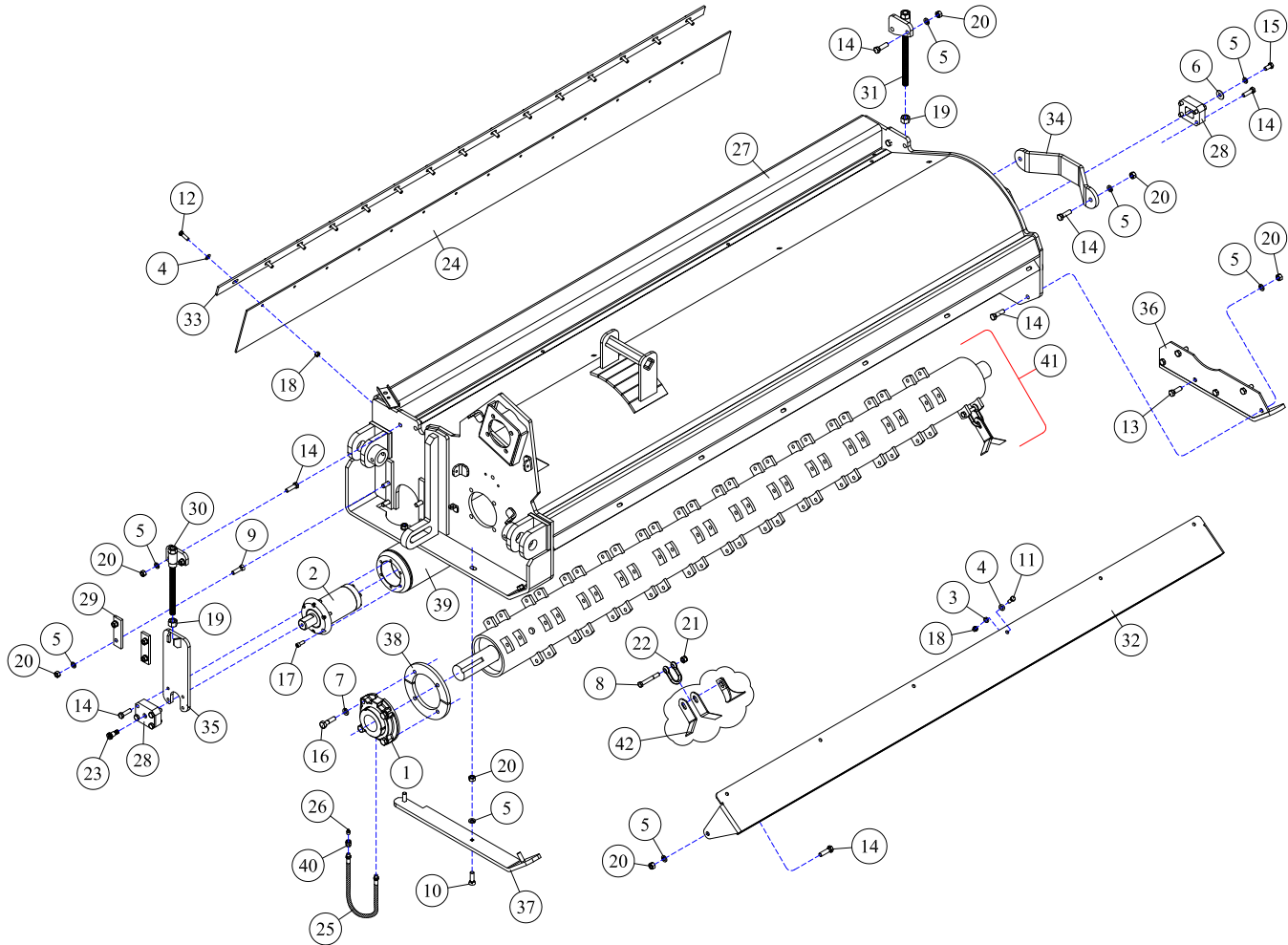


| REF# | PARTS DESCRIPTION            | REQ | PART #  |
|------|------------------------------|-----|---------|
| 1    | CUTTERSHAFT BEARING          | 2   | 10-0006 |
| 2    | GROUND ROLLER BEARING ASSY   | 2   | 10-1051 |
| 3    | 3/8 LOCK WASHER              | 6   | 11-0005 |
| 4    | 3/8 FLAT WASHER              | 21  | 11-0009 |
| 5    | 1/2 LOCK WASHER              | 25  | 11-0011 |
| 6    | 1/2 FLAT WASHER GR 5         | 1   | 11-0018 |
| 7    | 1/2 H.S. LOCK WASHER         | 8   | 11-0036 |
| 8    | KNIFE MOUNTING BOLT          | 48  | 11-0506 |
| 9    | 1/2 X 2 NC PLOW BOLT         | 8   | 11-0515 |
| 10   | 1/2 X 1-3/4 NC PLOW BOLT     | 3   | 11-0530 |
| 11   | 3/8 X 1 NC HEX CAPSCREW      | 6   | 11-0532 |
| 12   | 3/8 X 1-1/4 NC HEX CAPSCREW  | 15  | 11-0533 |
| 13   | 1/2 X 1-1/2 NC HEX CAPSCREW  | 5   | 11-0534 |
| 14   | 1/2 X 1-3/4 NC HEX CAPSCREW  | 16  | 11-0535 |
| 15   | 1/2 X 1 NC HEX CAP           | 1   | 11-0569 |
| 16   | 1/2 X 2 H.S. NF HEX CAPSCREW | 8   | 11-0633 |
| 17   | 3/8 X 1 H.S. NC SKT HEAD     | 12  | 11-0752 |
| 18   | 3/8 NC HEX NUT               | 21  | 11-1001 |
| 19   | 3/4 - 6 ACME HEX NUT         | 2   | 11-1012 |
| 20   | 1/2 NC HEX NUT               | 24  | 11-1016 |
| 21   | 7/16 NYLOCK JAM NUT          | 48  | 11-1146 |
| 22   | CLEVIS                       | 48  | 11-1501 |
| 23   | SHOULDER BOLT                | 1   | 11-2086 |
| 24   | 90" FLAP                     | 1   | 18-0014 |
| 25   | GREASE ZERK HOSE             | 1   | 21-0002 |
| 26   | 1/8" GREASE ZERK             | 2   | 23-0003 |
| 27   | 90" RIGHT FLAIL BONNET       | 1   | 25-0039 |
| 28   | GROUND ROLLER BLOCK          | 2   | 31-0563 |

| REF# | PARTS DESCRIPTION                             | REQ  | PART #  |
|------|---|------|---------|
| 29   | LOCK PLATE                                    | 4    | 41-0003 |
| 30   | ADJUSTMENT ROD INSIDE                         | 1    | 41-0005 |
| 31   | ADJUSTMENT ROD OUTSIDE                        | 1    | 41-0006 |
| 32   | 90" TRASH GUARD                               | 1    | 41-0190 |
| 33   | 90" FLAP BAR                                  | 1    | 41-0185 |
| 34   | CUTTERSHAFT GUARD                             | 1    | 41-0097 |
| 35   | GROUND ROLLER BRACKET                         | 2    | 41-1501 |
| 36   | OUTER SKID SHOE                               | 1    | 42-0010 |
| 37   | INNER SKID SHOE                               | 1    | 42-0013 |
| 38   | BEARING GUARD                                 | 4    | 46-0018 |
| 39   | 90" GROUND ROLLER                             | 1    | 46-0049 |
| 40   | 1/8" BRASS COUPLER                            | 1    | 9996    |
| 41   | ****CUTTER SHAFTS COMPLETE****                |      |         |
|      | 90" CUTTER SHAFT, SMOOTH CUT KNIVES           | Opt. | 46-1013 |
|      | 90" CUTTER SHAFT, 3/16" HD KNIVES             | 1    | 46-1011 |
| 42   | ****FLAIL KNIVES****                          |      |         |
|      | SMOOTH CUT FLAIL KNIFE                        | 48   | 22-1006 |
|      | 3/6" HD FLAIL KNIFE                           | 96   | 22-1016 |
| 43   | <b>BLADE KITS</b>                             |      |         |
|      | <b>SIDE FLAIL ONLY</b>                        |      |         |
|      | Includes 11-0506, 11-1146, & 22-1006 (smooth) | 1    | 44-0260 |
|      | Includes 11-0506, 11-1146, & 22-1016 (HD)     | 1    | 44-0243 |
|      | <b>TRIPLE FLAIL (90" sides, 102" rear)</b>    |      |         |
|      | Includes 11-0506, 11-1146, & 22-1006 (smooth) | 1    | 44-0264 |
|      | Includes 11-0506, 11-1146, & 22-1016 (HD)     | 1    | 44-0250 |

Asy: 90" right flail, cutter assembly

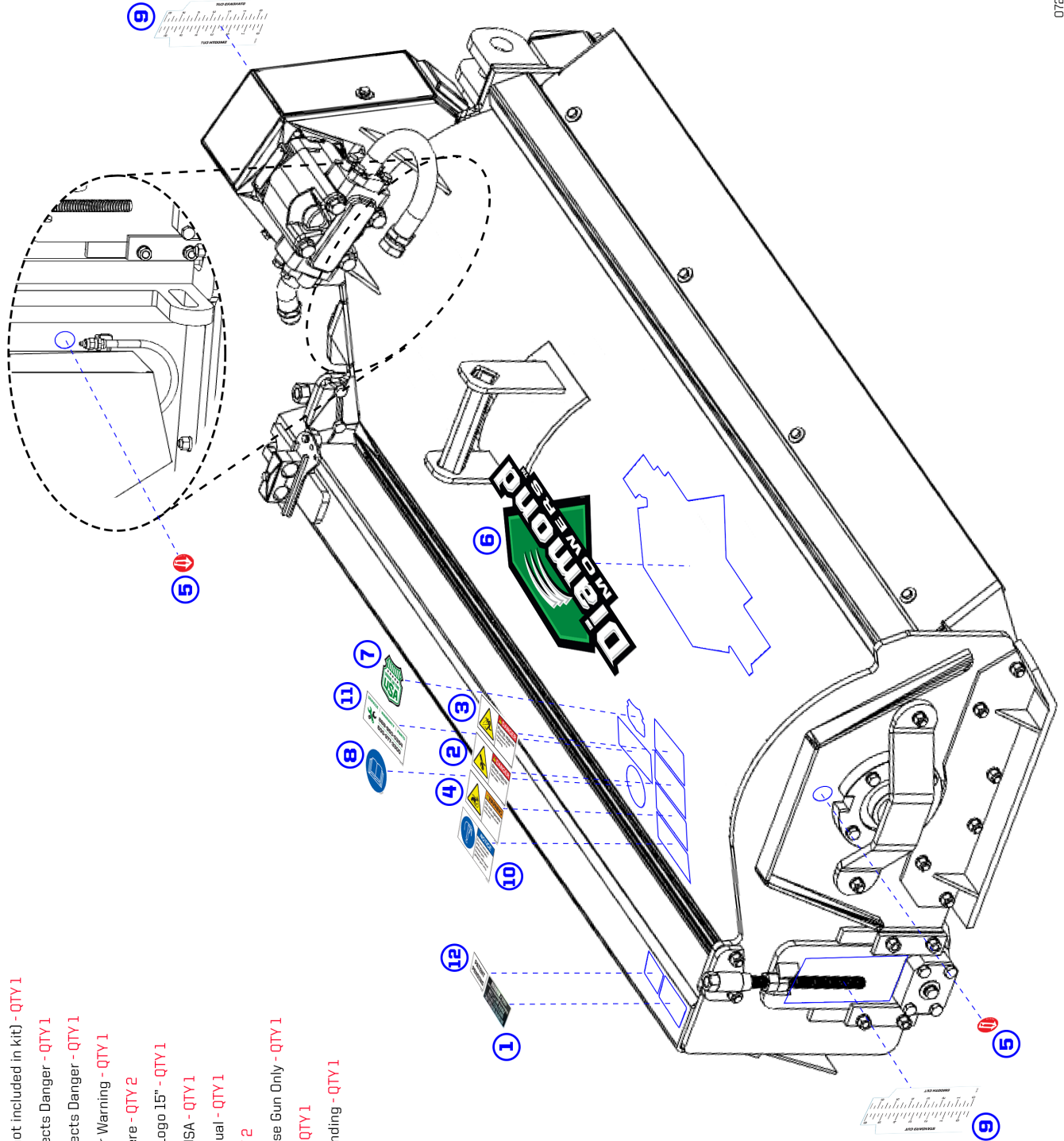
## SIDE HD FLAIL HEAD - 90" CUTTER ASSEMBLY, LEFT SIDE



| REF# | PARTS DESCRIPTION            | REQ | PART #  |
|------|------------------------------|-----|---------|
| 1    | CUTTERSHAFT BEARING          | 2   | 10-0006 |
| 2    | GROUND ROLLER BEARING ASSY   | 2   | 10-1051 |
| 3    | 3/8 LOCK WASHER              | 6   | 11-0005 |
| 4    | 3/8 FLAT WASHER              | 21  | 11-0009 |
| 5    | 1/2 LOCK WASHER              | 25  | 11-0011 |
| 6    | 1/2 FLAT WASHER GR 5         | 1   | 11-0018 |
| 7    | 1/2 H.S. LOCK WASHER         | 8   | 11-0036 |
| 8    | KNIFE MOUNTING BOLT          | 48  | 11-0506 |
| 9    | 1/2 X 2 NC PLOW BOLT         | 8   | 11-0515 |
| 10   | 1/2 X 1-3/4 NC PLOW BOLT     | 3   | 11-0530 |
| 11   | 3/8 X 1 NC HEX CAPSCREW      | 6   | 11-0532 |
| 12   | 3/8 X 1-1/4 NC HEX CAPSCREW  | 15  | 11-0533 |
| 13   | 1/2 X 1-1/2 NC HEX CAPSCREW  | 5   | 11-0534 |
| 14   | 1/2 X 1-3/4 NC HEX CAPSCREW  | 16  | 11-0535 |
| 15   | 1/2 X 1 NC HEX CAP           | 1   | 11-0569 |
| 16   | 1/2 X 2 H.S. NF HEX CAPSCREW | 8   | 11-0633 |
| 17   | 3/8 X 1 H.S. NC SKT HEAD     | 12  | 11-0752 |
| 18   | 3/8 NC HEX NUT               | 21  | 11-1001 |
| 19   | 3/4 - 6 ACME HEX NUT         | 2   | 11-1012 |
| 20   | 1/2 NC HEX NUT               | 24  | 11-1016 |
| 21   | 7/16 NYLOCK JAM NUT          | 48  | 11-1146 |
| 22   | CLEVIS                       | 48  | 11-1501 |
| 23   | SHOULDER BOLT                | 1   | 11-2086 |
| 24   | 90" FLAP                     | 1   | 18-0014 |
| 25   | GREASE ZERK HOSE             | 1   | 21-0002 |
| 26   | 1/8" GREASE ZERK             | 2   | 23-0003 |
| 27   | 90" LEFT FLAIL BONNET        | 1   | 25-0040 |
| 28   | GROUND ROLLER BLOCK          | 2   | 31-0563 |

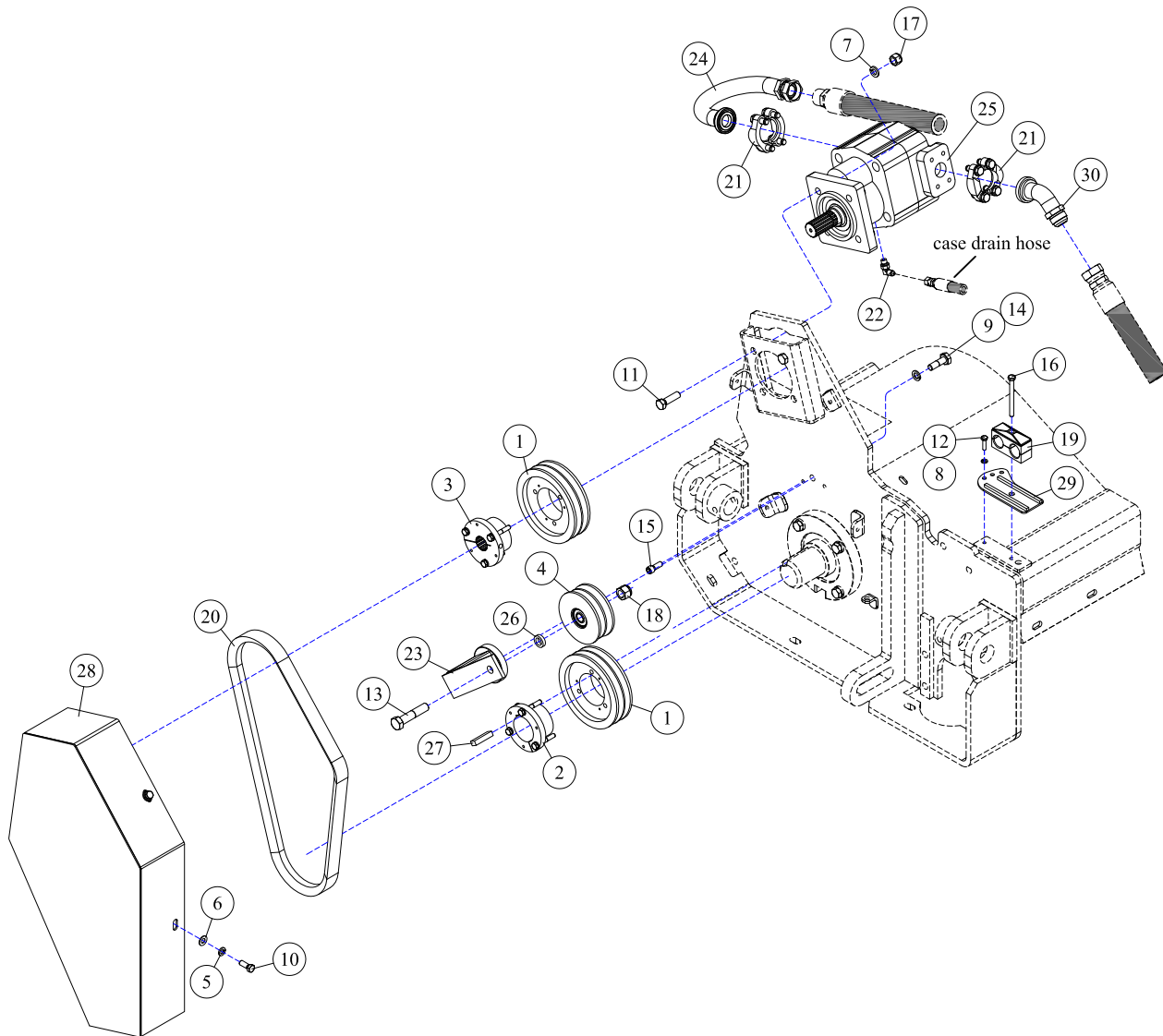
| REF# | PARTS DESCRIPTION                             | REQ  | PART #  |
|------|---|------|---------|
| 29   | LOCK PLATE                                    | 4    | 41-0003 |
| 30   | ADJUSTMENT ROD INSIDE                         | 1    | 41-0005 |
| 31   | ADJUSTMENT ROD OUTSIDE                        | 1    | 41-0006 |
| 32   | 90" TRASH GUARD                               | 1    | 41-0190 |
| 33   | 90" FLAP BAR                                  | 1    | 41-0185 |
| 34   | CUTTERSHAFT GUARD                             | 1    | 41-0097 |
| 35   | GROUND ROLLER BRACKET                         | 2    | 41-1501 |
| 36   | OUTER SKID SHOE                               | 1    | 42-0018 |
| 37   | INNER SKID SHOE                               | 1    | 42-0019 |
| 38   | BEARING GUARD                                 | 4    | 46-0018 |
| 39   | 90" GROUND ROLLER                             | 1    | 46-0049 |
| 40   | 1/8" BRASS COUPLER                            | 1    | 9996    |
| 41   | ****CUTTER SHAFTS COMPLETE****                |      |         |
|      | 90" CUTTER SHAFT, SMOOTH CUT KNIVES           | Opt. | 46-1013 |
|      | 90" CUTTER SHAFT, 3/16" HD KNIVES             | 1    | 46-1011 |
| 42   | ****FLAIL KNIVES****                          |      |         |
|      | SMOOTH CUT FLAIL KNIFE                        | 48   | 22-1006 |
|      | 3/6" HD FLAIL KNIFE                           | 96   | 22-1016 |
| 43   | <b>BLADE KITS</b>                             |      |         |
|      | <b>SIDE FLAIL ONLY</b>                        |      |         |
|      | Includes 11-0506, 11-1146, & 22-1006 (smooth) | 1    | 44-0260 |
|      | Includes 11-0506, 11-1146, & 22-1016 (HD)     | 1    | 44-0243 |
|      | <b>TRIPLE FLAIL (90" sides, 102" rear)</b>    |      |         |
|      | Includes 11-0506, 11-1146, & 22-1006 (smooth) | 1    | 44-0264 |
|      | Includes 11-0506, 11-1146, & 22-1016 (HD)     | 1    | 44-0250 |

DECAL IDENTIFICATION - SIDE FLAIL



- 1 SERIAL NUMBER LABEL - (not included in kit) - QTY 1
- 2 PART #15-0001 - Sharp Objects Danger - QTY 1
- 3 PART #15-0002 - Flying Objects Danger - QTY 1
- 4 PART #15-0003 - Belt Cover Warning - QTY 1
- 5 PART #15-0005 - Grease Here - QTY 2
- 6 PART #15-0054 - Diamond Logo 15" - QTY 1
- 7 PART #15-0055 - Made In USA - QTY 1
- 8 PART #15-0058 - Read Manual - QTY 1
- 9 PART #15-1001 - Ruler - QTY 2
- 10 PART #15-1003 - Hand Grease Gun Only - QTY 1
- 11 PART #15-1016 - Warranty - QTY 1
- 12 PART #15-0067 - Patent Pending - QTY 1

## SIDE HD FLAIL HEAD - 90" DRIVE ASSEMBLY, RIGHT

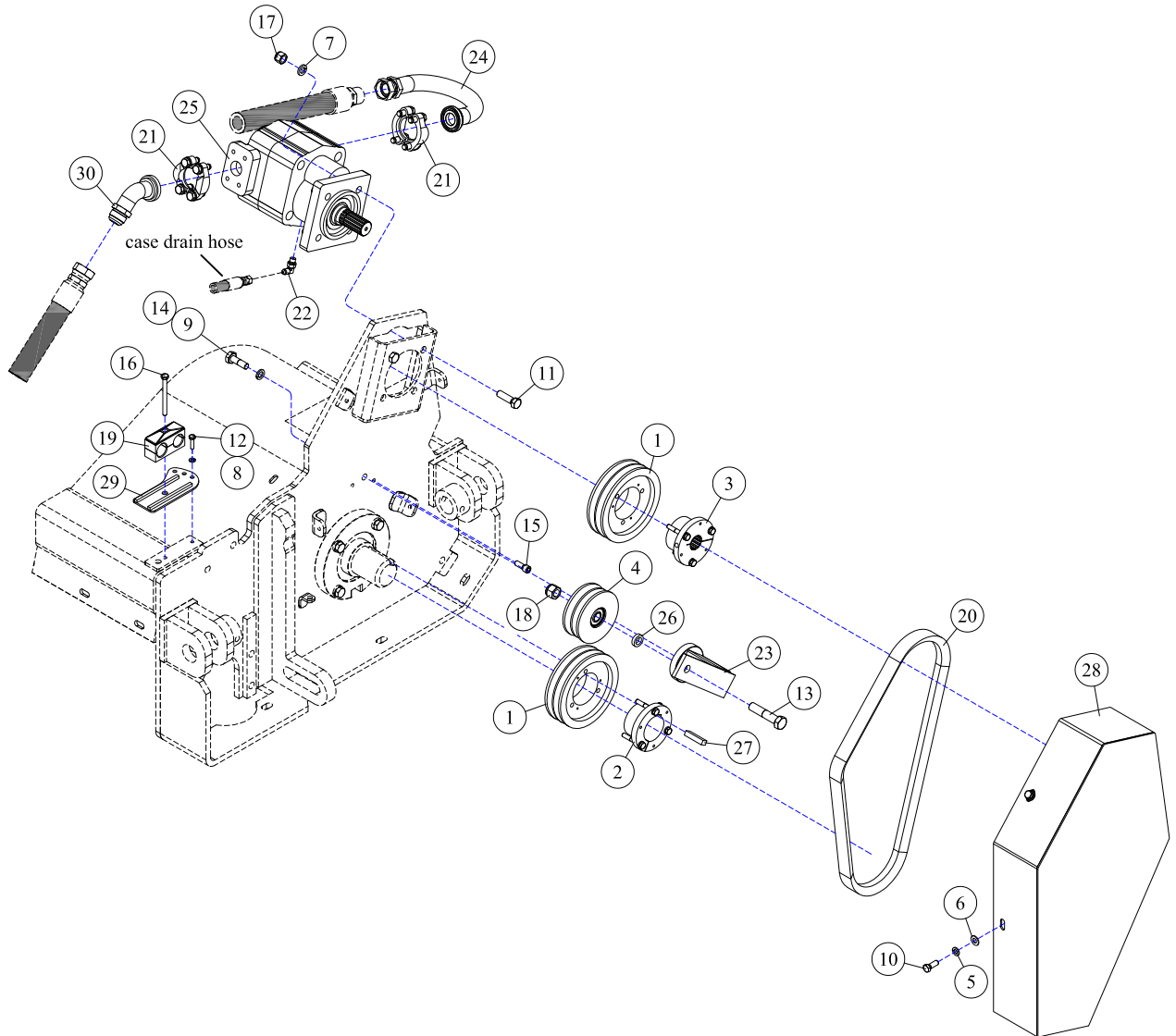


| REF# | PARTS DESCRIPTION                    | REQ | PART #  |
|------|--------------------------------------|-----|---------|
| 1    | PULLEY, 6.3"                         | 2   | 10-1007 |
| 2    | TAPERLOCK, 2-3/16"                   | 1   | 10-1012 |
| 3    | 1-1/4" TAPERLOCK BUSHING             | 1   | 10-1010 |
| 4    | IDLER PULLEY, 4.4"                   | 1   | 10-1016 |
| 5    | 3/8 LOCK WASHER                      | 4   | 11-0005 |
| 6    | 3/8 FLAT WASHER                      | 4   | 11-0009 |
| 7    | 1/2 LOCK WASHER                      | 4   | 11-0011 |
| 8    | 1/4 LOCK WASHER                      | 1   | 11-0020 |
| 9    | 12 MM LOCK WASHER                    | 1   | 11-0031 |
| 10   | 3/8 X 1 NC HEX CAPSCREW              | 4   | 11-0532 |
| 11   | 1/2 X 1-3/4 NC HEX CAPSCREW          | 4   | 11-0535 |
| 12   | 1/4 X 1 NC HEX CAP                   | 1   | 11-0550 |
| 13   | 5/8 X 3 NC HEX CAPSCREW              | 1   | 11-0558 |
| 14   | 12 MM X 40 MM - 1.75 HEX CAPSCREW    | 1   | 11-0672 |
| 15   | 3/8 X 1 H.S. NC SOCKET HEAD CAPSCREW | 1   | 11-0752 |

| REF# | PARTS DESCRIPTION                | REQ | PART #  |
|------|----------------------------------|-----|---------|
| 16   | 5/16 X 3-1/2 NC HEX CAPSCREW     | 1   | 11-0782 |
| 17   | 1/2 NC NYLOCK NUT                | 4   | 11-1018 |
| 18   | 5/8 NC NYLOCK NUT                | 1   | 11-1025 |
| 19   | 1" DOUBLE HOSE CLAMP             | 1   | 11-2008 |
| 20   | DRIVE BELT                       | 1   | 12-0007 |
| 21   | #20 FLANGE KIT                   | 2   | 21-2105 |
| 22   | 1/4MORB-90DEG X 1/4MJIC, ADAPTER | 1   | 21-1264 |
| 23   | ROSTA TENSIONER                  | 1   | 24-0081 |
| 24   | TUBE                             | 1   | 28-0014 |
| 25   | MOTOR                            | 1   | 30-0511 |
| 26   | SPACER                           | 1   | 34-0033 |
| 27   | CUTTERSHAFT KEY                  | 1   | 37-0021 |
| 28   | BELT SHIELD                      | 1   | 41-0430 |
| 29   | FLAIL HOSE CLAMP                 | 1   | 41-0643 |
| 30   | #20FLGX 1MJIC-45DEG              | 1   | 21-1268 |



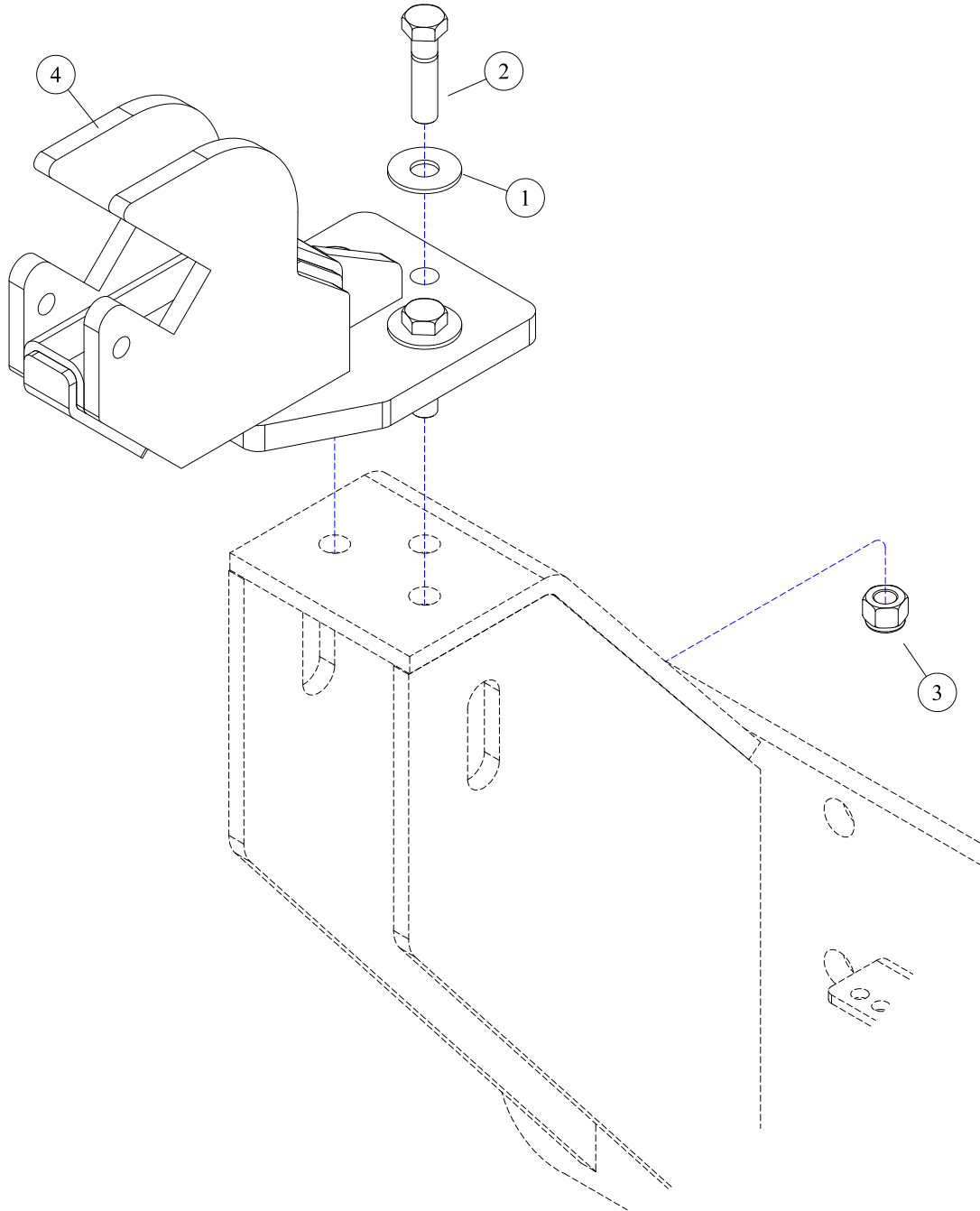
## SIDE HD FLAIL HEAD - 90" DRIVE ASSEMBLY, LEFT



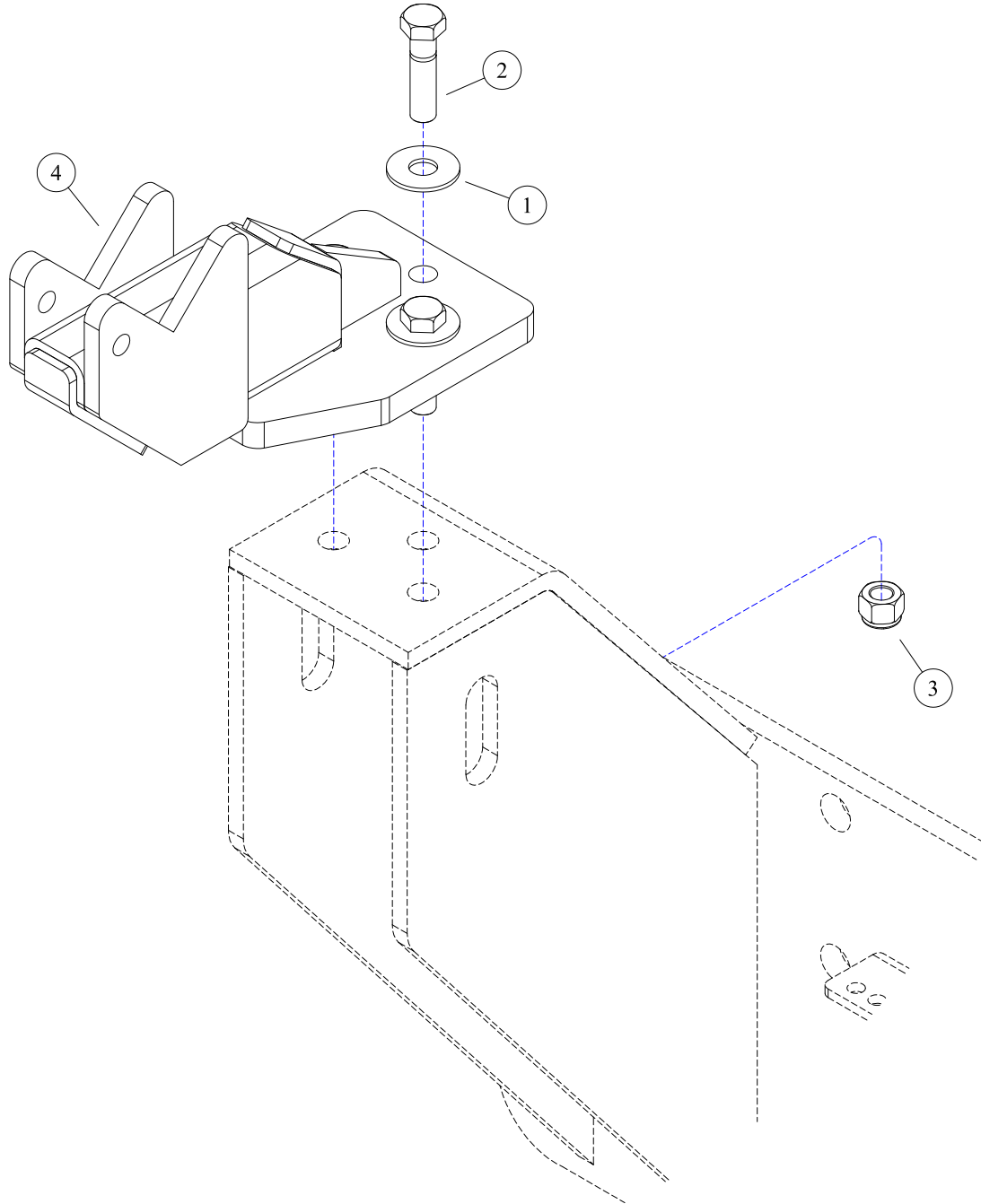
| REF# | PARTS DESCRIPTION                    | REQ | PART #  |
|------|--------------------------------------|-----|---------|
| 1    | PULLEY, 6.3"                         | 2   | 10-1007 |
| 2    | TAPERLOCK, 2-3/16"                   | 1   | 10-1012 |
| 3    | 1-1/4" TAPERLOCK BUSHING             | 1   | 10-1010 |
| 4    | IDLER PULLEY, 4.4"                   | 1   | 10-1016 |
| 5    | 3/8 LOCK WASHER                      | 4   | 11-0005 |
| 6    | 3/8 FLAT WASHER                      | 4   | 11-0009 |
| 7    | 1/2 LOCK WASHER                      | 4   | 11-0011 |
| 8    | 1/4 LOCK WASHER                      | 1   | 11-0020 |
| 9    | 12 MM LOCK WASHER                    | 1   | 11-0031 |
| 10   | 3/8 X 1 NC HEX CAPSCREW              | 4   | 11-0532 |
| 11   | 1/2 X 1-3/4 NC HEX CAPSCREW          | 4   | 11-0535 |
| 12   | 1/4 X 1 NC HEX CAP                   | 1   | 11-0550 |
| 13   | 5/8 X 3 NC HEX CAPSCREW              | 1   | 11-0558 |
| 14   | 12 MM X 40 MM - 1.75 HEX CAPSCREW    | 1   | 11-0672 |
| 15   | 3/8 X 1 H.S. NC SOCKET HEAD CAPSCREW | 1   | 11-0752 |

| REF# | PARTS DESCRIPTION                | REQ | PART #  |
|------|----------------------------------|-----|---------|
| 16   | 5/16 X 3-1/2 NC HEX CAPSCREW     | 1   | 11-0782 |
| 17   | 1/2 NC NYLOCK NUT                | 4   | 11-1018 |
| 18   | 5/8 NC NYLOCK NUT                | 1   | 11-1025 |
| 19   | 1" DOUBLE HOSE CLAMP             | 1   | 11-2008 |
| 20   | DRIVE BELT                       | 1   | 12-0007 |
| 21   | #20 FLANGE KIT                   | 2   | 21-2105 |
| 22   | 1/4MORB-90DEG X 1/4MJIC, ADAPTER | 1   | 21-1264 |
| 23   | ROSTA TENSIONER                  | 1   | 24-0081 |
| 24   | TUBE                             | 1   | 28-0014 |
| 25   | MOTOR                            | 1   | 30-0511 |
| 26   | SPACER                           | 1   | 34-0033 |
| 27   | CUTTERSHAFT KEY                  | 1   | 37-0021 |
| 28   | BELT SHIELD                      | 1   | 41-0430 |
| 29   | FLAIL HOSE CLAMP (INVERSE)       | 1   | 41-0644 |
| 30   | #20FLGX 1MJIC-45DEG              | 1   | 21-1268 |

## SIDE HD FLAIL HEAD - TRAVEL REST, SINGLE ACTING OUTBOARD

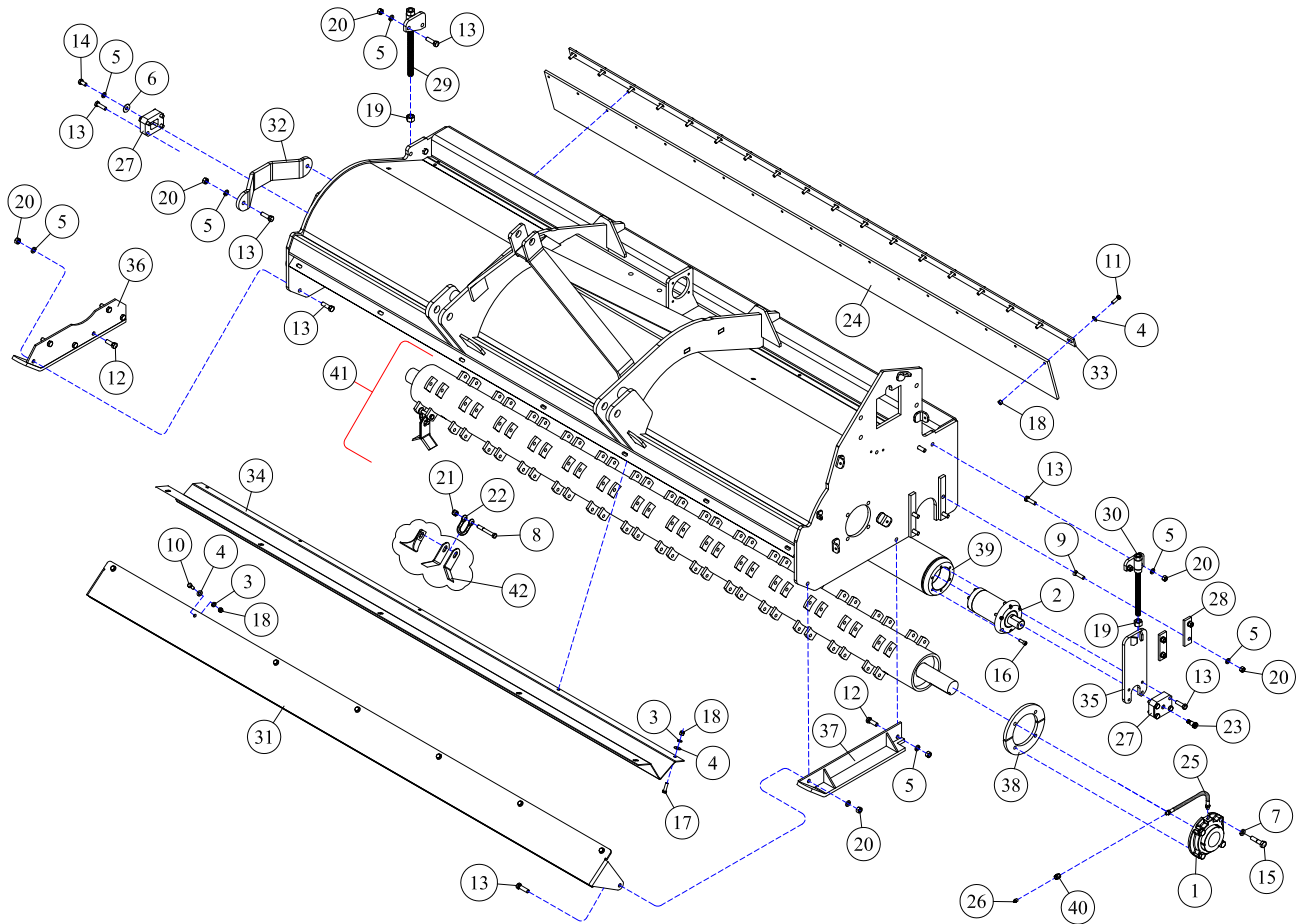


| REF# | PARTS DESCRIPTION           | REQ | PART #  |
|------|-----------------------------|-----|---------|
| 1    | 5/8 FLAT WASHER             | 3   | 11-0025 |
| 2    | 5/8 X 2-1/2 NC HEX CAPSCREW | 3   | 11-0538 |
| 3    | 5/8 NC NYLOCK NUT           | 3   | 11-1025 |
| 4    | TRAVEL LOCK/REST            | 1   | 41-0362 |

**SIDE HD FLAIL HEAD - TRAVEL REST, DOUBLE ACTING OUTBOARD**

| REF# | PARTS DESCRIPTION           | REQ | PART #  |
|------|-----------------------------|-----|---------|
| 1    | 5/8 FLAT WASHER             | 3   | 11-0025 |
| 2    | 5/8 X 2-1/2 NC HEX CAPSCREW | 3   | 11-0538 |
| 3    | 5/8 NC NYLOCK NUT           | 3   | 11-1025 |
| 4    | TRAVEL LOCK/REST            | 1   | 41-0845 |

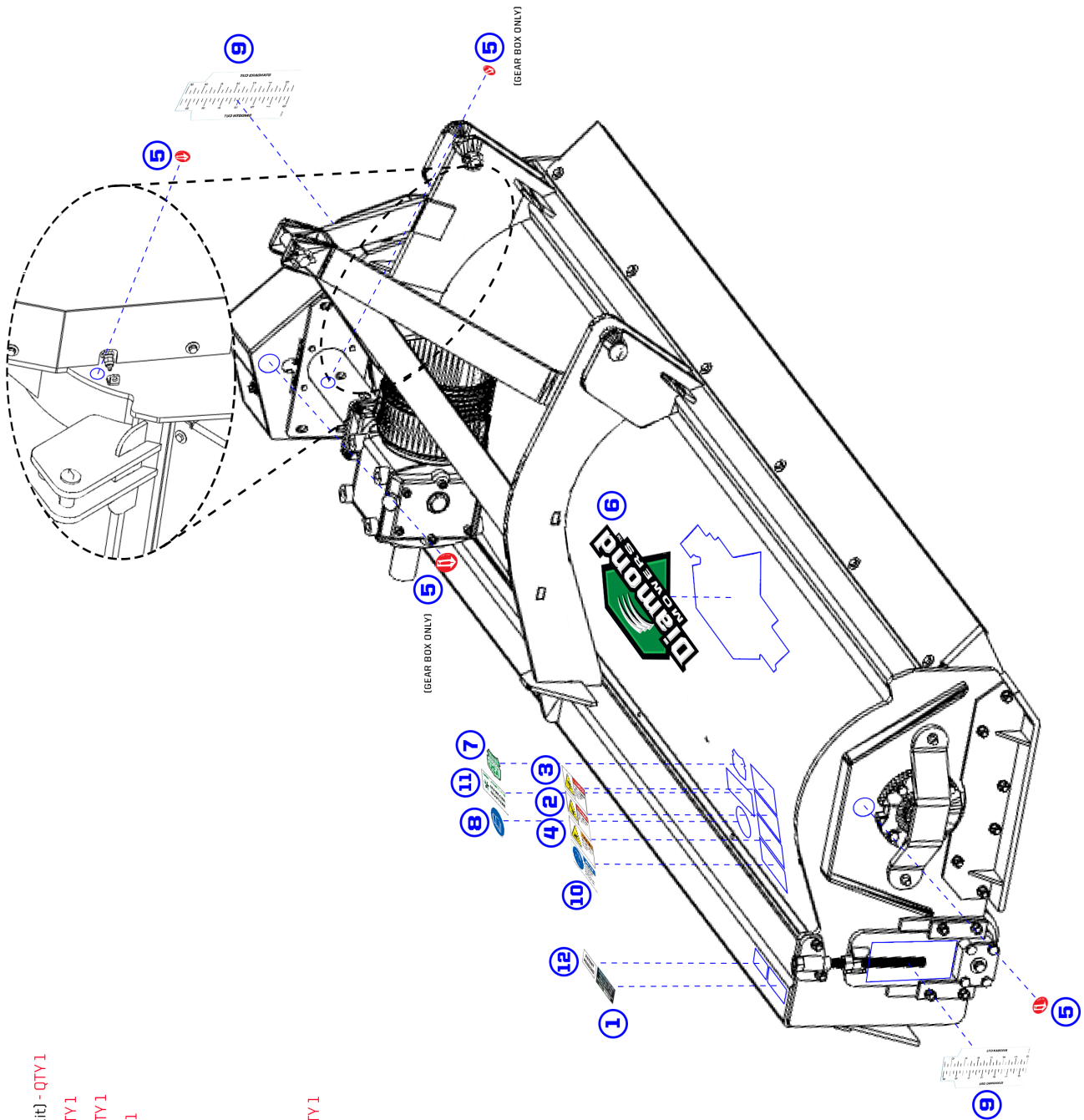
## REAR HD FLAIL HEAD - 102" CUTTER ASSEMBLY



| REF# | PARTS DESCRIPTION            | REQ | PART #  |
|------|------------------------------|-----|---------|
| 1    | CUTTERSHAFT BEARING          | 2   | 10-0006 |
| 2    | GROUND ROLLER BEARING ASSY   | 2   | 10-1051 |
| 3    | 3/8 LOCK WASHER              | 17  | 11-0005 |
| 4    | 3/8 FLAT WASHER              | 35  | 11-0009 |
| 5    | 1/2 LOCK WASHER              | 23  | 11-0011 |
| 6    | 1/2 FLAT WASHER GR 5         | 1   | 11-0018 |
| 7    | 1/2 H.S. LOCK WASHER         | 8   | 11-0036 |
| 8    | KNIFE MOUNTING BOLT          | 56  | 11-0506 |
| 9    | 1/2 X 2 NC PLOW BOLT         | 8   | 11-0515 |
| 10   | 3/8 X 1 NC CAPSCREW          | 7   | 11-0532 |
| 11   | 3/8 X 1-1/4 NC CAPSCREW      | 18  | 11-0533 |
| 12   | 1/2 X 1-1/2 NC CAPSCREW      | 6   | 11-0534 |
| 13   | 1/2 X 1-3/4 NC HEX CAPSCREW  | 16  | 11-0535 |
| 14   | 1/2 X 1 NC HEX CAP           | 1   | 11-0569 |
| 15   | 1/2 X 2 H.S. NF CAPSCREW     | 8   | 11-0633 |
| 16   | 3/8 X 1 H.S. NC SKT HEAD     | 12  | 11-0752 |
| 17   | 3/8 X 1-1/4 NC CARRIAGE BOLT | 10  | 11-0866 |
| 18   | 3/8 NC HEX NUT               | 35  | 11-1001 |
| 19   | 3/4 - 6 ACME HEX NUT         | 2   | 11-1012 |
| 20   | 1/2 NC HEX NUT               | 22  | 11-1016 |
| 21   | 7/16 NYLOCK JAM NUT          | 56  | 11-1146 |
| 22   | CLEVIS                       | 56  | 11-1501 |
| 23   | SHOULDER BOLT                | 1   | 11-2086 |
| 24   | 102" FLAP                    | 1   | 18-0012 |
| 25   | GREASE ZERK HOSE             | 1   | 21-0002 |
| 26   | 1/8" GREASE ZERK             | 2   | 23-0003 |
| 27   | GROUND ROLLER BLOCK          | 2   | 31-0563 |
| 28   | LOCK PLATE                   | 4   | 41-0003 |
| 29   | ADJUSTMENT ROD RIGHT         | 1   | 41-0005 |
| 30   | ADJUSTMENT ROD LEFT          | 1   | 41-0006 |
| 31   | 102" TRASH GUARD             | 1   | 41-0031 |

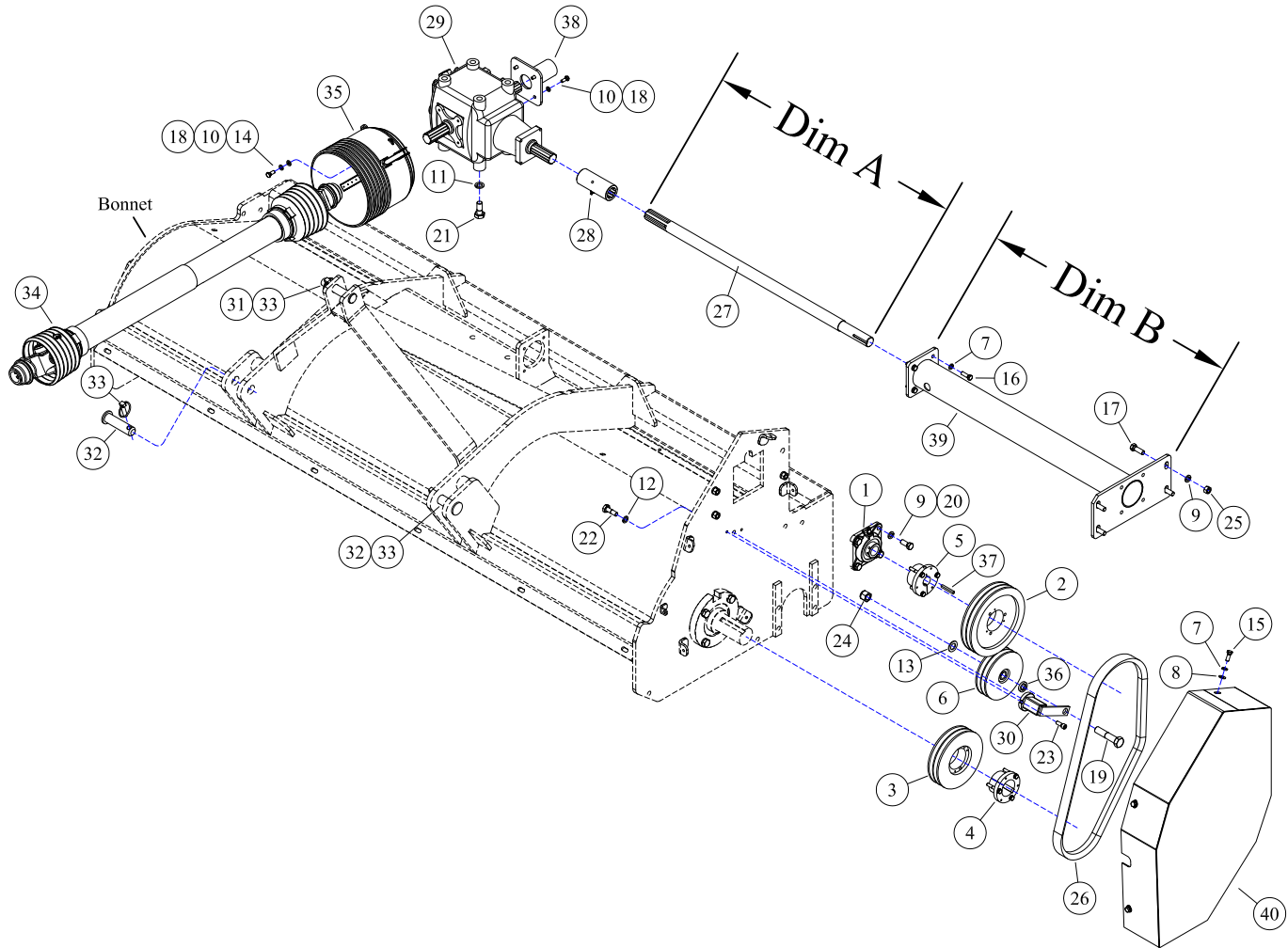
| REF# | PARTS DESCRIPTION                             | REQ  | PART #  |
|------|---|------|---------|
| 32   | CUTTERSHAFT GUARD                             | 1    | 41-0097 |
| 33   | 102" FLAP BAR                                 | 1    | 41-0127 |
| 34   | BAFFLE  | 1    | 41-0372 |
| 35   | GROUND ROLLER BRACKET                         | 2    | 41-1501 |
| 36   | OUTER SKID SHOE                               | 1    | 42-0010 |
| 37   | INNER SKID SHOE                               | 1    | 42-0015 |
| 38   | BEARING GUARD                                 | 4    | 46-0018 |
| 39   | 102" GROUND ROLLER                            | 1    | 46-0052 |
| 40   | 1/8" BRASS COUPLER                            | 1    | 9996    |
| 41   | ****CUTTER SHAFTS COMPLETE****                |      |         |
|      | 102" CUTTER SHAFT, SMOOTH CUT KNIVES          | Opt. | 46-1014 |
|      | 102" CUTTER SHAFT, 3/16" STD KNIVES           | 1    | 46-1016 |
| 42   | ****FLAIL KNIVES****                          |      |         |
|      | SMOOTH CUT FLAIL KNIFE                        | 56   | 22-1006 |
|      | 3/6" HD FLAIL KNIFE                           | 112  | 22-1016 |
| 43   | <b>BLADE KITS</b>                             |      |         |
|      | <b>REAR FLAIL ONLY</b>                        |      |         |
|      | Includes 11-0506, 11-1146, & 22-1006 (smooth) | 1    | 44-0261 |
|      | Includes 11-0506, 11-1146, & 22-1016 (HD)     | 1    | 44-0244 |
|      | <b>TRIPLE FLAIL (60" sides, 102" rear)</b>    |      |         |
|      | Includes 11-0506, 11-1146, & 22-1006 (smooth) | 1    | 44-0266 |
|      | Includes 11-0506, 11-1146, & 22-1016 (HD)     | 1    | 44-0248 |
|      | <b>TRIPLE FLAIL (75" sides, 102" rear)</b>    |      |         |
|      | Includes 11-0506, 11-1146, & 22-1006 (smooth) | 1    | 44-0265 |
|      | Includes 11-0506, 11-1146, & 22-1016 (HD)     | 1    | 44-0249 |
|      | <b>TRIPLE FLAIL (90" sides, 102" rear)</b>    |      |         |
|      | Includes 11-0506, 11-1146, & 22-1006 (smooth) | 1    | 44-0264 |
|      | Includes 11-0506, 11-1146, & 22-1016 (HD)     | 1    | 44-0250 |

## DECAL IDENTIFICATION - REAR FLAIL



- ① SERIAL NUMBER LABEL - (not included in kit) - QTY 1
- ② PART #15-0001 - Sharp Objects Danger - QTY 1
- ③ PART #15-0002 - Flying Objects Danger - QTY 1
- ④ PART #15-0003 - Belt Cover Warning - QTY 1
- ⑤ PART #15-0005 - Grease Here - QTY 4
- ⑥ PART #15-0054 - Diamond Logo 15" - QTY 1
- ⑦ PART #15-0055 - Made In USA - QTY 1
- ⑧ PART #15-0058 - Read Manual - QTY 1
- ⑨ PART #15-1001 - Ruler - QTY 2
- ⑩ PART #15-1003 - Hand Grease Gun Only - QTY 1
- ⑪ PART #15-1016 - Warranty - QTY 1
- ⑫ PART #15-0067 - Patent Pending - QTY 1

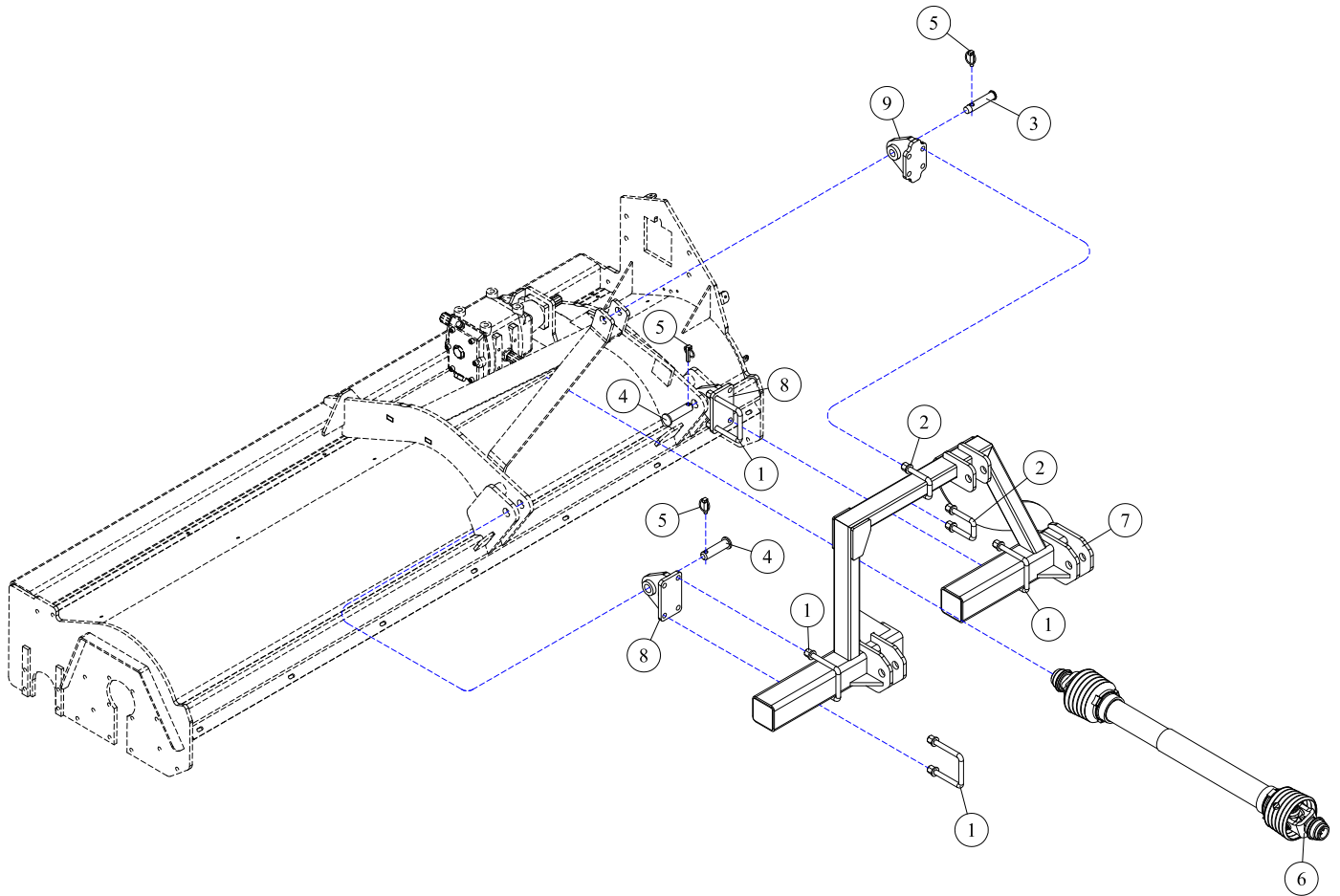
## REAR HD FLAIL HEAD - 102" DRIVE ASSEMBLY



| REF# | PARTS DESCRIPTION                 | REQ | PART #  |
|------|-----------------------------------|-----|---------|
| 1    | BEARING FLANGE                    | 1   | 10-0002 |
| 2    | 8-1/2" PULLEY                     | 1   | 10-1009 |
| 3    | 8" PULLEY                         | 1   | 10-1011 |
| 4    | 2-3/16" TAPERLOCK BUSHING         | 1   | 10-1012 |
| 5    | 1-1/4" TAPERLOCK BUSHING          | 1   | 10-1018 |
| 6    | IDLER PULLEY                      | 1   | 10-1019 |
| 7    | 3/8 LOCK WASHER                   | 9   | 11-0005 |
| 8    | 3/8 FLAT WASHER                   | 5   | 11-0009 |
| 9    | 1/2 LOCK WASHER                   | 8   | 11-0011 |
| 10   | 8MM LOCK WASHER                   | 8   | 11-0021 |
| 11   | 16MM LOCK WASHER                  | 4   | 11-0028 |
| 12   | 12MM LOCK WASHER                  | 1   | 11-0031 |
| 13   | 3/4 H.S. FLAT WASHER              | 1   | 11-0039 |
| 14   | 8MM FLAT WASHER                   | 4   | 11-0074 |
| 15   | 3/8 X 1 NC HEX CAPSCREW           | 5   | 11-0532 |
| 16   | 3/8 X 1-1/4 NC HEX CAPSCREW       | 4   | 11-0533 |
| 17   | 1/2 X 1-1/2 NC HEX CAPSCREW       | 4   | 11-0534 |
| 18   | 8MM X 20MM X 1.25 HEX CAPSCREW    | 8   | 11-0549 |
| 19   | 3/4 X 3-1/2 NC HEX CAPSCREW       | 1   | 11-0551 |
| 20   | 1/2 X 1-1/4 NC HEX CAPSCREW       | 4   | 11-0570 |
| 21   | 16MM X 40MM X 2.0 HEX CAPSCREW    | 4   | 11-0627 |
| 22   | 12MM X 40MM X 1.75 HEX CAPSCREW   | 1   | 11-0672 |
| 23   | 3/8 X 1 H.S. NC SKT HEAD CAPSCREW | 1   | 11-0752 |
| 24   | 3/4 NC NYLOCK NUT                 | 1   | 11-1006 |
| 25   | 1/2 NC HEX NUT                    | 4   | 11-1016 |
| 26   | DOUBLE V-BELT 630                 | 1   | 12-0009 |
| 27   | <b>OUTPUT SHAFT</b>               |     |         |
|      | DIM A = 44"                       | 1   | 13-1006 |

| REF# | PARTS DESCRIPTION       | REQ | PART #  |
|------|-------------------------|-----|---------|
|      | DIM A = 23"             | 1   | 13-1001 |
|      | DIM A = 37-5/16"        | 1   | 13-1010 |
|      | DIM A = 13"             | 1   | 13-1016 |
|      | DIM A = 19"             | 1   | 13-1049 |
|      | DIM A = 35"             | 1   | 13-1035 |
|      | DIM A = 28-1/4"         | 1   | 13-1048 |
|      | DIM A = 19"             | 1   | 13-1049 |
| 28   | 6 SPLINE COUPLER        | 1   | 13-1501 |
| 29   | GEAR BOX                | 1   | 19-0020 |
| 30   | ROSTA TENSIONER         | 1   | 24-0082 |
| 31   | UPPER 3-POINT PIN       | 1   | 27-0007 |
| 32   | LOWER 3-POINT PIN       | 2   | 27-0016 |
| 33   | 7/16 X 2 LYNCH PIN      | 3   | 27-1005 |
| 34   | PTO DRIVE SHAFT         | 1   | 29-0003 |
| 35   | INPUT CONNECTION SHIELD | 1   | 29-0052 |
| 36   | IDLER SPACER            | 1   | 34-0032 |
| 37   | 1/4" KEY                | 1   | 37-0002 |
| 38   | INPUT PTO SHAFT GUARD   | 1   | 41-0130 |
| 39   | <b>SHAFT GUARD</b>      |     |         |
|      | DIM B = 42-1/4"         | 1   | 41-0321 |
|      | DIM B = 21-1/4"         | 1   | 41-0322 |
|      | DIM B = 35-1/2"         | 1   | 41-0323 |
|      | DIM B = 11-3/8"         | 1   | 41-0324 |
|      | DIM B = 27-1/4"         | 1   | 41-0349 |
|      | DIM B = 33"             | 1   | 41-0497 |
|      | DIM B = 26-3/16"        | 1   | 41-0736 |
|      | DIM B = 17-3/8"         | 1   | 41-0752 |
| 40   | BELT GUARD              | 1   | 41-0434 |

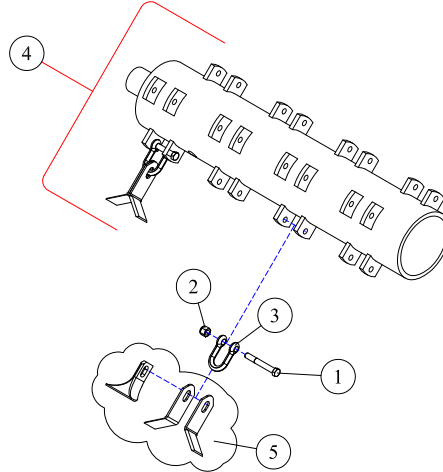
## REAR HD FLAIL HEAD - OFFSET KIT ASSEMBLY



| REF# | PARTS DESCRIPTION           | REQ | PART #  |
|------|-----------------------------|-----|---------|
| 1    | U-BOLT, 5-3/4 X 4-5/8 X 5/8 | 4   | 11-2062 |
| 2    | U-BOLT, 4-3/4 X 2-3/4 X 5/8 | 2   | 11-2063 |
| 3    | PIN (TOP)                   | 1   | 27-0007 |
| 4    | PIN (BOTTOM)                | 2   | 27-0016 |
| 5    | LYNCH PIN                   | 3   | 27-1005 |

| REF# | PARTS DESCRIPTION | REQ | PART #  |
|------|-------------------|-----|---------|
| 6    | PTO SHAFT         | 1   | 29-0143 |
| 7    | REAR BRACKET      | 1   | 41-1222 |
| 8    | LOWER MOUNT       | 2   | 41-1223 |
| 9    | UPPER MOUNT       | 1   | 41-1224 |

## HD FLAIL HEAD - BLADE CONFIGURATIONS



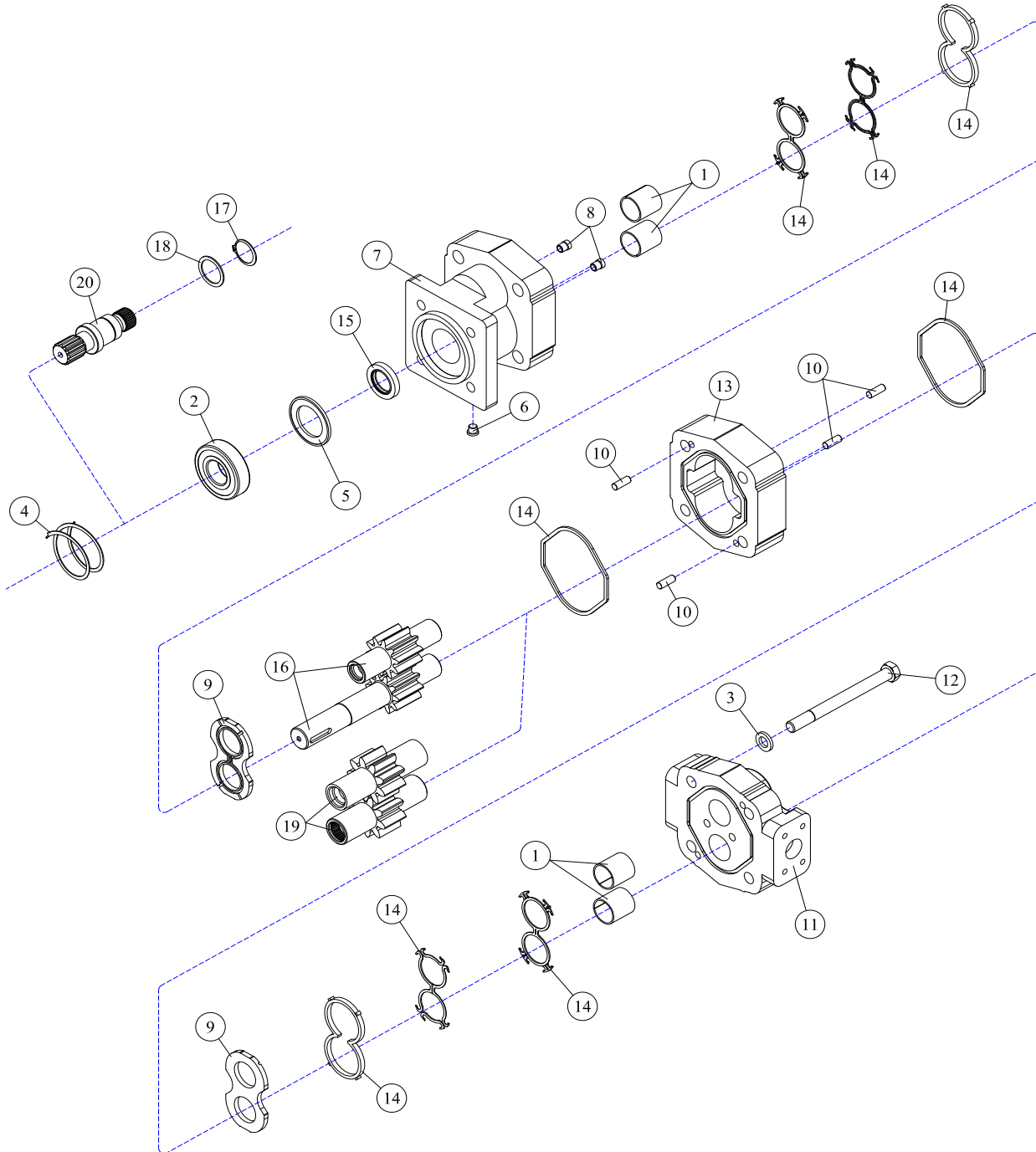
| REF#                     | PARTS DESCRIPTION                    | REQ    | PART #  |
|--------------------------|--------------------------------------|--------|---------|
| <b><u>90" FLAIL</u></b>  |                                      |        |         |
| 1                        | KNIFE MOUNTING BOLT                  | 48     | 11-0506 |
| 2                        | 7/16 NYLOCK JAM NUT                  | 48     | 11-1146 |
| 3                        | CLEVIS                               | 48     | 11-1501 |
| 4                        | ****CUTTER SHAFTS COMPLETE****       |        |         |
|                          | 90" CUTTER SHAFT, 1/8" STD KNIVES    | Opt.   | 46-1000 |
|                          | 90" CUTTER SHAFT, SMOOTH CUT KNIVES  | Opt.   | 46-1013 |
|                          | 90" CUTTER SHAFT, 3/16" STD KNIVES   | 1      | 46-1011 |
| 5                        | ****FLAIL KNIVES****                 |        |         |
|                          | 1/8" STD FLAIL KNIFE                 | Avail. | 22-1003 |
|                          | SMOOTH CUT FLAIL KNIFE               | Avail. | 22-1006 |
|                          | 3/16" HD FLAIL KNIFE                 | Avail. | 22-1016 |
| <b><u>102" FLAIL</u></b> |                                      |        |         |
| 1                        | KNIFE MOUNTING BOLT                  | 56     | 11-0506 |
| 2                        | 7/16 NYLOCK JAM NUT                  | 56     | 11-1146 |
| 3                        | CLEVIS                               | 56     | 11-1501 |
| 4                        | ****CUTTER SHAFTS COMPLETE****       |        |         |
|                          | 102" CUTTER SHAFT, 1/8" STD KNIVES   | Opt.   | 46-1007 |
|                          | 102" CUTTER SHAFT, SMOOTH CUT KNIVES | Opt.   | 46-1014 |
|                          | 102" CUTTER SHAFT, 3/16" STD KNIVES  | 1      | 46-1016 |
| 5                        | ****FLAIL KNIVES****                 |        |         |
|                          | 1/8" STD FLAIL KNIFE                 | Avail. | 22-1003 |
|                          | SMOOTH CUT FLAIL KNIFE               | Avail. | 22-1006 |
|                          | 3/16" HD FLAIL KNIFE                 | Avail. | 22-1016 |
| <b><u>60" FLAIL</u></b>  |                                      |        |         |
| 1                        | KNIFE MOUNTING BOLT                  | 32     | 11-0506 |
| 2                        | 7/16 NYLOCK JAM NUT                  | 32     | 11-1146 |
| 3                        | CLEVIS                               | 32     | 11-1501 |
| 4                        | ****CUTTER SHAFTS COMPLETE****       |        |         |
|                          | 60" CUTTER SHAFT, 1/8" STD KNIVES    | Opt.   | 46-1008 |
|                          | 60" CUTTER SHAFT, SMOOTH CUT KNIVES  | Opt.   | 46-1012 |
|                          | 60" CUTTER SHAFT, 3/16" HD KNIVES    | 1      | 46-1022 |
| 5                        | ****FLAIL KNIVES****                 |        |         |
|                          | 1/8" STD FLAIL KNIFE                 | Avail. | 22-1003 |
|                          | SMOOTH CUT FLAIL KNIFE               | Avail. | 22-1006 |
|                          | 3/6" HD FLAIL KNIFE                  | Avail. | 22-1016 |
| <b><u>75" FLAIL</u></b>  |                                      |        |         |
| 1                        | KNIFE MOUNTING BOLT                  | 40     | 11-0506 |
| 2                        | 7/16 NYLOCK JAM NUT                  | 40     | 11-1146 |
| 3                        | CLEVIS                               | 40     | 11-1501 |
| 4                        | ****CUTTER SHAFTS COMPLETE****       |        |         |
|                          | 75" CUTTER SHAFT, 1/8" STD KNIVES    | Opt.   | 46-1005 |
|                          | 75" CUTTER SHAFT, SMOOTH CUT KNIVES  | Opt.   | 46-1018 |
|                          | 75" CUTTER SHAFT, 3/16" HD KNIVES    | 1      | 46-1010 |
| 5                        | ****FLAIL KNIVES****                 |        |         |
|                          | 1/8" STD FLAIL KNIFE                 | Avail. | 22-1003 |
|                          | SMOOTH CUT FLAIL KNIFE               | Avail. | 22-1006 |
|                          | 3/6" HD FLAIL KNIFE                  | Avail. | 22-1016 |



# DECK ASSEMBLIES



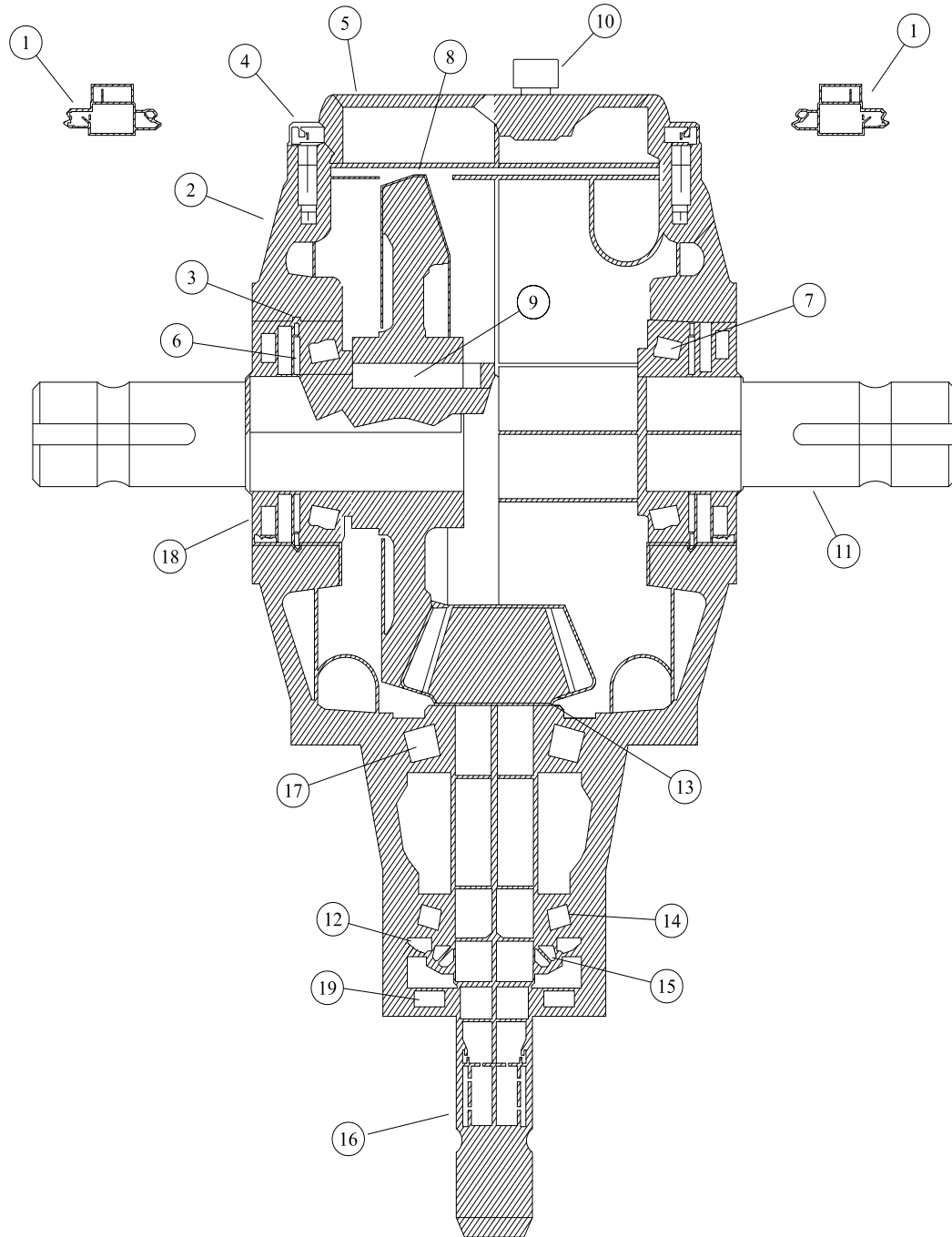
**30-0511 - MOTOR ASSEMBLY**



| REF# | PARTS DESCRIPTION                               | REQ | PART #  |
|------|---|-----|---------|
| 1    | BUSHING   | 4   | 30-1002 |
| 2    | BALL BEARING                                    | 1   | 30-1044 |
| 3    | WASHER  | 4   | 30-1071 |
| 4    | SPIROLOCK                                       | 1   | 30-1094 |
| 5    | RETAINING RING                                  | 1   | 30-1095 |
| 6    | PLUG  | 1   | 30-1096 |
| 7    | SHAFT END COVER                                 | 1   | 30-1097 |
| 8    | CHECK ASSEMBLY                                  | 2   | 30-1098 |
| 9    | THRUST PLATE                                    | 2   | 30-1100 |
| 10   | DOWEL PIN                                       | 4   | 30-1102 |
| 11   | PORT END COVER W/ BUSHINGS                      | 1   | 30-1133 |
| 12   | STUD  | 4   | 30-1134 |
| 13   | GEAR HOUSING 1-3/4"                             | 1   | 30-1208 |
| 14   | <b>SEAL KIT</b>                                 |     |         |
|      | SEAL KIT (integral shaft only) comes w/ 30-1162 | 1   | 30-1207 |

| REF# | PARTS DESCRIPTION                             | REQ | PART #  |
|------|---|-----|---------|
|      | SEAL KIT (continental shaft only)             | 1   | 30-1211 |
| 15   | <b>SHAFT SEAL</b>                             |     |         |
|      | <b>CONTINENTAL SHAFT ONLY:</b>                |     |         |
|      | 300 PSI (included in M350 seal kit)           | 1   | 30-1209 |
|      | <b>INTEGRAL SHAFT ONLY:</b>                   |     |         |
|      | 500 PSI                                       | 1   | 30-1036 |
| *    | SHAFT TOOL (not shown) (required for install) | 1   | 30-1162 |
|      | <b>GEAR SET OPTION A:</b>                     |     |         |
| 16   | INTEGRAL SHAFT AND GEAR 1-3/4"                | 1   | 30-1024 |
|      | <b>GEAR SET OPTION B:</b>                     |     |         |
| 17   | RETAINING RING                                | 1   | 30-1019 |
| 18   | WASHER  | 1   | 30-1020 |
| 19   | 2-1/4" GEAR SET                               | 1   | 30-1025 |
| 20   | CONTINENTAL SHAFT, SPLINED                    | 1   | 30-1144 |

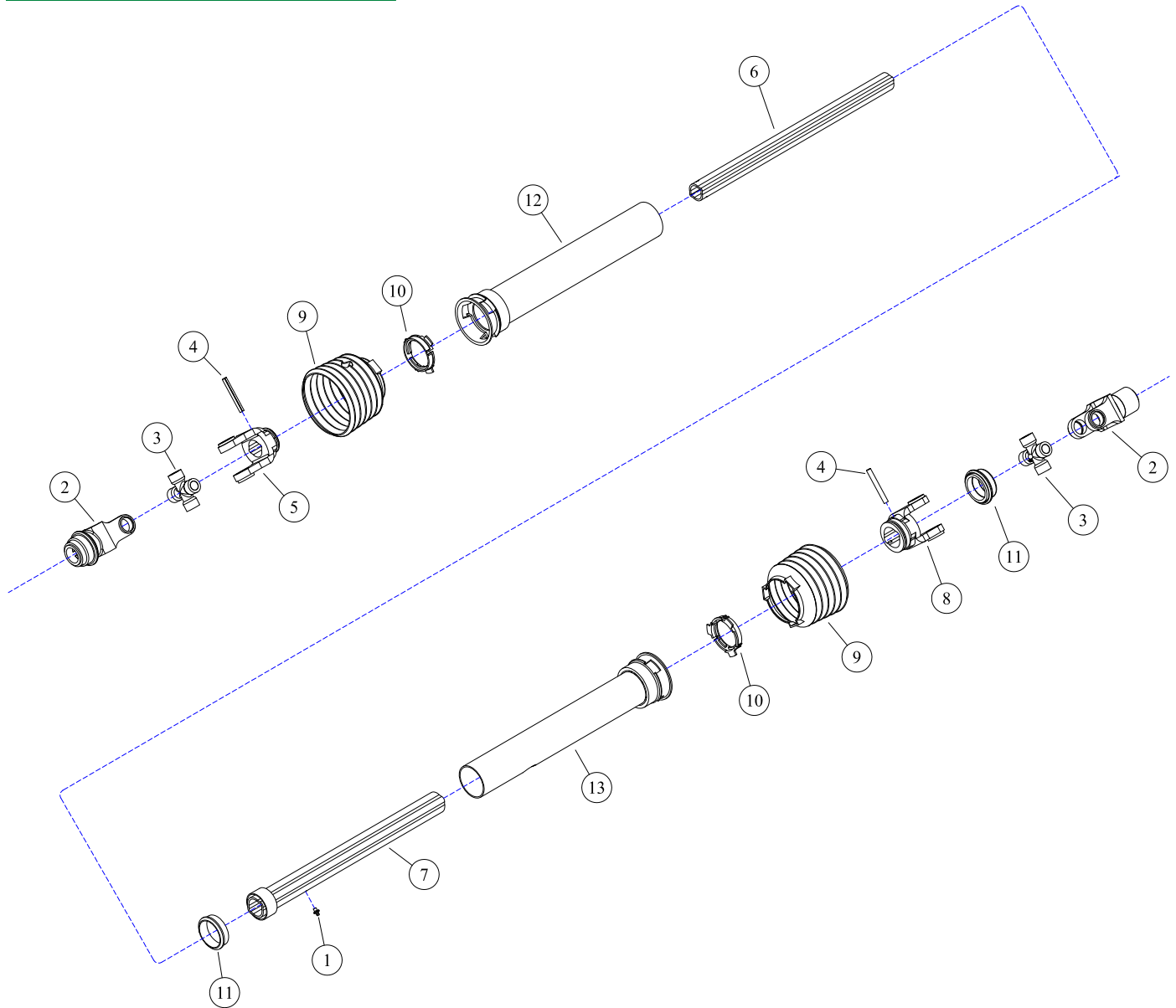
**19-0020 - GEAR BOX ASSEMBLY**



| REF# | PARTS DESCRIPTION | REQ | PART #  |
|------|-------------------|-----|---------|
| 1    | PLUG 1/2" GAS     | 2   | 19-0001 |
| 2    | GEAR BOX HOUSING  | 1   | 19-0017 |
| 3    | SNAP RING         | 2   | 19-0022 |
| 4    | 8MM - 25MM BOLT   | 6   | 19-0023 |
| 5    | GEAR BOX COVER    | 1   | 19-0024 |
| 6    | SHIM              | 2   | 19-0025 |
| 7    | BEARING           | 2   | 19-0026 |
| 8    | GEAR              | 1   | 19-0027 |
| 9    | PARALLEL KEY      | 1   | 19-0028 |
| 10   | OIL FILL PLUG     | 1   | 19-0039 |

| REF# | PARTS DESCRIPTION | REQ | PART #  |
|------|-------------------|-----|---------|
| 11   | SHAFT             | 1   | 19-0030 |
| 12   | SPRING WASHER     | 1   | 19-0031 |
| 13   | SHIM              | 1   | 19-0032 |
| 14   | BEARING           | 1   | 19-0033 |
| 15   | LOCK NUT          | 1   | 19-0034 |
| 16   | PINION            | 1   | 19-0035 |
| 17   | BEARING           | 1   | 19-0036 |
| 18   | OIL SEAL          | 2   | 33-0007 |
| 19   | DOUBLE LIP SEAL   | 1   | 33-0021 |

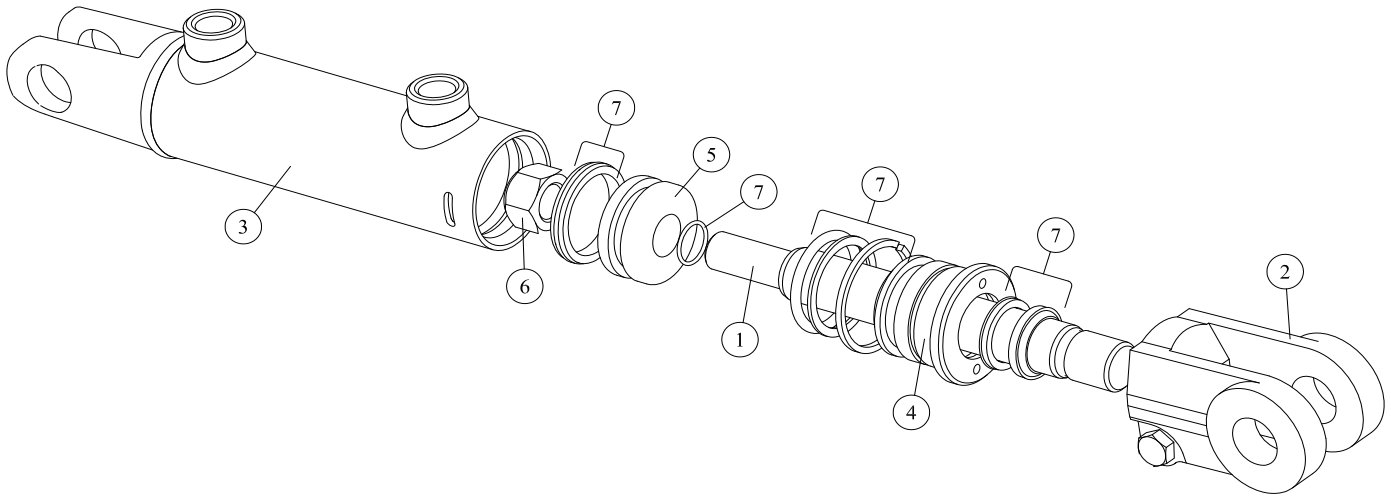
**29-0003 - DRIVE LINE ASSEMBLY**



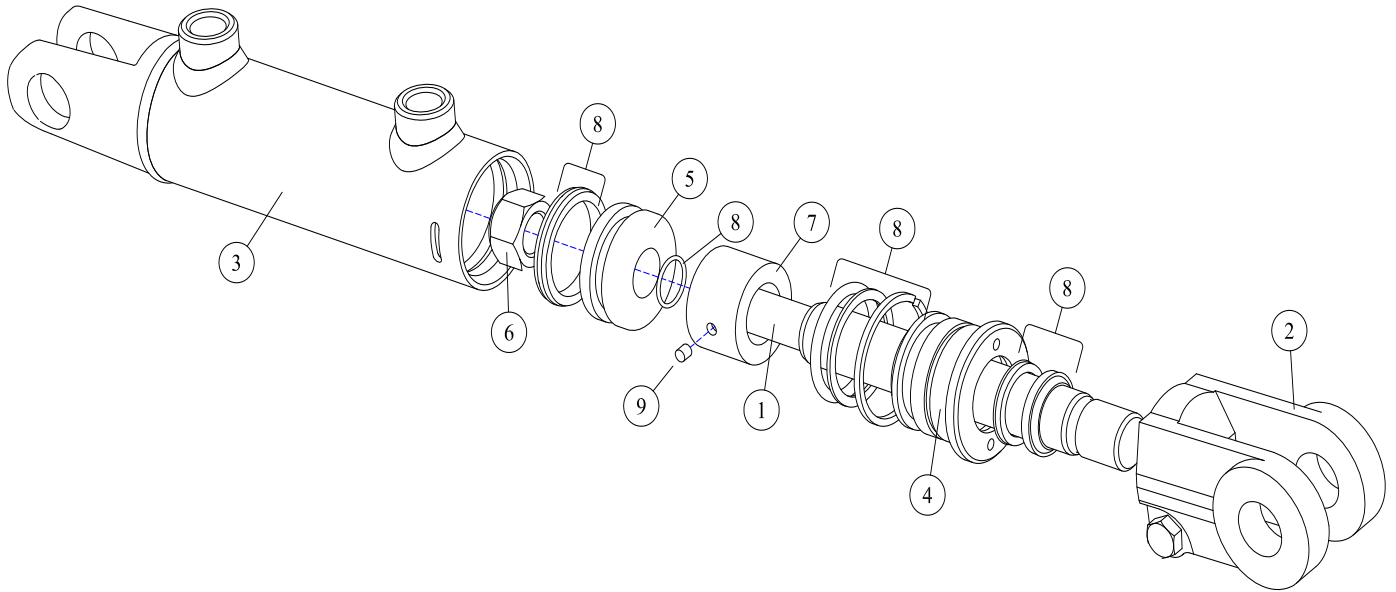
| REF# | PARTS DESCRIPTION    | REQ   | PART #  |
|------|----------------------|-------|---------|
| 1    | ZERK                 | 1     | 23-0004 |
| 2    | YOKE 1-3/8" 6 SPLINE | 2     | 29-0018 |
| 3    | CROSS & BEARING KIT  | 2     | 29-0019 |
| 4    | SPRING PIN           | 2     | 29-0020 |
| 5    | INBOARD YOKE 1B      | 1     | 29-0021 |
| 6    | INNER PROFILE        | 1     | 29-0022 |
| 7    | PROFILE & SLEEVE     | 1     | 29-0023 |
| 8    | INBOARD YOKE 2A      | 1     | 29-0024 |
| 9    | SHIELD CONE          | 2     | 29-0025 |
| 10   | BEARING RING         | 2     | 29-0026 |
| 11   | SUPPORT BEARING      | 1     | 29-0027 |
| 12   | OUTER SHIELD TUBE    | 1     | 29-0028 |
| 13   | INNER SHIELD TUBE    | 1     | 29-0029 |
| 14   | COLLAR REPAIR KIT    | 2     | 29-0030 |
| 15   | PTO SHAFT COMPLETE   | Avail | 29-0003 |

# LIFT ASSEMBLIES



**14-0001 - 3X10 WELDED CYLINDER**

| REF# | PARTS DESCRIPTION    | REQ | PART #  |
|------|----------------------|-----|---------|
| 1    | PISTON ROD           | 1   | 14-1130 |
| 2    | CLEVIS ASSEMBLY      | 1   | 14-1160 |
| 3    | BUTT & TUBE ASSEMBLY | 1   | 14-1140 |
| 4    | GLAND                | 1   | 14-1155 |
| 5    | PISTON               | 1   | 14-1150 |
| 6    | LOCKNUT              | 1   | 14-1120 |
| 7    | SEAL KIT             | 1   | 33-0038 |

**14-0004 - 3X12 WELDED CYLINDER, SLUGGED**

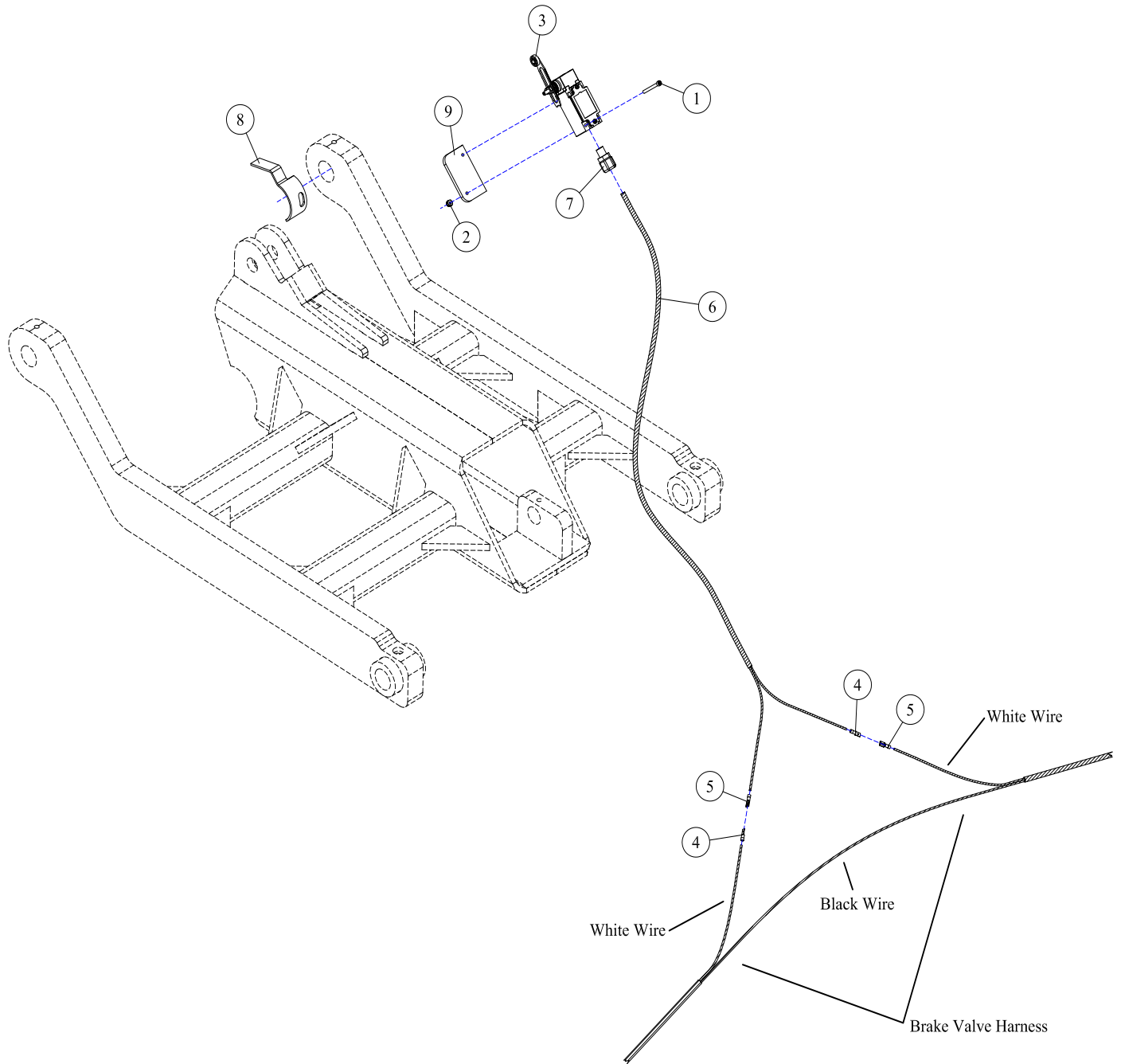
| REF# | PARTS DESCRIPTION    | REQ | PART #  |
|------|----------------------|-----|---------|
| 1    | PISTON ROD           | 1   | 14-1131 |
| 2    | CLEVIS ASSEMBLY      | 1   | 14-1160 |
| 3    | BUTT & TUBE ASSEMBLY | 1   | 14-1141 |
| 4    | GLAND                | 1   | 14-1155 |
| 5    | PISTON               | 1   | 14-1150 |
| 6    | LOCKNUT              | 1   | 14-1120 |
| 7    | SLUG                 | 1   | 14-1191 |
| 8    | SEAL KIT             | 1   | 33-0038 |
| 9    | SET SCREW            | 1   | 11-2007 |

# ELECTRICAL ASSEMBLIES





**LIMIT SWITCH - DRAFT BEAM HEIGHT LIMITER**

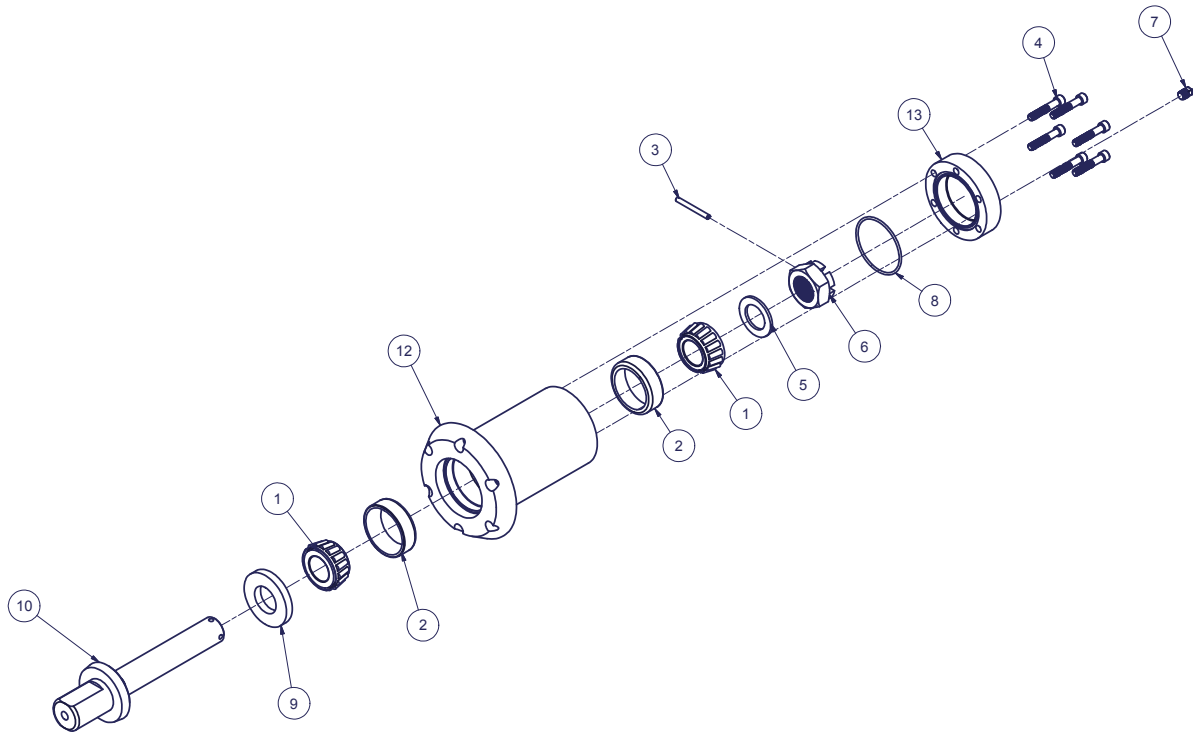


| REF# | PARTS DESCRIPTION                | REQ      | PART #  |
|------|----------------------------------|----------|---------|
| 1    | #10 - 24 X 2 SHCS                | 2        | 11-0786 |
| 2    | #10 - 24 NYLOCK NUT              | 2        | 11-1051 |
| 3    | LIMIT SWITCH                     | 1        | 16-0016 |
| 4    | 14-16GA MALE PUSH-ON CONNECTOR   | 2        | 16-0040 |
| 5    | 14-16GA FEMALE PUSH-ON CONNECTOR | 2        | 16-0041 |
| 6    | 14/2 PRIMARY WIRE                | Avail/ft | 16-0042 |
| 7    | 3/8 CONDUIT STRAIN RELIEF        | 1        | 16-0043 |
| 8    | <b>CAM TILT BRACKET</b>          |          |         |
|      | LEFT                             | 1        | 24-0039 |
|      | RIGHT                            | 1        | 24-0040 |
| 9    | LIMIT SWITCH PLATE               | 1        | 31-0023 |

# MISCELLANEOUS ASSEMBLIES



**BEARING - GROUND ROLLER, 10-1051**



| REF# | PARTS DESCRIPTION                      | REQ | PART#   | TORQUE (ft-lbs) | TORQUE (Nm) |
|------|--|-----|---------|-----------------|-------------|
| 1    | TAPER BEARING                          | 2   | 10-1049 |                 |             |
| 2    | TAPER BEARING RACE                     | 2   | 10-1050 |                 |             |
| 3    | ROLL PIN                               | 1   | 11-2006 |                 |             |
| 4    | 5/16 X 1-3/4 NC SHCS                   | 6   | 11-2065 | 28.7            | 38.9        |
| 5    | THRUST WASHER 2.00 OD X 1.26 ID        | 1   | 11-2067 |                 |             |
| 6    | CASTLE NUT                             | 1   | 11-2074 |                 |             |
| 7    | 1/8 NPT PLUG                           | 1   | 21-1136 |                 |             |
| 8    | O RING 2-7/8 OD                        | 1   | 24-0273 |                 |             |
| 9    | SEAL TCM 132713TC                      | 1   | 33-0031 |                 |             |
| 10   | ASSY GROUND ROLLER SHAFT               | 1   | 41-1533 |                 |             |
| 11   | SERVICE KIT, GROUND ROLLER (NOT SHOWN) | 1   | 44-0780 |                 |             |
| 12   | GROUND ROLLER INSERT                   | 1   | 90-7045 |                 |             |
| 13   | GROUND ROLLER END CAP                  | 1   | 90-7048 |                 |             |

10-1051 Rev 000



**100% SATISFACTION  
GUARANTEE**  
★ GET IT, LOVE IT, *or* LEAVE IT! ★

**72-HOUR PARTS  
SHIPPING GUARANTEE**