



PARTS BOOK

TOWABLE TRIPLE FLAIL

• 75" SIDES/102" REAR • SERIAL #19695+ •

DIAMOND MOWERS, LLC
350 E 60th St. North
Sioux Falls, SD 57104

FOR WARRANTY CALL DIAMOND MOWERS DIRECT:
888-960-0364
OUR TECHNICIANS WILL DIAGNOSE YOUR SITUATION
OVER THE PHONE TO GET YOU UP AND RUNNING QUICKLY.

Phone: 605-977-3300
Fax: 605-655-5870
www.diamondmowers.com

DEMAND BRILLIANCE.

© DIAMOND MOWERS, LLC



Foreword

This manual contains the parts breakdown and identification of the various components and structures that make up your mower implement.

The illustrations, drawings, and diagrams in this manual are based on the latest information available at the time of publication. Your machine may have product improvements and features not yet contained in this parts manual.

Diamond Mowers, LLC reserves the right to make changes at any time without notice or obligation.

Diamond Mowers, LLC™ and Wetblade™ are trademarks of Diamond Mowers, LLC.

This manual should be consulted prior and while assembling the unit, and anytime parts or assembly clarification is needed.

Copyright© 2016 Diamond Mowers, LLC

All rights reserved. While every precaution has been taken in the preparation of this manual, the publisher assumes no responsibility for errors or omissions. No part of this book covered by the copyrights hereon may be reproduced or copied in any form or by any means - graphic, electronic, or mechanical, including photocopying, taping, or information storage and retrieval systems - without written permission of the publisher.

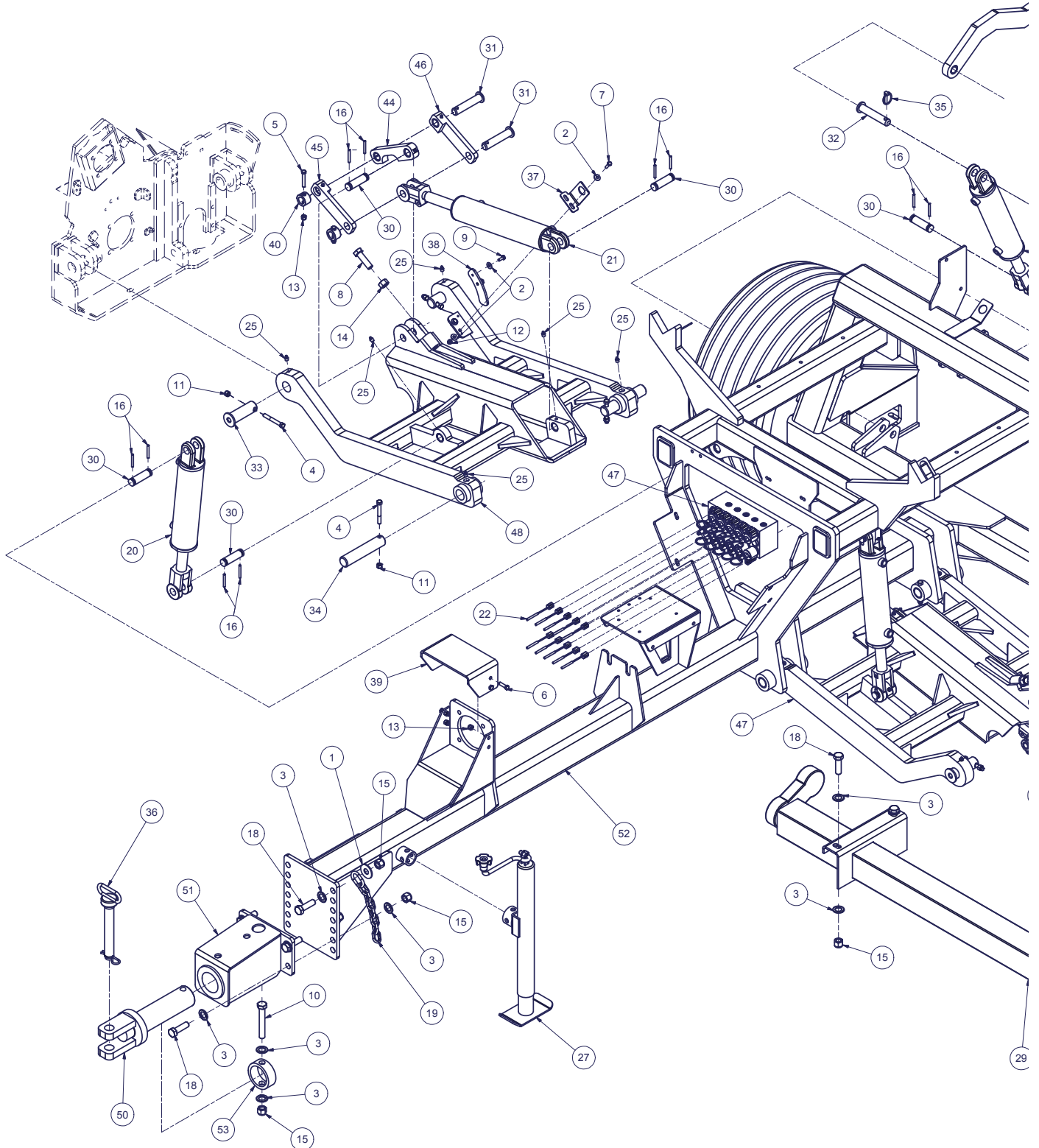


Table of Contents

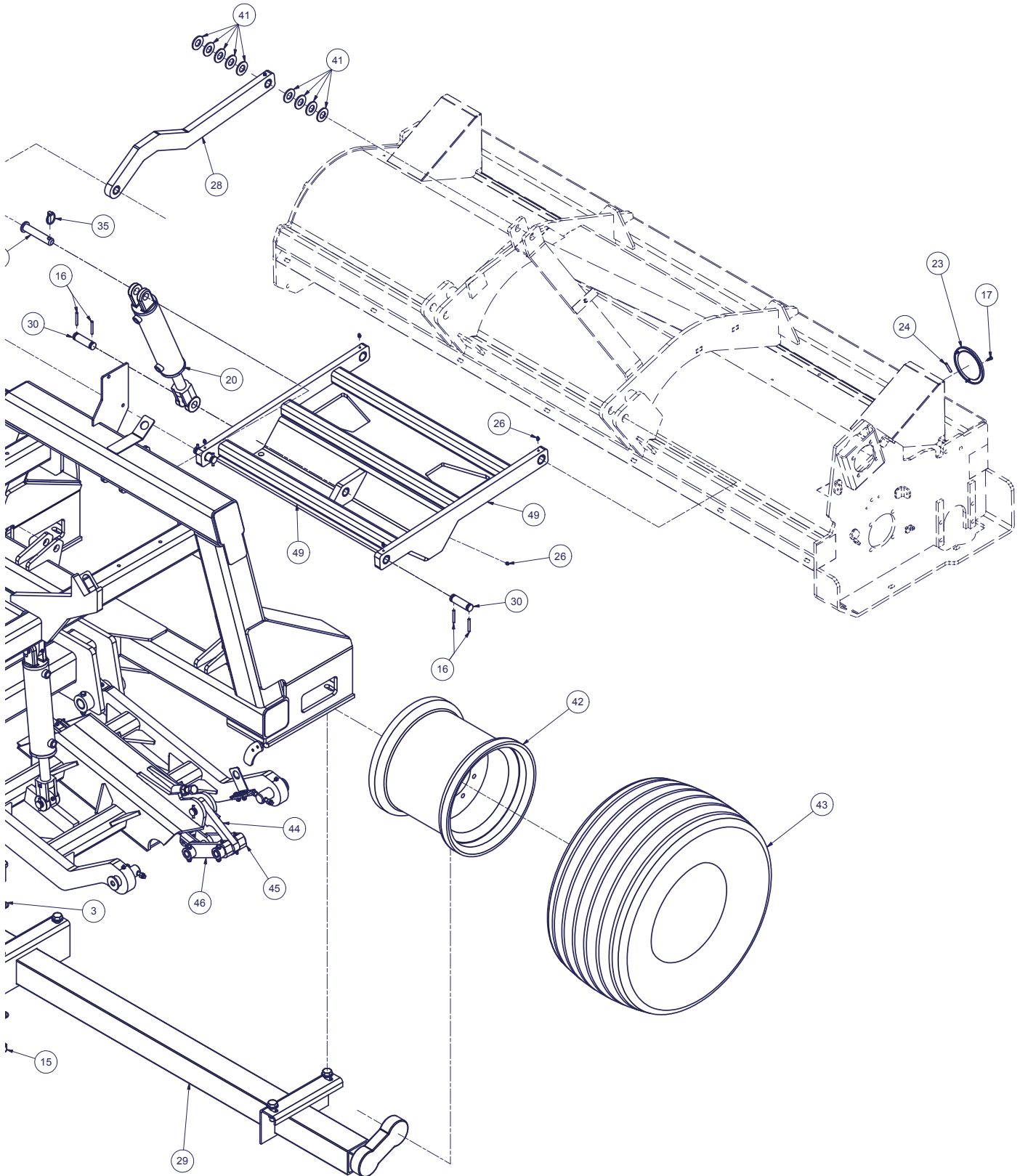
IMPLEMENT ASSEMBLIES	4
IMPLEMENT ASSEMBLIES - MAINFRAME, ASSEMBLY 45-2453	5
IMPLEMENT ASSEMBLIES - DECAL IDENTIFICATION, MAINFRAME	8
IMPLEMENT ASSEMBLIES - MAINFRAME, DECK FEED 45-3802	9
IMPLEMENT ASSEMBLIES - MAINFRAME, LIFT FEED 45-4784	12
FLAIL HEADS	13
SIDE HD FLAIL HEAD - 75" CUTTER ASSEMBLY, RIGHT SIDE	14
SIDE HD FLAIL HEAD - 75" CUTTER ASSEMBLY, LEFT SIDE	15
DECAL IDENTIFICATION - SIDE FLAIL	16
SIDE HD FLAIL HEAD - 75" DRIVE ASSEMBLY, RIGHT	17
SIDE HD FLAIL HEAD - 75" DRIVE ASSEMBLY, LEFT	18
REAR HD FLAIL HEAD - 102" CUTTER ASSEMBLY	19
DECAL IDENTIFICATION - REAR FLAIL	20
REAR HD FLAIL HEAD - 102" DRIVE ASSEMBLY	21
HD FLAIL HEAD - BLADE CONFIGURATIONS	22
DECK ASSEMBLIES	23
17-0014 - FILTER ASSEMBLY	24
29-0182 - DRIVE LINE ASSEMBLY	25
30-0511 - MOTOR ASSEMBLY	26
30-0539 - PUMP ASSEMBLY	27
LIFT ASSEMBLIES	28
14-0001 - 3X10 WELDED CYLINDER	29
14-0004 - 3X12 WELDED CYLINDER, SLUGGED	30
17-0037 - FILTER ASSEMBLY	31
LIFT VALVE - ELECTRICAL NON-PROPORTIONAL, 39-0107	32
MISCELLANEOUS ASSEMBLIES	33
BEARING - GROUND ROLLER, 10-1067	34

IMPLEMENT ASSEMBLIES

IMPLEMENT ASSEMBLIES - MAINFRAME, ASSEMBLY 45-2453



IMPLEMENT ASSEMBLIES - MAINFRAME, ASSEMBLY 45-2453

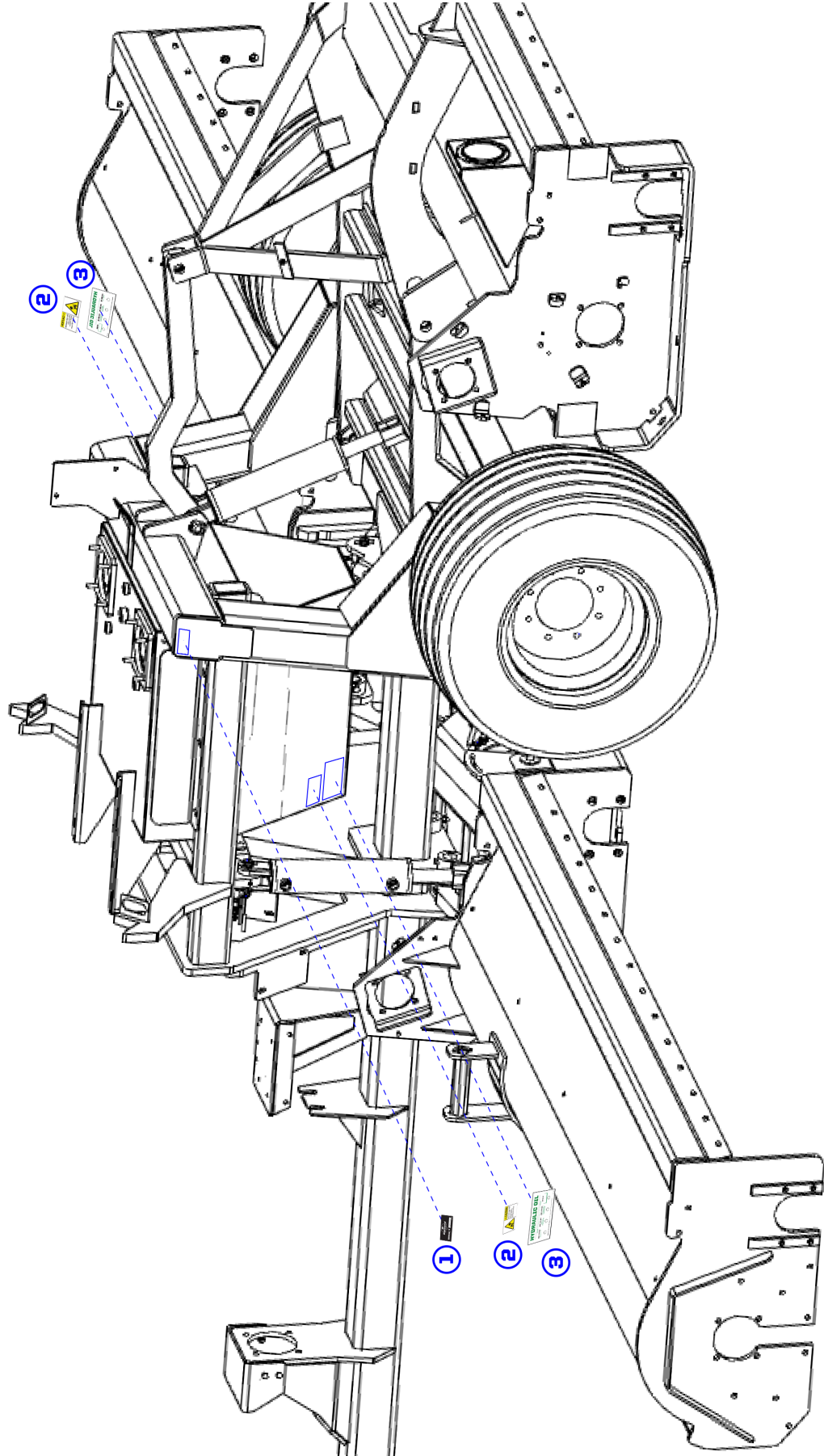


IMPLEMENT ASSEMBLIES - MAINFRAME, ASSEMBLY 45-2453

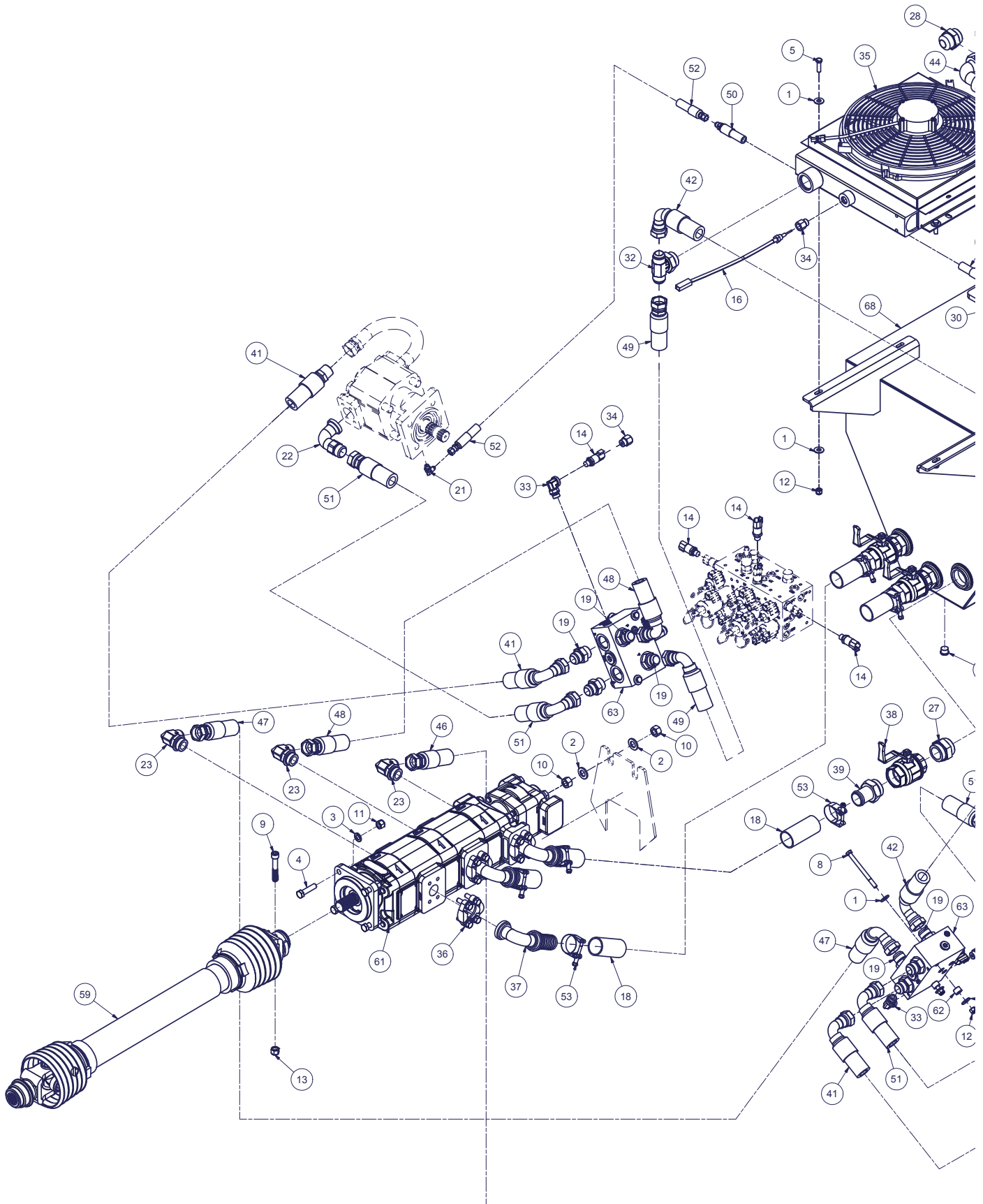
REF#	PARTS DESCRIPTION	REQ	PART#	TORQUE (ft-lbs)	TORQUE (Nm)
1	3/4 FLAT WASHER GR 5	1	11-0010		
2	5/16 FLAT WASHER GR 5	12	11-0015		
3	3/4 SAE FLAT WASHER GR 8	19	11-0039		
4	7/16 X 3-1/4 NC HEX CAP GR 5	8	11-0510	49.4	67.0
5	3/8 X 2-1/4 NC HEX CAP GR 5	4	11-0513	30.9	41.9
6	3/8 X 1-1/4 NC HEX CAPSCREW	4	11-0533	30.9	41.9
7	5/16 X 1 NC HEX CAP	4	11-0543	17.4	23.6
8	3/4 X 2-1/2 NC HEX CAPSCREW	2	11-0563	267.0	362.0
9	5/16 X 3/4 NC HEX CAP	4	11-0596	17.4	23.6
10	3/4 X 5 NC HEX CAP GR 8	1	11-0889	376.0	509.8
11	7/16 NC NYLOCK NUT	8	11-1003		
12	5/16 NC NYLOCK NUT	4	11-1023		
13	3/8 NC NYLOCK NUT	8	11-1024		
14	3/4 NC HEX NUT	2	11-1033		
15	3/4 NC NYLOCK NUT, GR. 8	10	11-1081		
16	1/4" ROLL PIN X 2"	22	11-2005		
17	#10 X 3/4 PHILLIPS HEAD SELF TAPPING SCREW	6	11-2101		
18	3/4 X 2-1/2 NC HEX CAP GR 8	9	11-2102	376.0	509.8
19	FLEX WING SAFETY CHAIN ASSEMBLY	1	12-0053		
20	3 X 10 WELDED CYLINDER	3	14-0001		
21	3 X 12 WELDED CYLINDER, SLUGGED	2	14-0004		
22	HARNESS, TRAILER, PULL BEHIND TRIPLE	10	16-0223		
23	LED TRAILER LIGHT	2	16-0229		
24	HARNESS, TRAILER LIGHTS	1	16-0247		
25	GREASE ZERK 1/8" STRAIGHT	12	23-0003		
26	GREASE ZERK 1/4" STRAIGHT	7	23-0004		
27	15" JACK - TOP WIND	1	24-0038		
28	THIRD LINK ARM	1	24-0268		
29	AXLE, PULL BEHIND TRIPLE, #13AG, 8000LB	1	24-0272		
30	CYLINDER PIN, 3-1/2"	11	27-0004		
31	LINKAGE PIN	4	27-0009		
32	TV140 TILT LINK FLAIL PIN	1	27-0018		
33	PIN 1-1/2 X 4-1/2 CAP	4	27-0509		
34	PIN, 1-1/2 X 7-3/8 HT & PLATED	4	27-0510		
35	LYNCH PIN, 5/16 X 1-9/16	1	27-1028		
36	DRAWBAR PIN, 1-1/4 X 8-1/2	1	27-1032		
37	PROXIMITY SWITCH BRACKET, SIDE	2	31-0588		
38	CAM, PROX SWITCH	2	31-0590		
39	PTO GUARD, PULL BEHIND TRIPLE	1	31-0595		
40	LINKAGE BOSS	4	34-0002		
41	BUSHING, HD 1"ID X 2"OD X 0.177"	9	34-0334		
42	WHEEL, PULL BEHIND TRIPLE	2	38-0012		
43	TIRE, 31/13.50-15, PULL BEHIND TRIPLE	2	38-0013		
44	PIVOT LINKAGE	2	41-0025		
45	LINKAGE ARM LEFT COMBO DRAFT BEAM	2	41-0026		
46	LINKAGE ARM RIGHT COMBO DRAFT BEAM	2	41-0027		
47	REAR TWIN FLAIL, LEFT DRAFT BEAM	1	41-1184		
48	REAR TWIN FLAIL, RIGHT DRAFT BEAM	1	41-1185		
49	3 POINT LIFT ASSEMBLY	1	41-1482		
50	HITCH PIVOT, PULL BEHIND TRIPLE	1	41-1489		
51	HITCH PIVOT MOUNT, PULL BEHIND TRIPLE	1	41-1490		
52	PULL BEHIND TRIPLE FRAME	1	41-5448		
53	HITCH PIVOT RETENTION RING	1	90-7041		

IMPLEMENT ASSEMBLIES - DECAL IDENTIFICATION, MAINFRAME

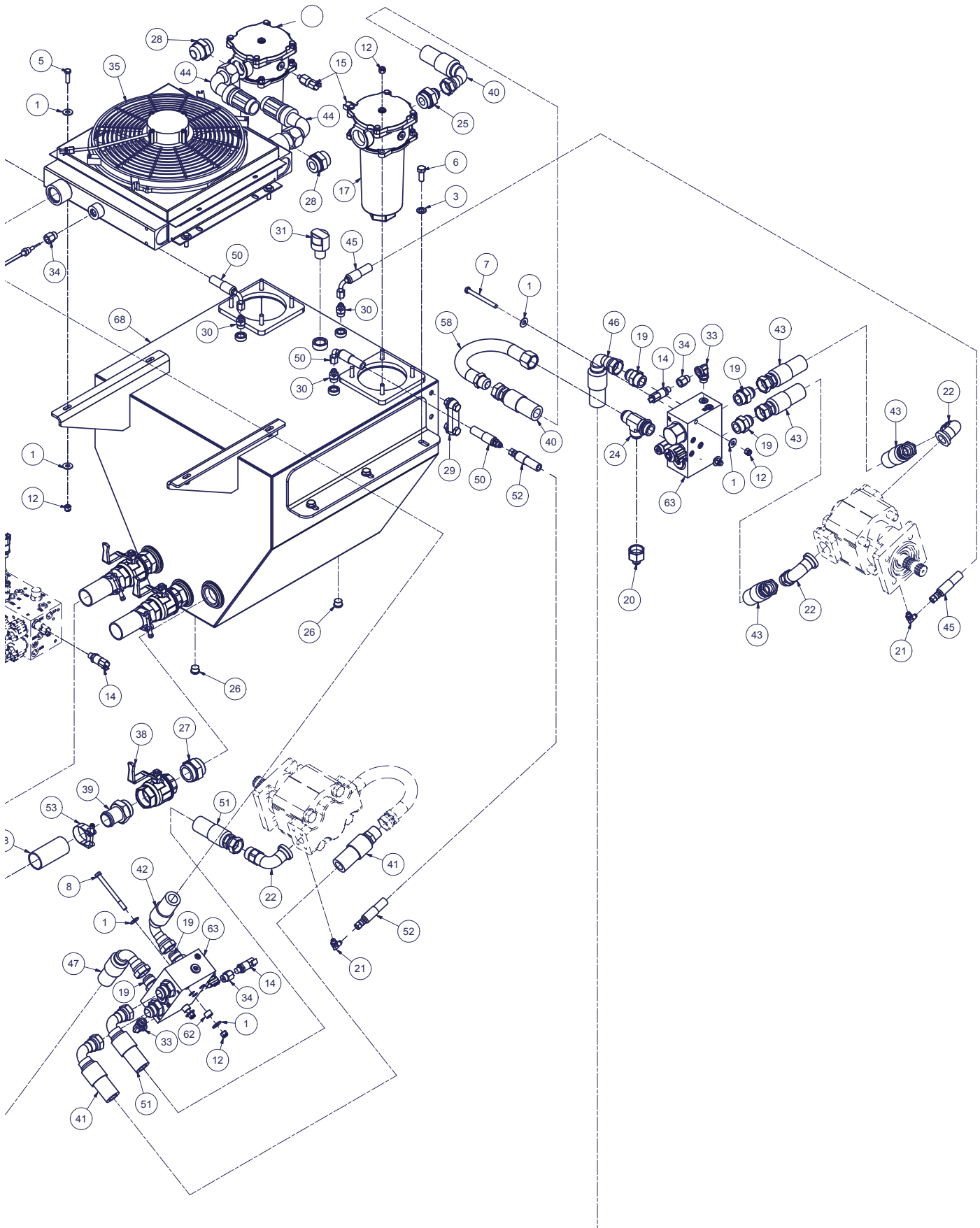
- ① SERIAL NUMBER LABEL - (not included in kit) - QTY 1
- ② PART #15-0010 - Valve Closed - QTY 2
- ③ PART #15-1060 - Oil ISO AW46 - QTY 2



IMPLEMENT ASSEMBLIES - MAINFRAME, DECK FEED 45-3802



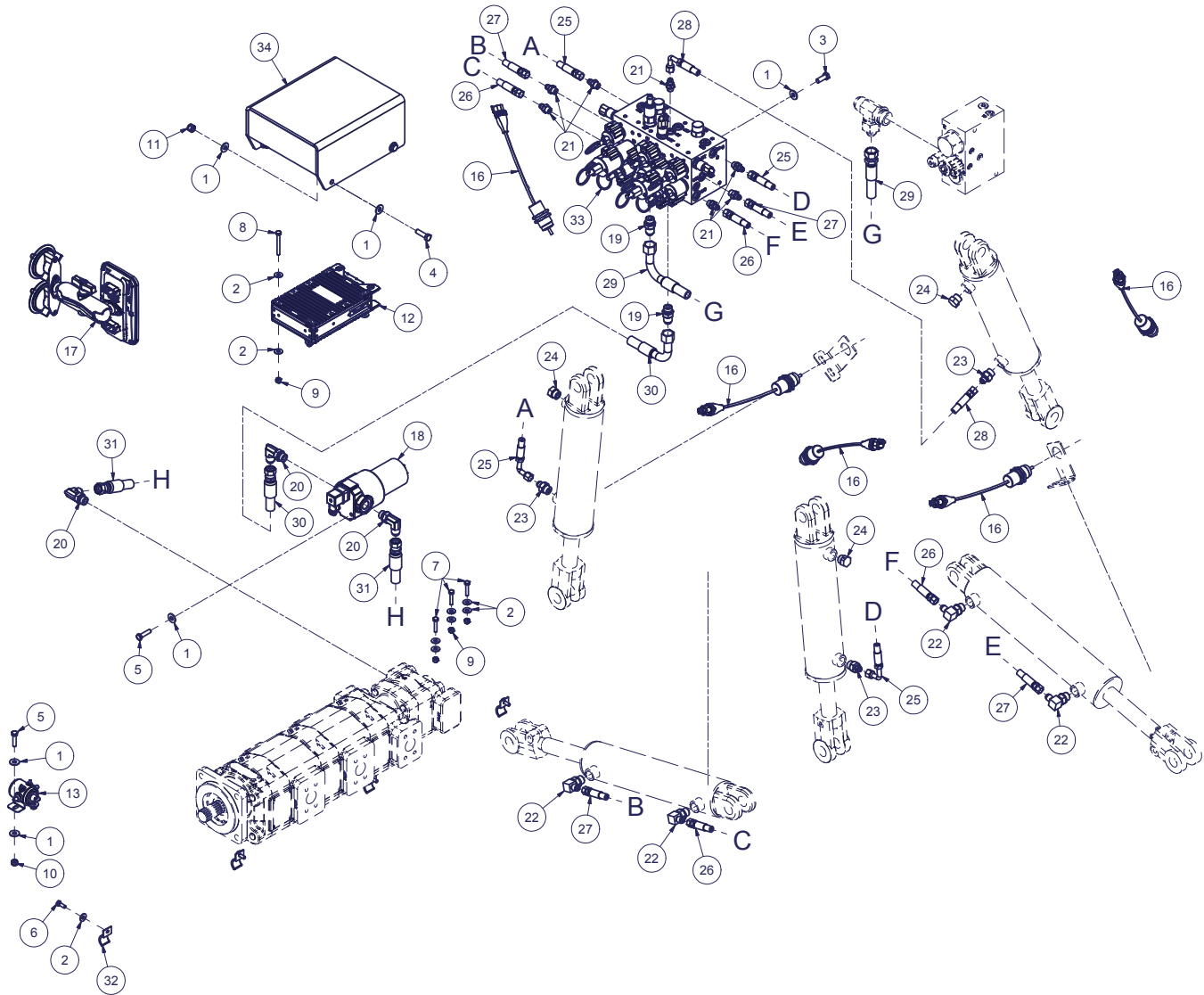
IMPLEMENT ASSEMBLIES - MAINFRAME, DECK FEED 45-3802



IMPLEMENT ASSEMBLIES - MAINFRAME, DECK FEED 45-3802

REF#	PARTS DESCRIPTION	REQ	PART#	TORQUE (ft-lbs)	TORQUE (Nm)
1	3/8 FLAT WASHER GR 5	20	11-0009		
2	5/8 SAE FLAT WASHER GR 8	4	11-0012		
3	1/2 SAE FLAT WASHER GR 8	10	11-0042		
4	1/2 X 2 NC HEX CAP GR5	4	11-0522	75.4	102.2
5	3/8 X 1-1/4 NC HEX CAPSCREW	4	11-0533	30.9	41.9
6	1/2 X 1-1/4 NC HEX CAP	6	11-0570	75.4	102.2
7	3/8 X 4 NC HEX CAP	2	11-0581	30.9	22.8
8	3/8 X 4-1/2 HEX HEAD BOLT	4	11-0680	30.9	22.8
9	1/2 -20 X 3" SHCS	1	11-0929	140.0	189.8
10	5/8 NC HEX NUT	4	11-1004		
11	1/2 NC NYLOCK NUT	4	11-1018		
12	3/8 NC NYLOCK NUT	18	11-1024		
13	1/2 NF NYLOCK NUT	1	11-1028		
14	PRESSURE TRANSDUCER, PULL BEHIND TRIPLE	6	16-0209		
15	PRESSURE SWITCH, FILTER HOUSING	2	16-0227		
16	TEMPERATURE SENSOR	1	16-0231		
17	FILTER ASSEMBLY, SAE O-RING	2	17-0014		
18	HOSE 1-1/2" SUCTION BULK	6	21-0001		
19	1MOR X 1MJIC, ADAPTER	11	21-1005		
20	1FJIC X 5/8MJIC REDUCER	1	21-1009		
21	1/4MJIC X 1/4MORB 90DEG, ADAPTER	3	21-1264		
22	#16 FLG X 1MJIC 90DEG ADAPTER	4	21-1274		
23	1MJIC X 1MORB-ADJ-90DEG	3	21-1284		
24	1MJ X 1MJ X 1MORB, TEE	1	21-1311		
25	1MJIC X 1-1/4MORB, ADAPTER	1	21-1477		
26	#8 MORB HOLLOW HEX PLUG	2	21-1478		
27	1-1/2 MORB X 1-1/2 MORB ADJ ADAPTER	3	21-1508		
28	1-1/4MJIC X 1-1/4MORB, ADAPT	2	21-1527		
29	SIGHT GLASS WITH TEMP GAUGE	1	21-1584		
30	ADAPTER, 3/8MJIC X 1/2MOR	3	21-1585		
31	BREATHER, HYDAC	1	21-1613		
32	TEE, 1MJIC X 1MJIC X 1-1/4MORB-ADJ	1	21-1614		
33	1/2MOR-ADJ X 1/2FORB 90	3	21-1635		
34	1/2MOR X 3/8FORB	4	21-1636		
35	OIL COOLER AND FAN ASSEMBLY, 60,000 BTU/HOUR, TRAILER TRIPLE	1	21-1671		
36	#20 FLANGE KIT	6	21-2105		
37	#20FLG-90DEG X 1-1/2 KING NIPPLE	3	21-2109		
38	1-1/2" SAE BALL VALVE	3	21-2182		
39	1-1/2" SAE KING NIPPLE LONG	3	21-2183		
40	HOSE 1 X 22 (1FJIC-90DEG X 1FJIC)	2	21-3647		
41	HOSE 1 X 66 (1FJIC-90DEG X 1MP)	4	21-3702		
42	HOSE 1 X 29 (1FJIC-90DEG X 1FJIC)	2	21-3723		
43	HOSE 1 X 96 (1FJIC X 1FJIC)	4	21-4327		
44	HOSE, 1-1/4 X 13-1/2 (1-1/4FJIC-90 X 1-1/4FJIC 90 OPPOSITE)	2	21-4417		
45	HOSE, 3/8 X 120 (1/4FJIC X 3/8FJIC-90DEG)	2	21-4420		
46	HOSE, 1 X 108 (1FJIC-90 X 1FJIC)	2	21-4471		
47	HOSE, 1 X 53 (1FJIC-90 X 1FJIC)	2	21-4472		
48	HOSE, 1 X 47 (1FJIC-90 X 1FJIC)	2	21-4473		
49	HOSE, 1 X 18 (1FJIC-90 X 1FJIC)	2	21-4474		
50	HOSE, 3/8 X 63 (3/8FJIC-90 X 3/8MJIC)	4	21-4475		
51	HOSE, 1 X 58 (1FJIC-90 X 1FJIC)	4	21-4476		
52	HOSE, 3/8 X 67 (3/8FJIC X 1/4FJIC)	4	21-4477		
53	BANDIT CLAMP	6	24-0014		
54	90 SIDE FLAIL, LEFT, PULL BEHIND TRIPLE	1	25-0216		
55	90 SIDE FLAIL, RIGHT, PULL BEHIND TRIPLE	1	25-0217		
56	102 REAR FLAIL, CENTER, HYD DRIVE	1	25-0219		
58	PREFORMED TUBE, 180, MJIC X FJIC	1	28-0085		
59	DRIVELINE, PULL BEHIND TRIPLE, 1000RPM CV JOINT, 1-1/4" 14 SPLINE	1	29-0182		
61	QUAD PUMP, 4 SECTION TANDEM, PTO DRIVE	1	30-0539		
62	1/2" BV SPACER	4	34-0096		
63	PUMP UNLOADING VALVE	3	39-0106		
65	REAR TWIN FLAIL, LEFT DRAFT BEAM	1	41-1184		
66	REAR TWIN FLAIL, RIGHT DRAFT BEAM	1	41-1185		
67	PULL BEHIND TRIPLE FRAME	1	41-5448		
68	TANK, PULL BEHIND TRIPLE	1	47-0105		

IMPLEMENT ASSEMBLIES - MAINFRAME, LIFT FEED 45-4784

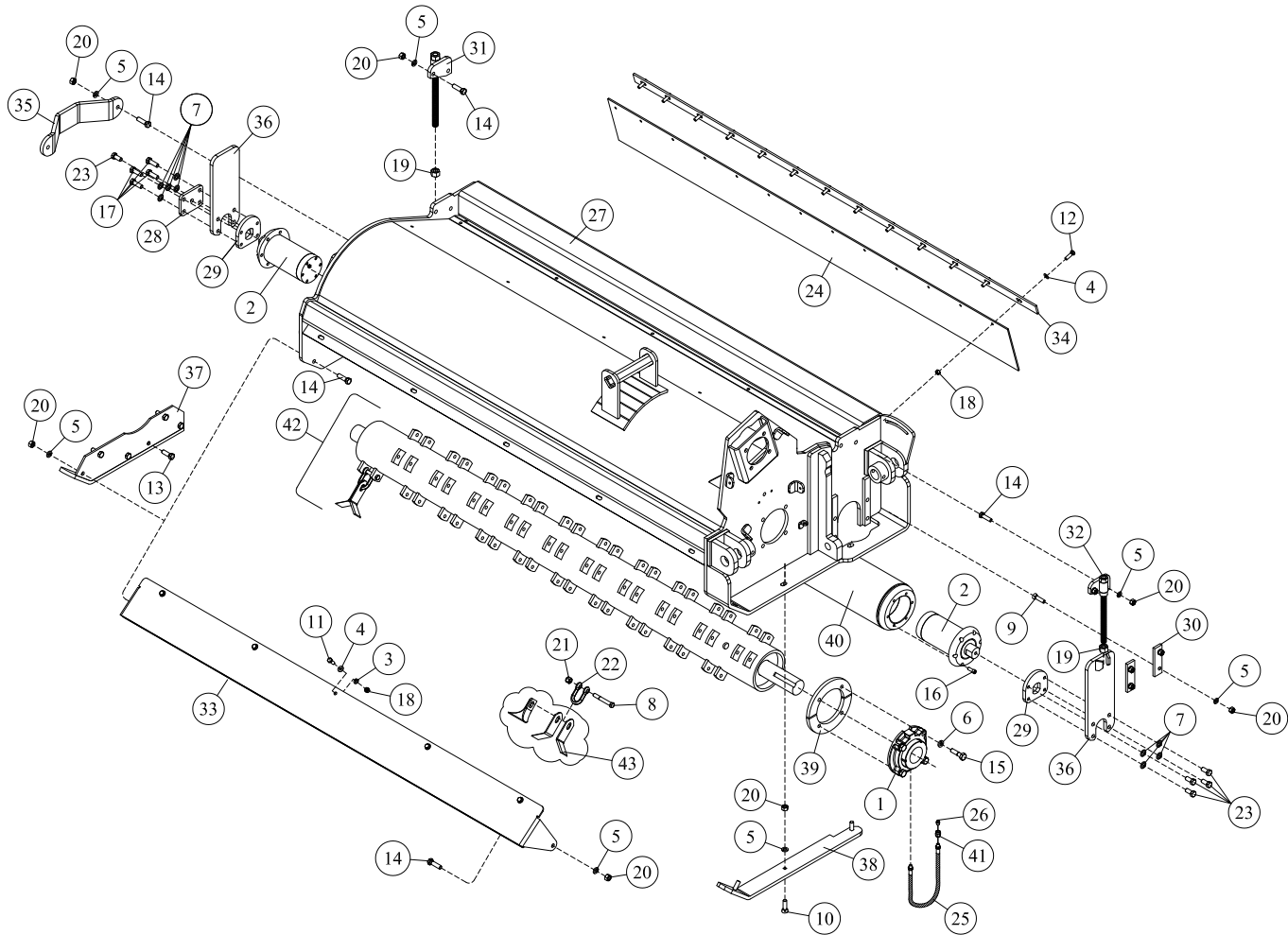


REF#	PARTS DESCRIPTION	REQ	PART#	TORQUE (ft-lbs)	TORQUE (Nm)
1	5/16 FLAT WASHER GR 5	18	11-0015		
2	1/4 FLAT WASHER GR 5	18	11-0023		
3	3/8 X 1 NC HEX CAP	4	11-0532	30.9	41.9
4	3/8 X 1-1/4 NC HEX CAPSCREW	4	11-0533	30.9	41.9
5	5/16 X 1-1/4 NC HEX CAP	4	11-0539	17.4	23.6
6	1/4 X 3/4 NC HEX CAP	4	11-0588	8.5	11.5
7	1/4 X 1-1/4 NC HEX CAP	3	11-0702	8.5	11.5
8	1/4 X 2-1/4 NC HEX BOLT	4	11-0777	8.5	11.5
9	1/4 NC NYLOCK NUT	7	11-1022		
10	5/16 NC NYLOCK NUT	2	11-1023		
11	3/8 NC NYLOCK NUT	4	11-1024		
12	ELECTRONIC CONTROL UNIT	1	16-0206		
13	SOLENOID	1	16-0210		
14	HARNASS, TRACTOR, (NOT SHOWN)	1	16-0224		
15	HARNASS, CAB, (NOT SHOWN)	1	16-0225		
16	PROXIMITY SWITCH, INDUCTIVE SENSOR	5	16-0226		
17	DISPLAY/RAM MOUNT KIT	1	16-0232		

REF#	PARTS DESCRIPTION	REQ	PART#	TORQUE (ft-lbs)	TORQUE (Nm)
18	HIGH PRESSURE FILTER	1	17-0037		
19	1/2MJ X 1/2OR, ADAPTER	2	21-1180		
20	1/2MJIC X 1/2MORB-90DEG ADAPTER	3	21-1277		
21	ADAPTER 3/8 MJIC X 3/8 MOR	7	21-1401		
22	3/8MJIC X 1/2MORB-90DEG	4	21-1403		
23	ADAPTER, 3/8MJIC X 1/2MOR	3	21-1585		
24	BREATHER 1/2 O-RING	3	21-2116		
25	HOSE, 1/4 X 23 (3/8FJIC-90 X 3/8FJIC)	4	21-4478		
26	HOSE, 1/4 X 40 (3/8FJIC X 3/8FJIC)	4	21-4479		
27	HOSE, 1/4 X 54 (3/8FJIC X 3/8FJIC)	4	21-4480		
28	HOSE, 1/4 X 79 (3/8FJIC-90 X 3/8FJIC)	2	21-4481		
29	HOSE, 1/2 X 98 (1/2FJIC-90 X 5/8FJIC)	2	21-4482		
30	HOSE, 1/2 X 22 (1/2FJIC-90 X 1/2FJIC)	2	21-4483		
31	HOSE, 1/2 X 48 (1/2FJIC X 1/2FJIC)	2	21-4484		
32	HALF CLIP CABLE CLAMP, 5/8"	4	24-0284		
33	MANIFOLD, PULL BEHIND TRIPLE FLAIL	1	39-0107		
34	ECU COVER	1	41-1565		

FLAIL HEADS

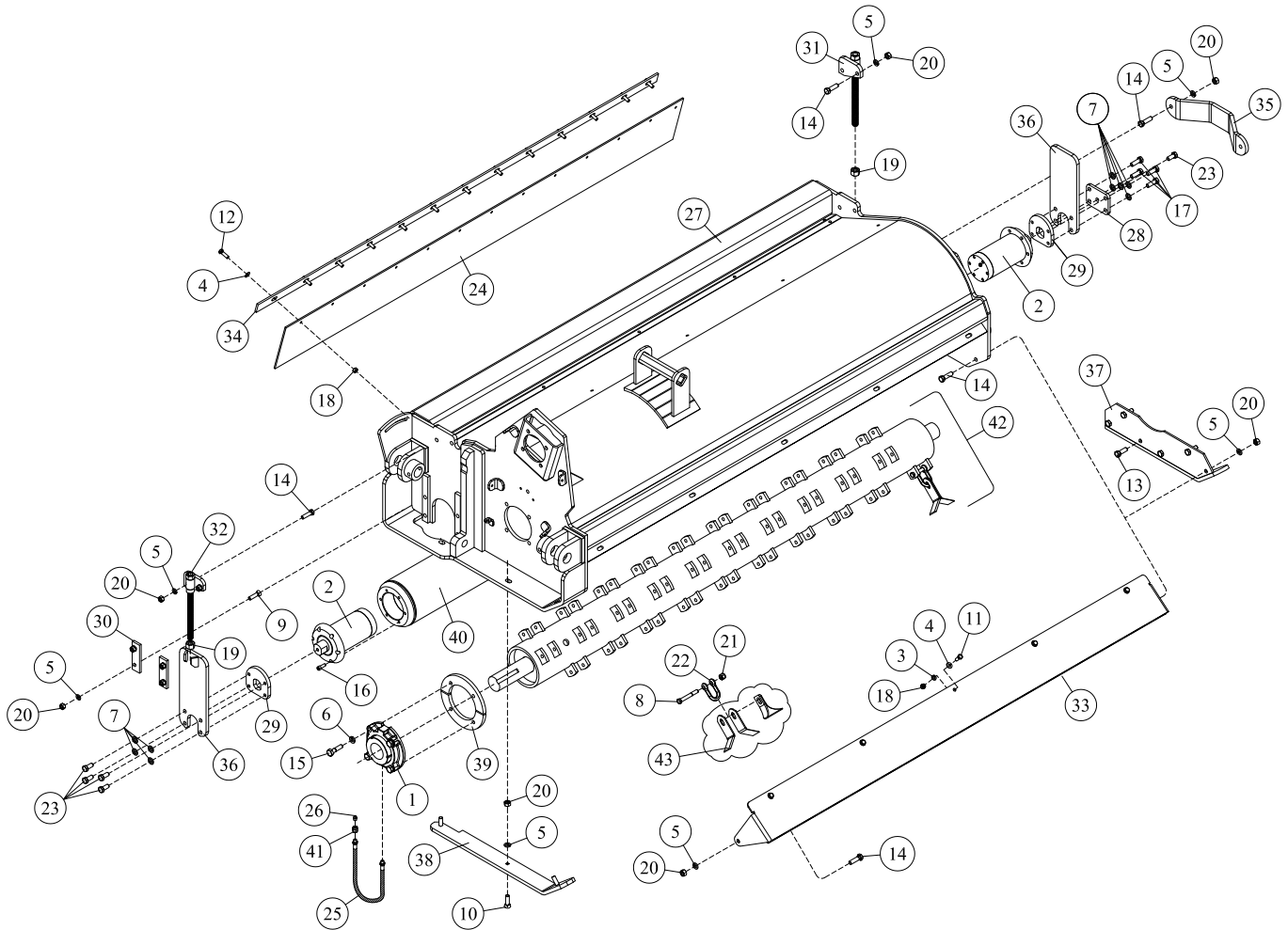
SIDE HD FLAIL HEAD - 75" CUTTER ASSEMBLY, RIGHT SIDE



REF#	PARTS DESCRIPTION	REQ	PART #
1	CUTTERSHAFT BEARING	2	10-0006
2	OIL BATH REPLACEMENT BEARING	2	10-1067
3	3/8 LOCK WASHER	5	11-0005
4	3/8 FLAT WASHER	18	11-0009
5	1/2 LOCK WASHER	24	11-0011
6	1/2 H.S. LOCK WASHER	8	11-0036
7	1/2 SAE FLAT WASHER GR 8	9	11-0042
8	KNIFE MOUNTING BOLT	40	11-0506
9	1/2 X 2 NC PLOW BOLT	8	11-0515
10	1/2 X 1-3/4 NC PLOW BOLT	3	11-0530
11	3/8 X 1 NC HEX CAPSCREW	5	11-0532
12	3/8 X 1-1/4 NC HEX CAPSCREW	13	11-0533
13	1/2 X 1-1/2 NC HEX CAPSCREW	5	11-0534
14	1/2 X 1-3/4 NC HEX CAPSCREW	8	11-0535
15	1/2 X 2 H.S. NF HEX CAPSCREW	8	11-0633
16	3/8 X 1 H.S. NC SKT HEAD	12	11-0752
17	1/2-13 X 1-1/2 GR 8 HEX CAP SCREW	4	11-0972
18	3/8 NC HEX NUT	18	11-1001
19	3/4 - 6 ACME HEX NUT	2	11-1012
20	1/2 NC HEX NUT	24	11-1016
21	7/16 NYLOCK JAM NUT	40	11-1146
22	CLEVIS	40	11-1501
23	1/2-13 X 1-1/8 GR 8 HEX CAP SCREW	5	11-2154
24	75" FLAP	1	18-0011
25	GREASE ZERK HOSE	1	21-0002
26	1/8" GREASE ZERK	2	23-0003
27	75" RIGHT FLAIL BONNET (TTF)	1	25-0226

REF#	PARTS DESCRIPTION	REQ	PART #
28	GROUND ROLLER MOUNT PLATE	1	31-0755
29	GROUND ROLLER BOLT PLATE INTERIM	2	31-0761
30	LOCK PLATE	4	41-0003
31	ADJUSTMENT ROD OUTSIDE	1	41-0005
32	ADJUSTMENT ROD INSIDE	1	41-0006
33	75" TRASH GUARD	1	41-0036
34	75" FLAP BAR	1	41-0068
35	CUTTERSHAFT GUARD	1	41-0097
36	ADJUSTMENT BRKT W-O TAPPED HOLES	2	41-1774
37	OUTER SKID SHOE	1	42-0010
38	INNER SKID SHOE	1	42-0013
39	BEARING GUARD	4	46-0018
40	75" GROUND ROLLER	1	46-0051
41	1/8" BRASS COUPLER	1	9996
42	****CUTTER SHAFTS COMPLETE****		
	75" CUTTER SHAFT, SMOOTH CUT KNIVES	Opt.	46-1018
	75" CUTTER SHAFT, 3/16" HD KNIVES	1	46-1010
43	****FLAIL KNIVES****		
	SMOOTH CUT FLAIL KNIFE	40	22-1006
	3/6" HD FLAIL KNIFE	80	22-1016
44	BLADE KITS		
	SIDE FLAIL ONLY		
	Includes 11-0506, 11-1146, & 22-1006 (smooth)	1	44-0263
	Includes 11-0506, 11-1146, & 22-1016 (HD)	1	44-0242
	TRIPLE FLAIL (75" sides, 102" rear)		
	Includes 11-0506, 11-1146, & 22-1006 (smooth)	1	44-0265
	Includes 11-0506, 11-1146, & 22-1016 (HD)	1	44-0249

SIDE HD FLAIL HEAD - 75" CUTTER ASSEMBLY, LEFT SIDE

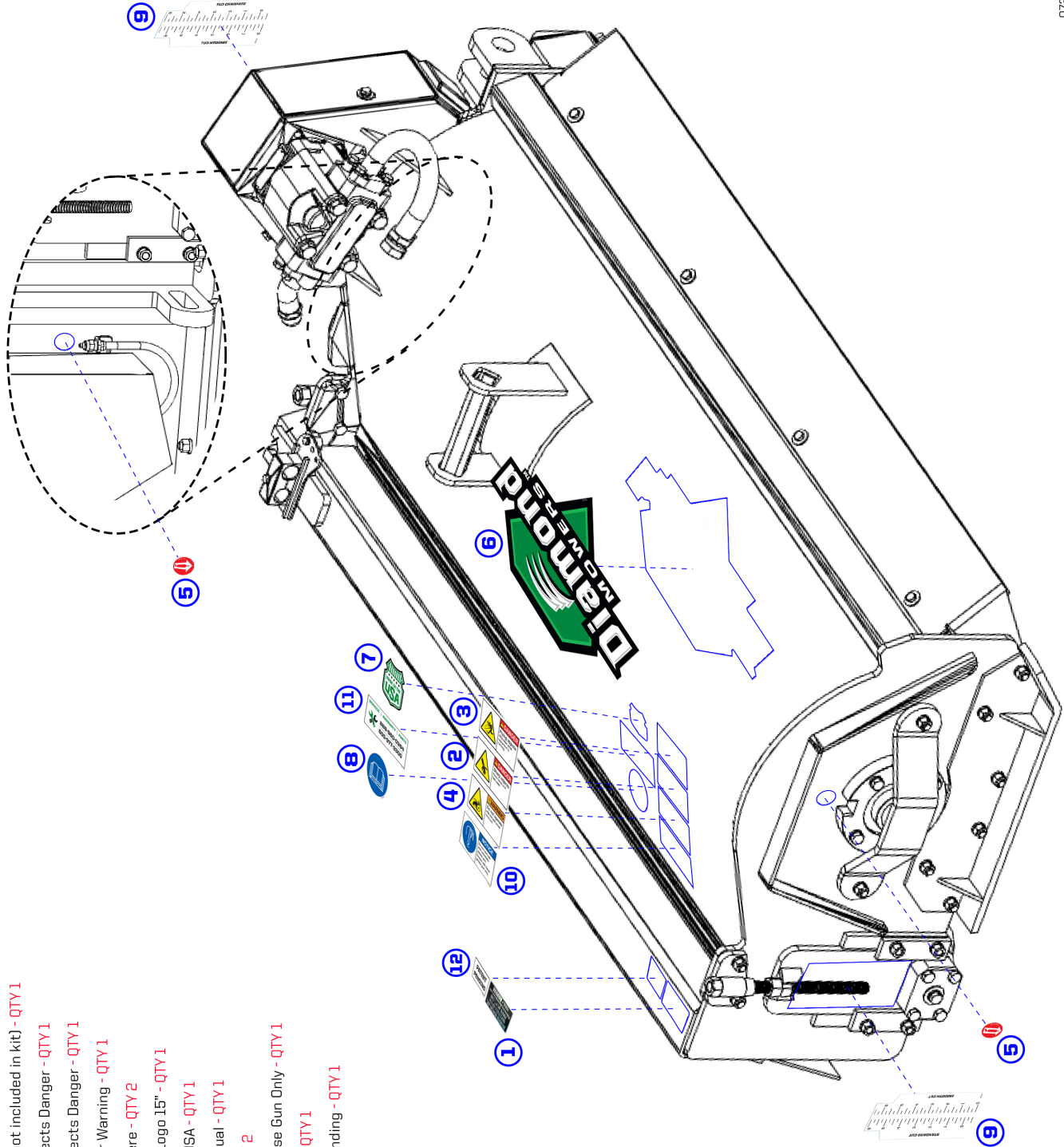


REF#	PARTS DESCRIPTION	REQ	PART #
1	CUTTERSHAFT BEARING	2	10-0006
2	OIL BATH REPLACEMENT BEARING	2	10-1067
3	3/8 LOCK WASHER	5	11-0005
4	3/8 FLAT WASHER	18	11-0009
5	1/2 LOCK WASHER	24	11-0011
6	1/2 H.S. LOCK WASHER	8	11-0036
7	1/2 SAE FLAT WASHER GR 8	9	11-0042
8	KNIFE MOUNTING BOLT	40	11-0506
9	1/2 X 2 NC PLOW BOLT	8	11-0515
10	1/2 X 1-3/4 NC PLOW BOLT	3	11-0530
11	3/8 X 1 NC HEX CAPSCREW	5	11-0532
12	3/8 X 1-1/4 NC HEX CAPSCREW	13	11-0533
13	1/2 X 1-1/2 NC HEX CAPSCREW	5	11-0534
14	1/2 X 1-3/4 NC HEX CAPSCREW	8	11-0535
15	1/2 X 2 H.S. NF HEX CAPSCREW	8	11-0633
16	3/8 X 1 H.S. NC SKT HEAD	12	11-0752
17	1/2-13 X 1-1/2 GR 8 HEX CAP SCREW	4	11-0972
18	3/8 NC HEX NUT	18	11-1001
19	3/4 - 6 ACME HEX NUT	2	11-1012
20	1/2 NC HEX NUT	24	11-1016
21	7/16 NYLOCK JAM NUT	40	11-1146
22	CLEVIS	40	11-1501
23	1/2-13 X 1-1/8 GR 8 HEX CAP SCREW	5	11-2154
24	75" FLAP	1	18-0011
25	GREASE ZERK HOSE	1	21-0002
26	1/8" GREASE ZERK	2	23-0003
27	75" LEFT FLAIL BONNET (TTF)	1	25-0225

REF#	PARTS DESCRIPTION	REQ	PART #
28	GROUND ROLLER MOUNT PLATE	1	31-0755
29	GROUND ROLLER BOLT PLATE INTERIM	2	31-0761
30	LOCK PLATE	4	41-0003
31	ADJUSTMENT ROD OUTSIDE	1	41-0005
32	ADJUSTMENT ROD INSIDE	1	41-0006
33	75" TRASH GUARD	1	41-0036
34	75" FLAP BAR	1	41-0068
35	CUTTERSHAFT GUARD	1	41-0097
36	ADJUSTMENT BRKT W-O TAPPED HOLES	2	41-1774
37	OUTER SKID SHOE	1	42-0018
38	INNER SKID SHOE	1	42-0019
39	BEARING GUARD	4	46-0018
40	75" GROUND ROLLER	1	46-0051
41	1/8" BRASS COUPLER	1	9996
42	****CUTTER SHAFTS COMPLETE****		
	75" CUTTER SHAFT, SMOOTH CUT KNIVES	Opt.	46-1018
	75" CUTTER SHAFT, 3/16" HD KNIVES	1	46-1010
43	****FLAIL KNIVES****		
	SMOOTH CUT FLAIL KNIFE	40	22-1006
	3/6" HD FLAIL KNIFE	80	22-1016
44	BLADE KITS		
	SIDE FLAIL ONLY		
	Includes 11-0506, 11-1146, & 22-1006 (smooth)	1	44-0263
	Includes 11-0506, 11-1146, & 22-1016 (HD)	1	44-0242
	TRIPLE FLAIL (75" sides, 102" rear)		
	Includes 11-0506, 11-1146, & 22-1006 (smooth)	1	44-0265
	Includes 11-0506, 11-1146, & 22-1016 (HD)	1	44-0249

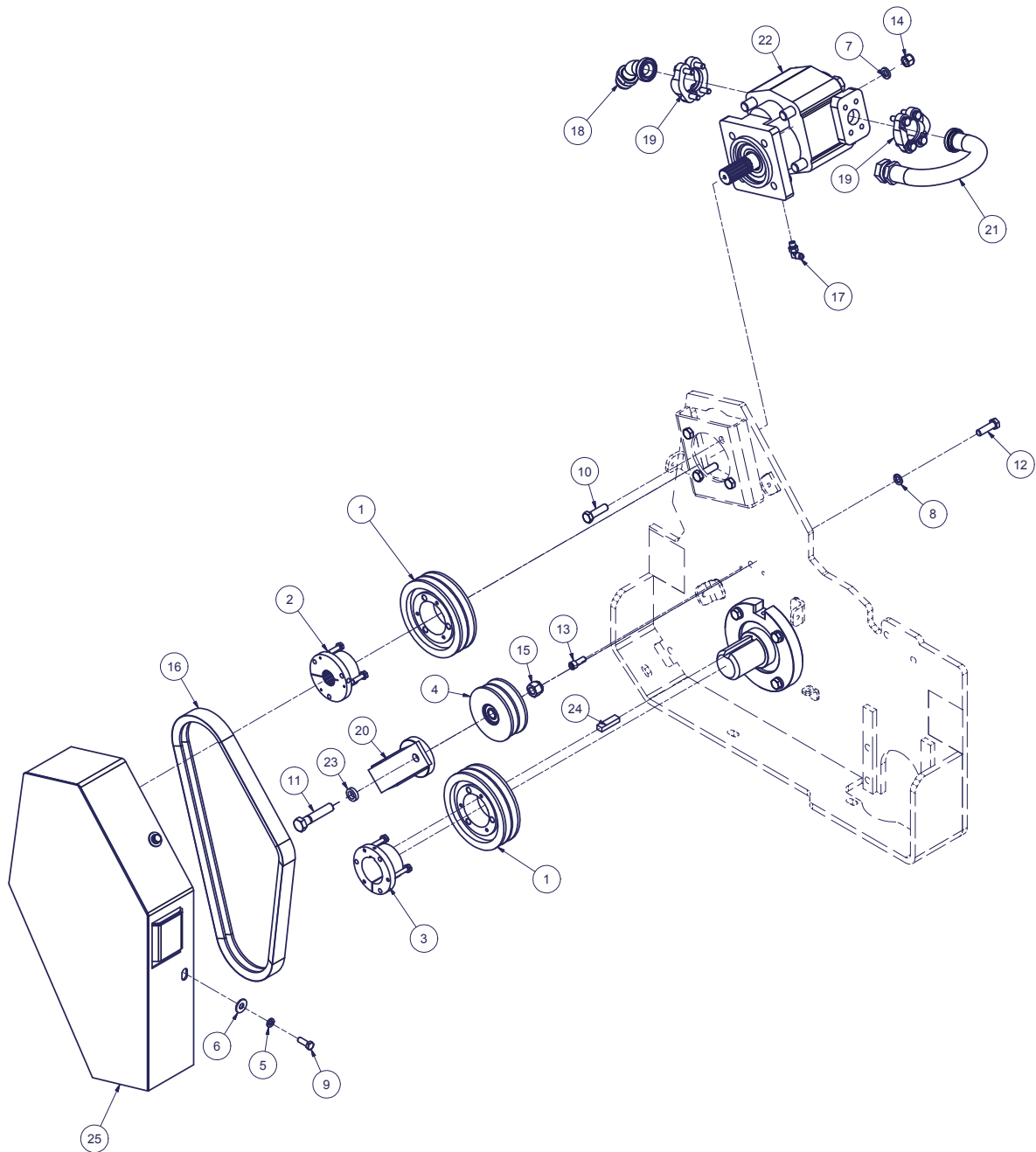
DECAL IDENTIFICATION - SIDE FLAIL

072518



- ① SERIAL NUMBER LABEL - (not included in kit) - QTY 1
- ② PART #15-0001 - Sharp Objects Danger - QTY 1
- ③ PART #15-0002 - Flying Objects Danger - QTY 1
- ④ PART #15-0003 - Belt Cover Warning - QTY 1
- ⑤ PART #15-0005 - Grease Here - QTY 2
- ⑥ PART #15-0054 - Diamond Logo 15" - QTY 1
- ⑦ PART #15-0055 - Made In USA - QTY 1
- ⑧ PART #15-0058 - Read Manual - QTY 1
- ⑨ PART #15-1001 - Ruler - QTY 2
- ⑩ PART #15-1003 - Hand Grease Gun Only - QTY 1
- ⑪ PART #15-1016 - Warranty - QTY 1
- ⑫ PART #15-0067 - Patent Pending - QTY 1

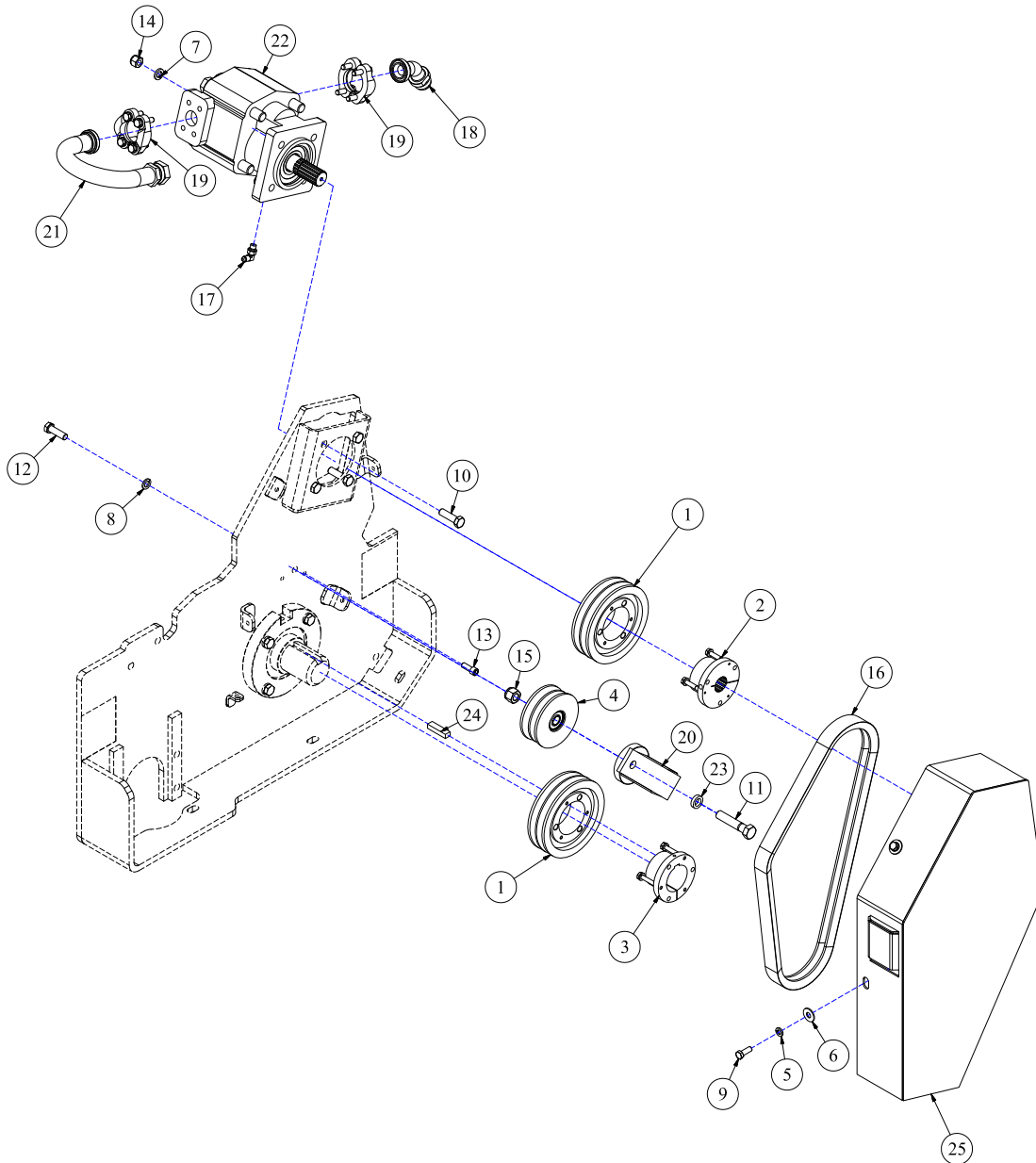
SIDE HD FLAIL HEAD - 75" DRIVE ASSEMBLY, RIGHT



REF#	PARTS DESCRIPTION	REQ	PART#	TORQUE (ft-lbs)	TORQUE (Nm)
1	SHEAVE 6.3	2	10-1007		
2	BUSHING TAPERLOCK 1-1/4 14 SPLINED	1	10-1010		
3	BUSHING TAPERLOCK 2-3/16	1	10-1012		
4	SHEAVE, IDLER ASSY	1	10-1016		
5	3/8 LOCK WASHER GR 5	4	11-0005		
6	3/8 FLAT WASHER GR 5	4	11-0009		
7	1/2 LOCK WASHER GR 5	4	11-0011		
8	12MM LOCK WASHER GR 10.9	1	11-0031		
9	3/8 X 1 NC HEX CAP	4	11-0532	30.9	41.9
10	1/2 X 1-3/4 NC HEX CAP, GR 5	4	11-0535	75.4	102.2

REF#	PARTS DESCRIPTION	REQ	PART#	TORQUE (ft-lbs)	TORQUE (Nm)
11	5/8 X 3 NC HEX CAP	1	11-0558	150.1	203.5
12	12MM X 40MM X 1.75 HEX CAP	1	11-0672	64.9	88.0
13	3/8 X 1 H.S. NC SKT HEAD	1	11-0752	50.9	69.0
14	1/2 NC NYLOCK NUT	4	11-1018		
15	5/8 NC NYLOCK NUT	1	11-1025		
16	DOUBLE 530 V BELT	1	12-0007		
17	1/4MJIC X 1/4MORB 90DEG, ADAPTER	1	21-1264		
18	1MJIC X #16 FLANGE 45 DEG ADAPTER	1	21-1280		
19	#16 FLANGE KIT	4	21-2145		
20	SE27 ROSTA TENSIONER 5/8" HOLE	1	24-0081		
21	TUBE PREFORMED D3F FLAIL #16FLG X 180 DEG.	1	28-0016		
22	MOTOR M350 1" GEAR	1	30-0511		
23	SPACER, IDLER ARM	1	34-0033		
24	CUTTERSHAFT KEY 1/2 X 3/8 X 1-3/4	1	37-0021		
25	COVER ASSEMBLY	1	41-0430		

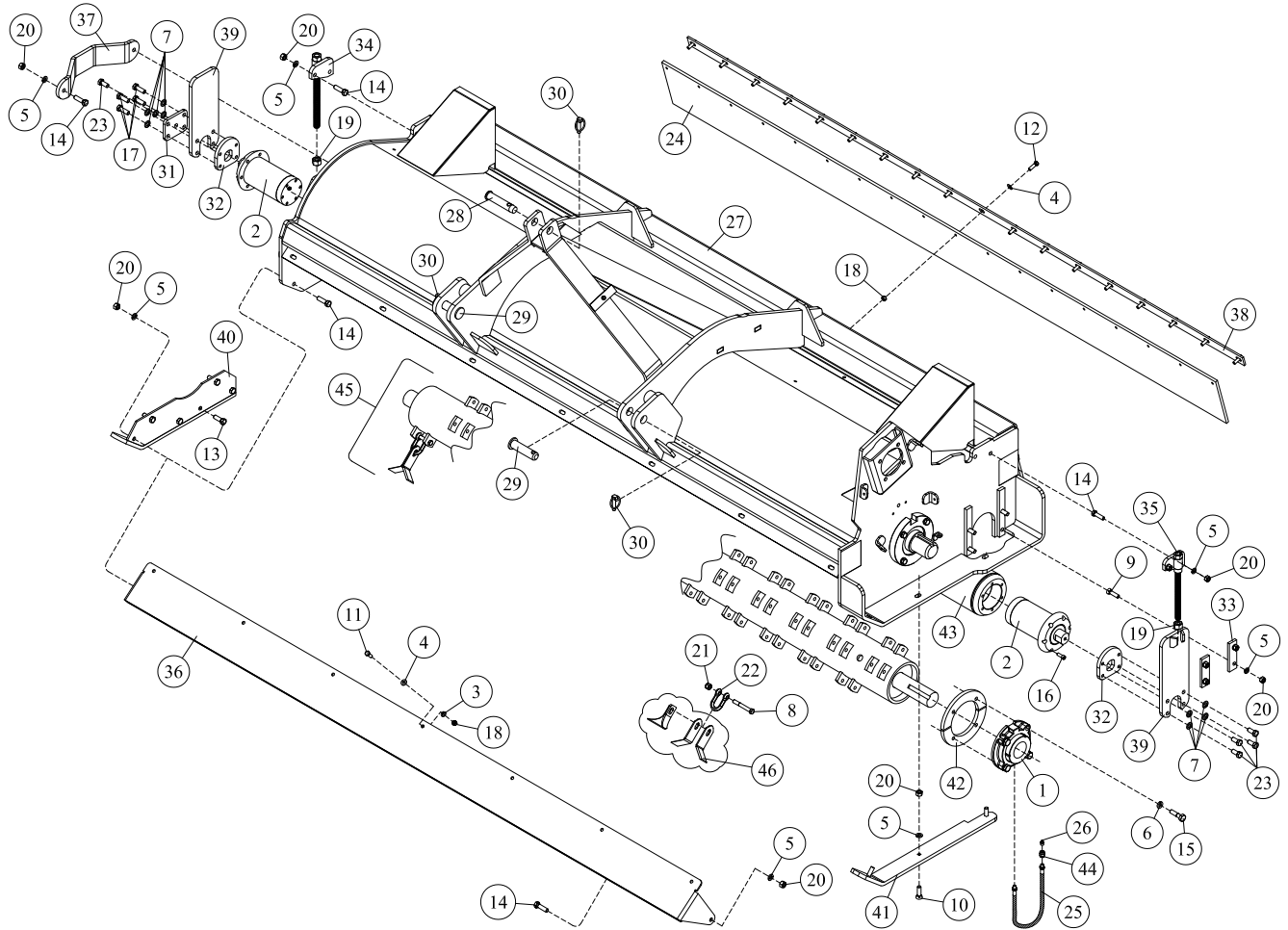
SIDE HD FLAIL HEAD - 75" DRIVE ASSEMBLY, LEFT



REF#	PARTS DESCRIPTION	REQ	PART#	TORQUE (ft-lbs)	TORQUE (Nm)
1	SHEAVE 6.3	2	10-1007		
2	BUSHING TAPERLOCK 1-1/4 14 SPLINED	1	10-1010		
3	BUSHING TAPERLOCK 2-3/16	1	10-1012		
4	SHEAVE, IDLER ASSY	1	10-1016		
5	3/8 LOCK WASHER GR 5	4	11-0005		
6	3/8 FLAT WASHER GR 5	4	11-0009		
7	1/2 LOCK WASHER GR 5	4	11-0011		
8	12MM LOCK WASHER GR 10.9	1	11-0031		
9	3/8 X 1 NC HEX CAP	4	11-0532	30.9	41.9
10	1/2 X 1-3/4 NC HEX CAP, GR 5	4	11-0535	75.4	102.2
11	5/8 X 3 NC HEX CAP	1	11-0558	150.1	203.5
12	12MM X 40MM X 1.75 HEX CAP	1	11-0672	64.9	88.0
13	3/8 X 1 H.S. NC SKT HEAD	1	11-0752	50.9	69.0
14	1/2 NC NYLOCK NUT	4	11-1018		
15	5/8 NC NYLOCK NUT	1	11-1025		

REF#	PARTS DESCRIPTION	REQ	PART#	TORQUE (ft-lbs)	TORQUE (Nm)
16	DOUBLE 530 V BELT	1	12-0007		
17	1/4MJIC X 1/4MORB 90DEG, ADAPTER	1	21-1264		
18	1MJIC X #16 FLANGE 45 DEG ADAPTER	1	21-1280		
19	#16 FLANGE KIT	4	21-2145		
20	SE27 ROSTA TENSIONER 5/8" HOLE	1	24-0081		
21	TUBE PREFORMED D3F FLAIL #16FLG X 180 DEG.	1	28-0016		
22	MOTOR M350 1" GEAR	1	30-0511		
23	SPACER, IDLER ARM	1	34-0033		
24	CUTTERSHAFT KEY 1/2 X 3/8 X 1-3/4	1	37-0021		
25	COVER ASSEMBLY	1	41-0430		

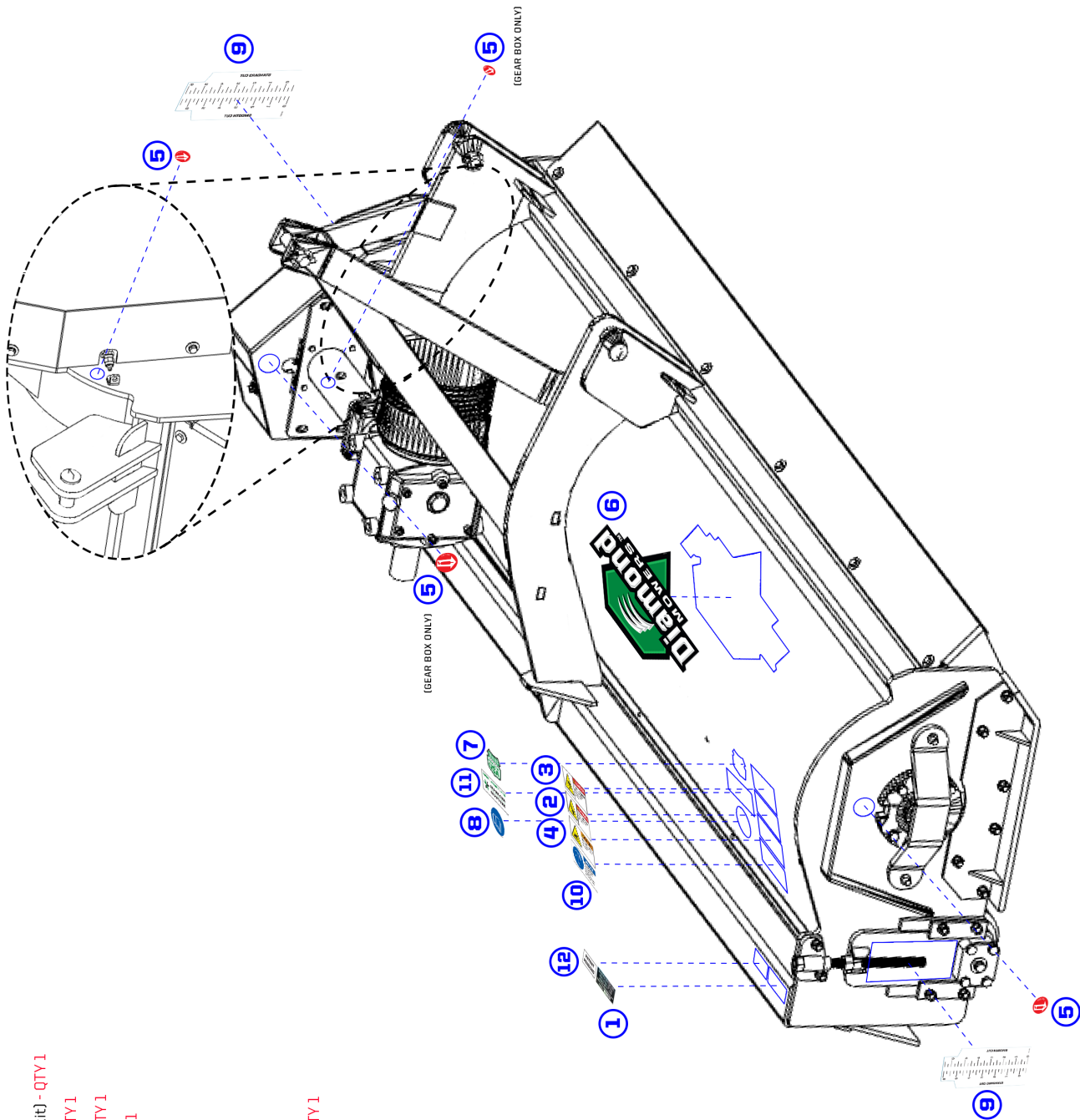
REAR HD FLAIL HEAD - 102" CUTTER ASSEMBLY



REF#	PARTS DESCRIPTION	REQ	PART #
1	CUTTERSHAFT BEARING	2	10-0006
2	OIL BATH REPLACEMENT BEARING	2	10-1067
3	3/8 LOCK WASHER	7	11-0005
4	3/8 FLAT WASHER	25	11-0009
5	1/2 LOCK WASHER	24	11-0011
6	1/2 H.S. LOCK WASHER	8	11-0036
7	1/2 SAE FLAT WASHER GR 8	9	11-0042
8	KNIFE MOUNTING BOLT	54	11-0506
9	1/2 X 2 NC PLOW BOLT	8	11-0515
10	1/2 X 1-3/4 NC PLOW BOLT	3	11-0530
11	3/8 X 1 NC HEX CAPSCREW	7	11-0532
12	3/8 X 1-1/4 NC HEX CAPSCREW	18	11-0533
13	1/2 X 1-1/2 NC HEX CAPSCREW	5	11-0534
14	1/2 X 1-3/4 NC HEX CAPSCREW	8	11-0535
15	1/2 X 2 H.S. NF HEX CAPSCREW	8	11-0633
16	3/8 X 1 H.S. NC SKT HEAD	12	11-0752
17	1/2-13 X 1-1/2 GR 8 HEX CAP SCREW	4	11-0972
18	3/8 NC HEX NUT	25	11-1001
19	3/4 - 6 ACME HEX NUT	2	11-1012
20	1/2 NC HEX NUT	24	11-1016
21	7/16 NYLOCK JAM NUT	54	11-1146
22	CLEVIS	54	11-1501
23	1/2-13 X 1-1/8 GR 8 HEX CAP SCREW	5	11-2154
24	102" FLAP	1	18-0012
25	GREASE ZERK HOSE	1	21-0002
26	1/8" GREASE ZERK	2	23-0003
27	102" REAR FLAIL, CENTER MNT, HYD DRV	1	25-0219
28	TOP 3-PT PIN	1	27-0007
29	BOTTOM 3-PT PIN	2	27-0016

REF#	PARTS DESCRIPTION	REQ	PART #
30	LYNCH PIN	3	27-1005
31	GROUND ROLLER MOUNT PLATE	1	31-0755
32	GROUND ROLLER BOLT PLATE INTERIM	2	31-0761
33	LOCK PLATE	4	41-0003
34	ADJUSTMENT ROD RIGHT	1	41-0005
35	ADJUSTMENT ROD LEFT	1	41-0006
36	102" TRASH GUARD	1	41-0031
37	CUTTERSHAFT GUARD	1	41-0097
38	102" FLAP BAR	1	41-0127
39	ADJUSTMENT BRKT W-O TAPPED HOLES	2	41-1774
40	OUTER SKID SHOE	1	42-0010
41	INNER SKID SHOE	1	42-0013
42	BEARING GUARD	4	46-0018
43	102" GROUND ROLLER	1	46-0052
44	1/8" BRASS COUPLER	1	9996
45	****CUTTER SHAFTS COMPLETE****		
	102" CUTTER SHAFT, SMOOTH CUT KNIVES	Opt.	46-1014
	102" CUTTER SHAFT, 3/16" STD KNIVES	1	46-1016
46	****FLAIL KNIVES****		
	SMOOTH CUT FLAIL KNIFE	Avail.	22-1006
	3/6" HD FLAIL KNIFE	Avail.	22-1016
47	BLADE KITS		
	SIDE FLAIL ONLY		
	Includes 11-0506, 11-1146, & 22-1006 (smooth)	1	44-0260
	Includes 11-0506, 11-1146, & 22-1016 (HD)	1	44-0243
	TRIPLE FLAIL (90" sides, 102" rear)		
	Includes 11-0506, 11-1146, & 22-1006 (smooth)	1	44-0264
	Includes 11-0506, 11-1146, & 22-1016 (HD)	1	44-0250

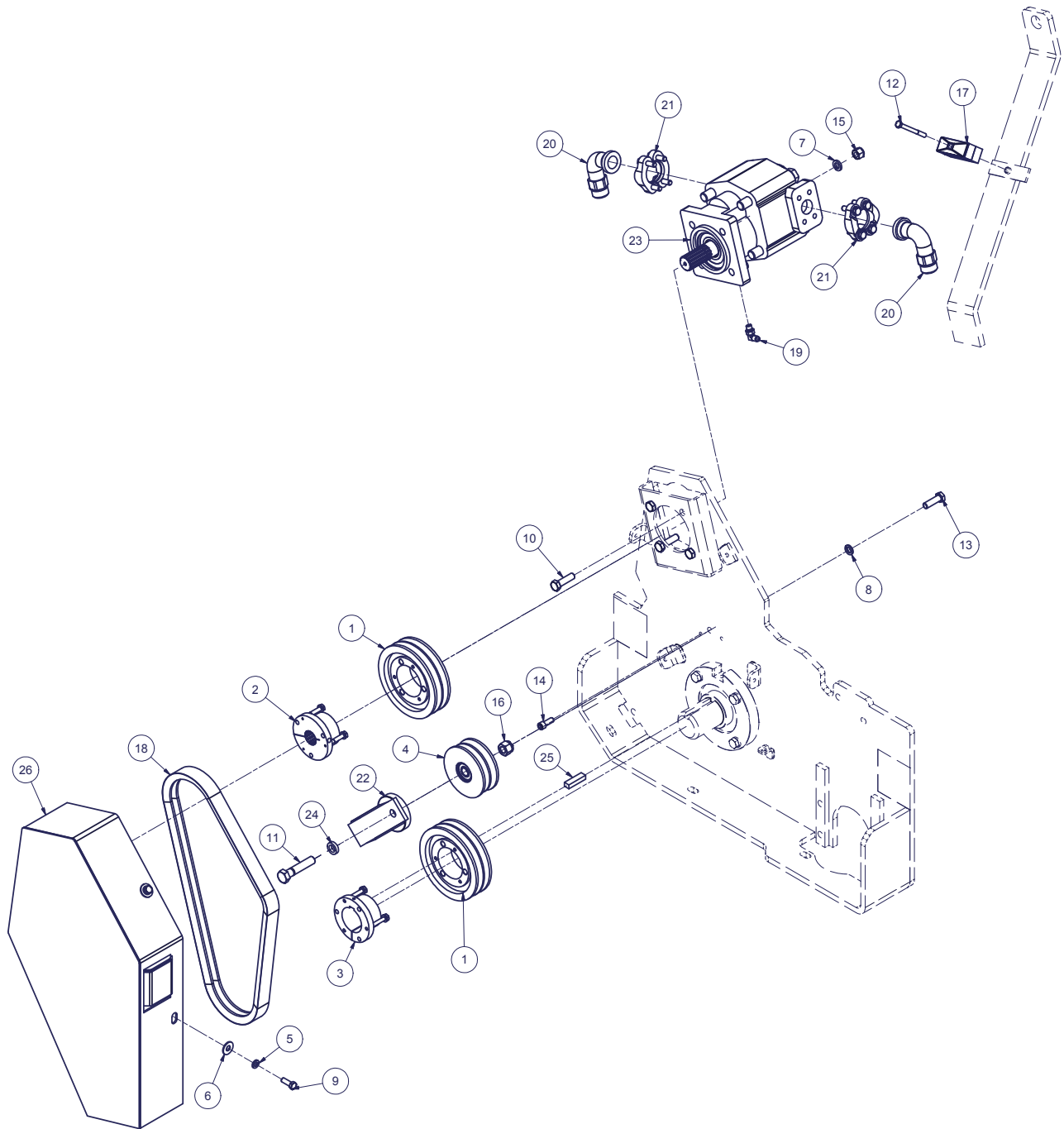
DECAL IDENTIFICATION - REAR FLAIL



072518

- ① SERIAL NUMBER LABEL - (not included in kit) - QTY 1
- ② PART #15-0001 - Sharp Objects Danger - QTY 1
- ③ PART #15-0002 - Flying Objects Danger - QTY 1
- ④ PART #15-0003 - Belt Cover Warning - QTY 1
- ⑤ PART #15-0005 - Grease Here - QTY 4
- ⑥ PART #15-0054 - Diamond Logo 15" - QTY 1
- ⑦ PART #15-0055 - Made In USA - QTY 1
- ⑧ PART #15-0058 - Read Manual - QTY 1
- ⑨ PART #15-1001 - Ruler - QTY 2
- ⑩ PART #15-1003 - Hand Grease Gun Only - QTY 1
- ⑪ PART #15-1016 - Warranty - QTY 1
- ⑫ PART #15-0067 - Patent Pending - QTY 1

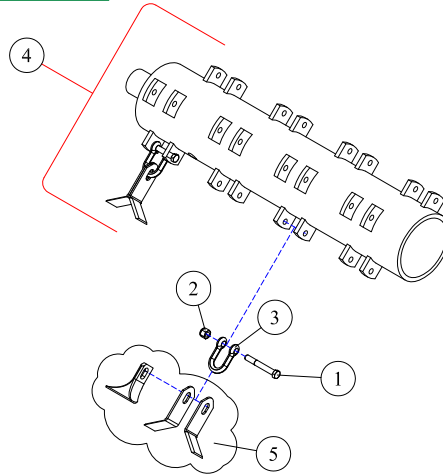
REAR HD FLAIL HEAD - 102" DRIVE ASSEMBLY



REF#	PARTS DESCRIPTION	REQ	PART#	TORQUE (ft-lbs)	TORQUE (Nm)
1	SHEAVE 6.3	2	10-1007		
2	BUSHING TAPERLOCK 1-1/4 14 SPLINED	1	10-1010		
3	BUSHING TAPERLOCK 2-3/16	1	10-1012		
4	SHEAVE, IDLER ASSY	1	10-1016		
5	3/8 LOCK WASHER GR 5	4	11-0005		
6	3/8 FLAT WASHER GR 5	4	11-0009		
7	1/2 LOCK WASHER GR 5	4	11-0011		
8	12MM LOCK WASHER GR 10.9	1	11-0031		
9	3/8 X 1 NC HEX CAP	4	11-0532	30.9	41.9
10	1/2 X 1-3/4 NC HEX CAP, GR 5	4	11-0535	75.4	102.2
11	5/8 X 3 NC HEX CAP	1	11-0558	150.1	203.5
12	5/16 X 3 NC HEX CAP	1	11-0578	17.4	23.6
13	12MM X 40MM X 1.75 HEX CAP	1	11-0672	64.9	88.0

REF#	PARTS DESCRIPTION	REQ	PART#	TORQUE (ft-lbs)	TORQUE (Nm)
14	3/8 X 1 H.S. NC SKT HEAD	1	11-0752	50.9	69.0
15	1/2 NC NYLOCK NUT	4	11-1018		
16	5/8 NC NYLOCK NUT	1	11-1025		
17	CLAMP DOUBLE TUBE 1" HOSES	1	11-2008		
18	DOUBLE 530 V BELT	1	12-0007		
19	1/4MJIC X 1/4MORB 90DEG, ADAPTER	1	21-1264		
20	#16 FLG X 1MJIC 90DEG ADAPTER	2	21-1274		
21	#16 FLANGE KIT	4	21-2145		
22	SE27 ROSTA TENSIONER 5/8" HOLE	1	24-0081		
23	MOTOR M350 1" GEAR	1	30-0511		
24	SPACER, IDLER ARM	1	34-0033		
25	CUTTERSHAFT KEY 1/2 X 3/8 X 1-3/4	1	37-0021		
26	COVER ASSEMBLY	1	41-0430		

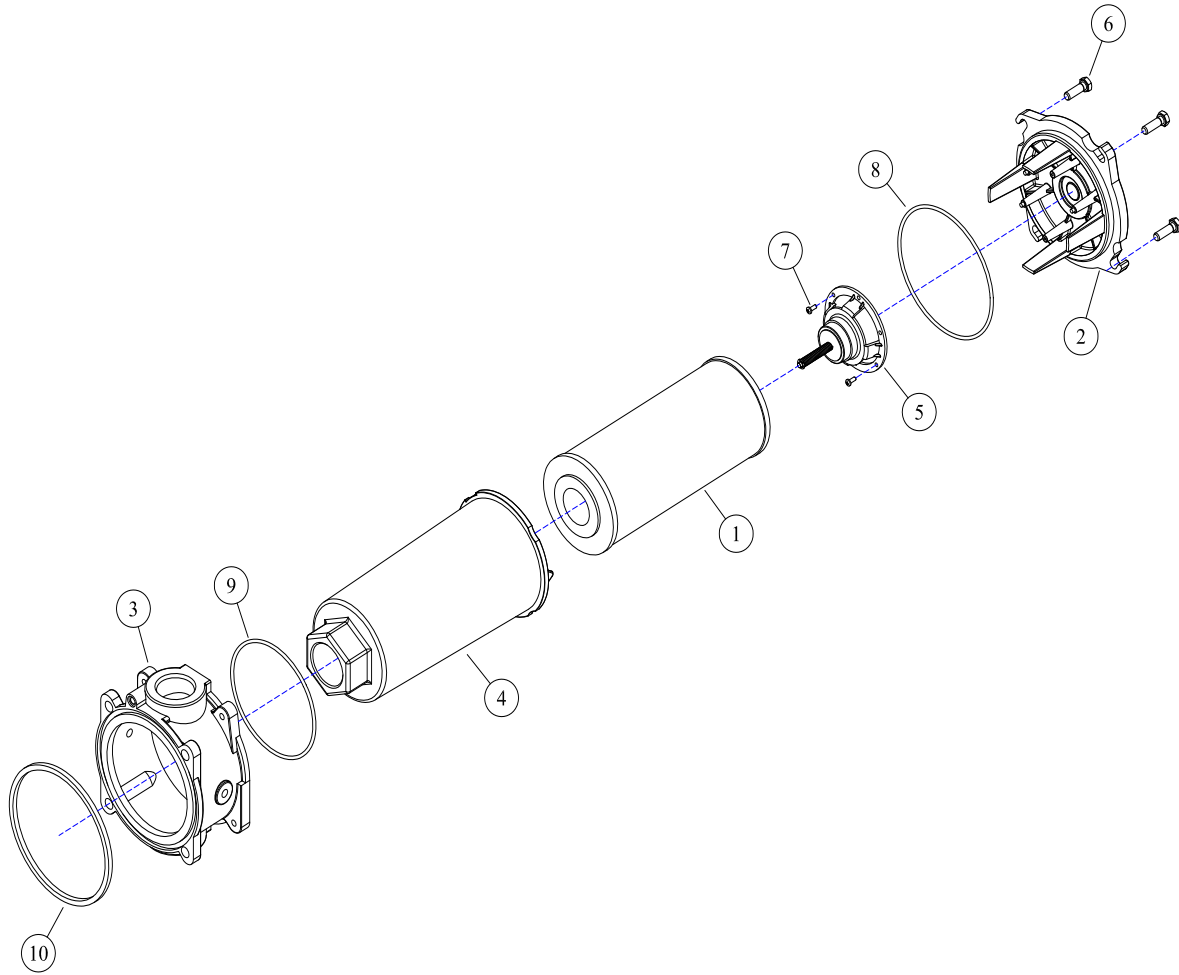
HD FLAIL HEAD - BLADE CONFIGURATIONS



REF#	PARTS DESCRIPTION	REQ	PART #
<u>90" FLAIL</u>			
1	KNIFE MOUNTING BOLT	48	11-0506
2	7/16 NYLOCK JAM NUT	48	11-1146
3	CLEVIS	48	11-1501
4	****CUTTER SHAFTS COMPLETE****		
	90" CUTTER SHAFT, 1/8" STD KNIVES	Opt.	46-1000
	90" CUTTER SHAFT, SMOOTH CUT KNIVES	Opt.	46-1013
	90" CUTTER SHAFT, 3/16" STD KNIVES	1	46-1011
5	****FLAIL KNIVES****		
	1/8" STD FLAIL KNIFE	Avail.	22-1003
	SMOOTH CUT FLAIL KNIFE	Avail.	22-1006
	3/16" HD FLAIL KNIFE	Avail.	22-1016
<u>102" FLAIL</u>			
1	KNIFE MOUNTING BOLT	56	11-0506
2	7/16 NYLOCK JAM NUT	56	11-1146
3	CLEVIS	56	11-1501
4	****CUTTER SHAFTS COMPLETE****		
	102" CUTTER SHAFT, 1/8" STD KNIVES	Opt.	46-1007
	102" CUTTER SHAFT, SMOOTH CUT KNIVES	Opt.	46-1014
	102" CUTTER SHAFT, 3/16" STD KNIVES	1	46-1016
5	****FLAIL KNIVES****		
	1/8" STD FLAIL KNIFE	Avail.	22-1003
	SMOOTH CUT FLAIL KNIFE	Avail.	22-1006
	3/16" HD FLAIL KNIFE	Avail.	22-1016
<u>60" FLAIL</u>			
1	KNIFE MOUNTING BOLT	32	11-0506
2	7/16 NYLOCK JAM NUT	32	11-1146
3	CLEVIS	32	11-1501
4	****CUTTER SHAFTS COMPLETE****		
	60" CUTTER SHAFT, 1/8" STD KNIVES	Opt.	46-1008
	60" CUTTER SHAFT, SMOOTH CUT KNIVES	Opt.	46-1012
	60" CUTTER SHAFT, 3/16" HD KNIVES	1	46-1022
5	****FLAIL KNIVES****		
	1/8" STD FLAIL KNIFE	Avail.	22-1003
	SMOOTH CUT FLAIL KNIFE	Avail.	22-1006
	3/6" HD FLAIL KNIFE	Avail.	22-1016
<u>75" FLAIL</u>			
1	KNIFE MOUNTING BOLT	40	11-0506
2	7/16 NYLOCK JAM NUT	40	11-1146
3	CLEVIS	40	11-1501
4	****CUTTER SHAFTS COMPLETE****		
	75" CUTTER SHAFT, 1/8" STD KNIVES	Opt.	46-1005
	75" CUTTER SHAFT, SMOOTH CUT KNIVES	Opt.	46-1018
	75" CUTTER SHAFT, 3/16" HD KNIVES	1	46-1010
5	****FLAIL KNIVES****		
	1/8" STD FLAIL KNIFE	Avail.	22-1003
	SMOOTH CUT FLAIL KNIFE	Avail.	22-1006
	3/6" HD FLAIL KNIFE	Avail.	22-1016

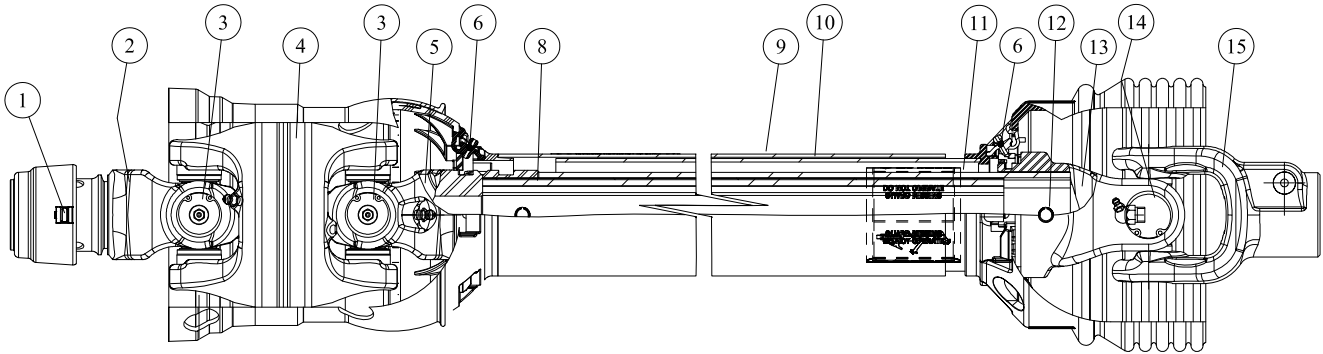
DECK ASSEMBLIES

17-0014 - FILTER ASSEMBLY



REF#	PARTS DESCRIPTION	REQ	PART #
1	FILTER ELEMENT	1	17-0001
2	COVER	1	17-0016
3	PORT CASTING	1	17-0017
4	ELEMENT HOUSING	1	17-0018
5	BY-PASS ASSEMBLY	1	17-0019
6	SCREW (COVER)	4	17-0020
7	SCREW (BY-PASS ASSEMBLY)	2	17-0021
8	O-RING, COVER/PORT CASTING	1	33-0005
9	O-RING, ELEMENT/PORT CASTING	1	33-0053
10	TETRA SEAL	1	33-0018

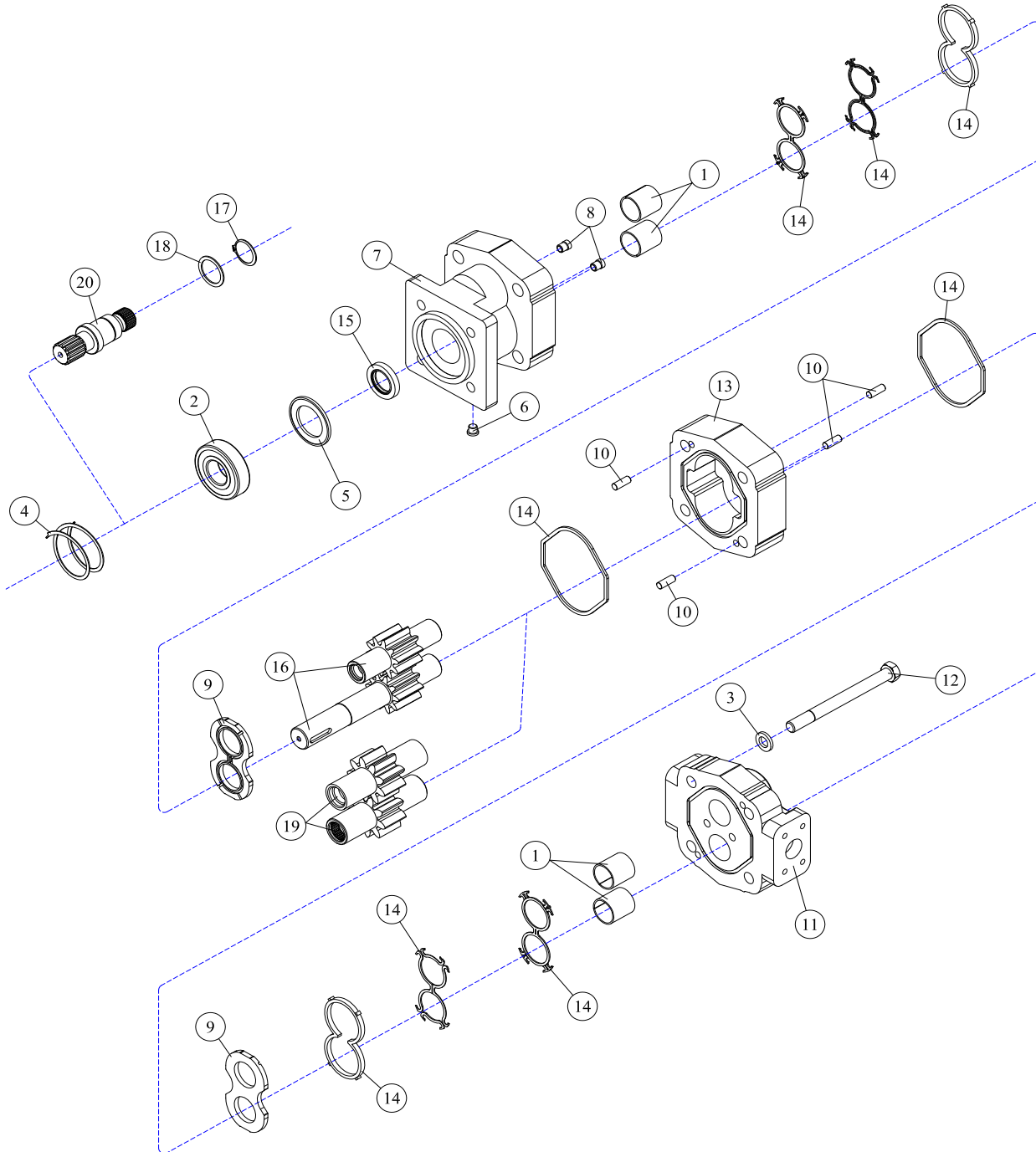
29-0182 - DRIVE LINE ASSEMBLY



REF#	PARTS DESCRIPTION	REQ	PART #
1	REPAIR KIT, SSL/AUTO-LOK	1	29-0185
2	YOKE, FRONT	1	29-0186
3	CROSS KIT, AB 6/AW 22/480 PBL	2	29-0187
4	CENTER HOUSING	1	29-0188
5	YOKE AND TUBE, FRONT	1	29-0189
6	BEARING SET	2	29-0190
7	YOKE, CAT 4 80DEGREES, (NOT SHOWN)	1	29-0191
8	621-3905-100.ASM	1	29-0192

REF#	PARTS DESCRIPTION	REQ	PART #
9	OUTER GUARD	1	29-0194
10	INNER GUARD	1	29-0195
11	TUBE	1	29-0197
12	ROLL PIN	1	29-0198
13	YOKE AND TUBE, REAR	1	29-0199
14	CROSS KIT, A W35P, REPAIR	1	29-0200
15	YOKE, REAR	1	29-0201

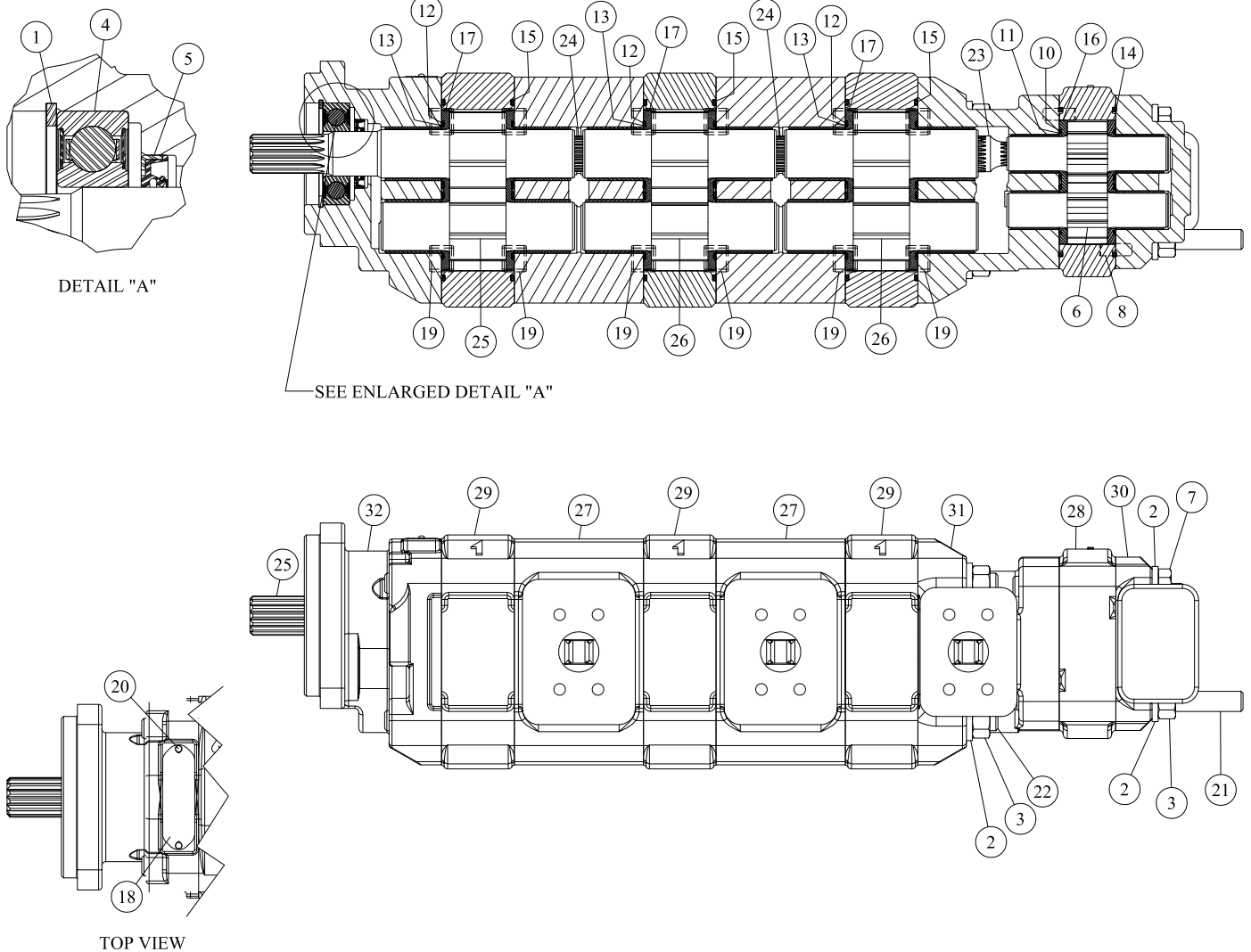
30-0511 - MOTOR ASSEMBLY



REF#	PARTS DESCRIPTION	REQ	PART #
1	BUSHING	4	30-1002
2	BALL BEARING	1	30-1044
3	WASHER	4	30-1071
4	SPIROLOCK	1	30-1094
5	RETAINING RING	1	30-1095
6	PLUG	1	30-1096
7	SHAFT END COVER	1	30-1097
8	CHECK ASSEMBLY	2	30-1098
9	THRUST PLATE	2	30-1100
10	DOWEL PIN	4	30-1102
11	PORT END COVER W/ BUSHINGS	1	30-1133
12	STUD	4	30-1134
13	GEAR HOUSING 1-3/4"	1	30-1208
14	SEAL KIT		
	SEAL KIT (integral shaft only) comes w/ 30-1162	1	30-1207

REF#	PARTS DESCRIPTION	REQ	PART #
	SEAL KIT (continental shaft only)	1	30-1211
15	SHAFT SEAL		
	CONTINENTAL SHAFT ONLY:		
	300 PSI (included in M350 seal kit)	1	30-1209
	INTEGRAL SHAFT ONLY:		
	500 PSI	1	30-1036
*	SHAFT TOOL (not shown) (required for install)	1	30-1162
	GEAR SET OPTION A:		
16	INTEGRAL SHAFT AND GEAR 1-3/4"	1	30-1024
	GEAR SET OPTION B:		
17	RETAINING RING	1	30-1019
18	WASHER	1	30-1020
19	2-1/4" GEAR SET	1	30-1025
20	CONTINENTAL SHAFT, SPLINED	1	30-1144

30-0539 - PUMP ASSEMBLY

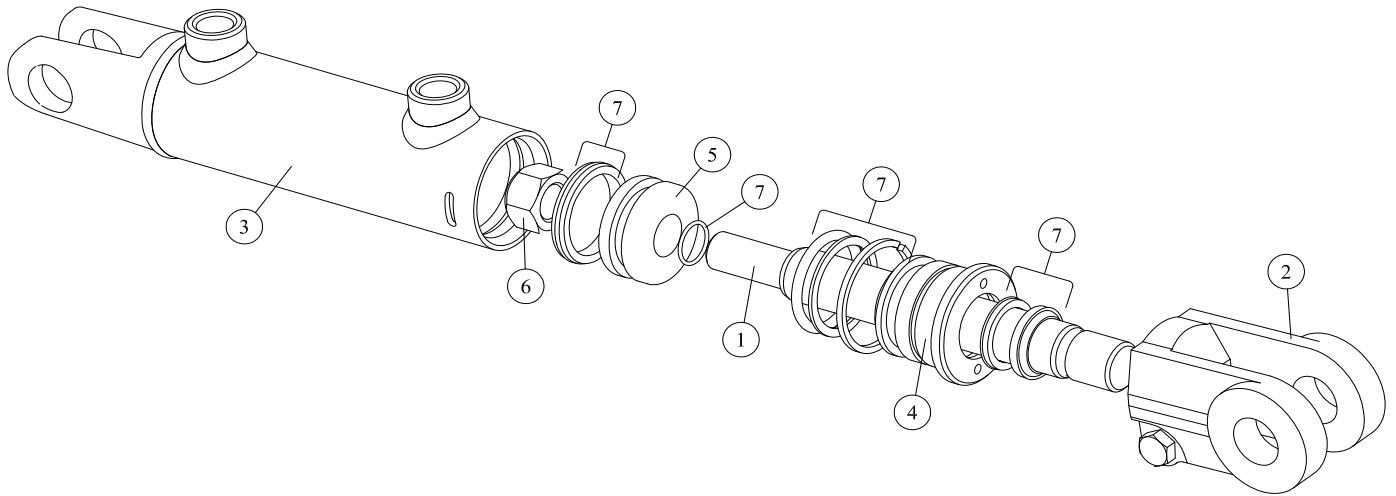


- *Complete seal kit can be purchased using item #9.
- **Item #5 lip seal (also sold separately) included with complete seal kit.
- ***Items #10-15 (not sold separately) included with complete seal kit.

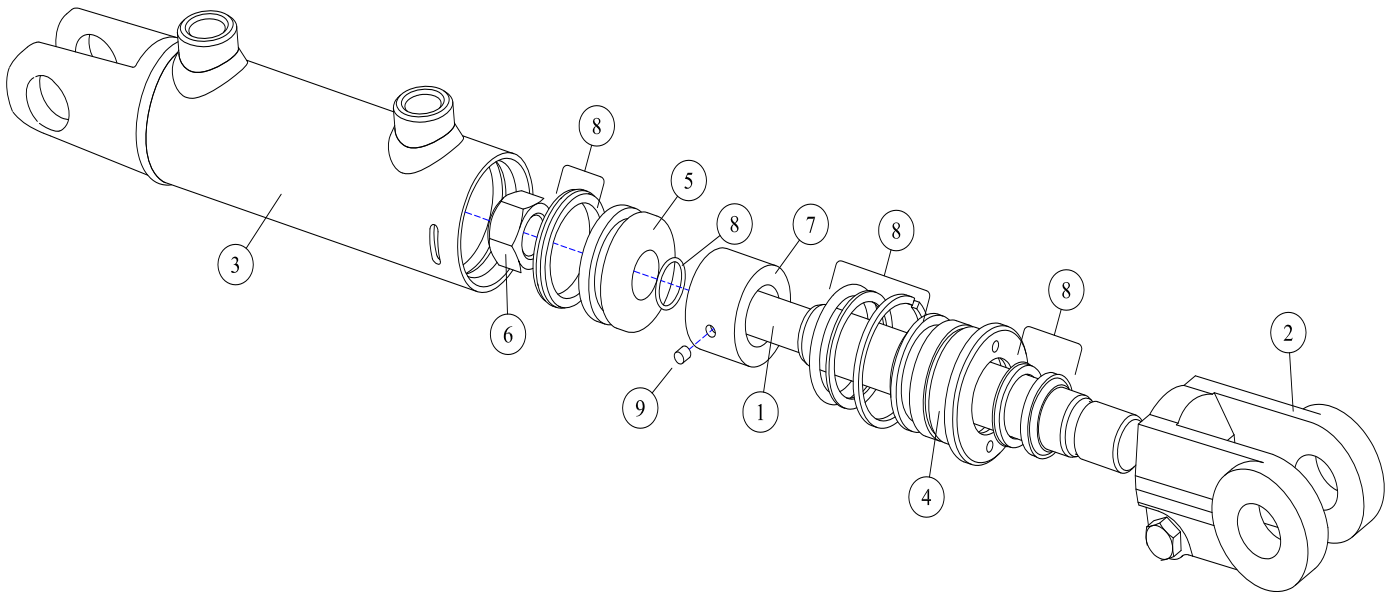
REF#	PARTS DESCRIPTION	REQ	PART #
1	SNAP RING	1	30-1009
2	WASHER	8	30-1071
3	HEX NUT	6	30-1128
4	BALL BEARING	1	30-1173
5	**LIP SEAL	1	30-1181
6	GEAR SET, REAR	1	30-1191
7	CAPSCREW	2	30-1193
8	DOWEL PIN, REAR	4	30-1273
9	*SEAL KIT	1	30-1339
10	***CHANNEL SEAL, REAR	2	30-1340
11	***SEAL, BK-UP, REAR	2	30-1341
12	***CHANNEL SEAL	6	30-1342
13	***SEAL, BK-UP	6	30-1343
14	***SEAL, SQ-R, REAR	2	30-1344
15	***SEAL, SQ-R	6	30-1345
16	THRUST PLATE, REAR	2	30-1347

REF#	PARTS DESCRIPTION	REQ	PART #
17	THRUST PLATE	6	30-1348
18	NAME PLATE	1	30-1349
19	DOWEL PIN	24	30-1350
20	DRIVE SCREW	2	30-1351
21	STUD, REAR	2	30-1352
22	STUD	4	30-1353
23	CONNECTOR SHAFT, REAR	1	30-1354
24	CONNECTOR SHAFT	2	30-1355
25	GEAR SHAFT SET	1	30-1356
26	GEAR SET	2	30-1357
27	BEARING CARRIER HOUSING	2	30-1358
28	GEAR HOUSING, REAR	1	30-1359
29	GEAR HOUSING	3	30-1360
30	PEC HOUSING	1	30-1361
31	PIGGYBACK HOUSING	1	30-1362
32	SEC HOUSING	1	30-1363

LIFT ASSEMBLIES

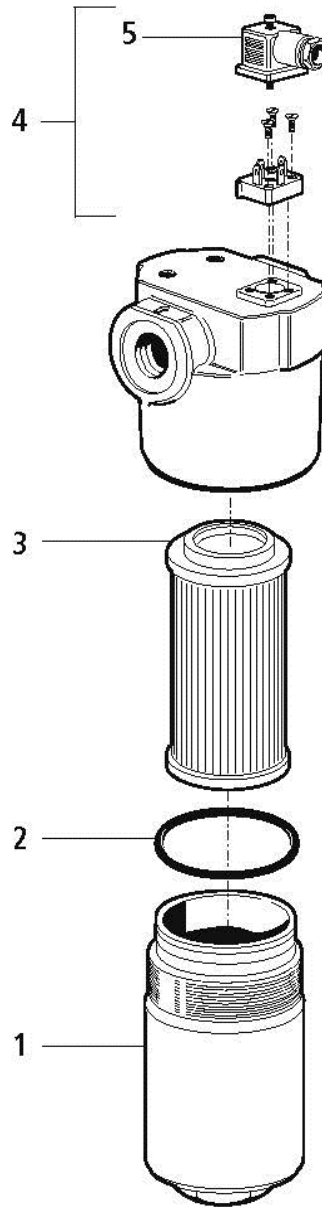
14-0001 - 3X10 WELDED CYLINDER

REF#	PARTS DESCRIPTION	REQ	PART #
1	PISTON ROD	1	14-1130
2	CLEVIS ASSEMBLY	1	14-1160
3	BUTT & TUBE ASSEMBLY	1	14-1140
4	GLAND	1	14-1155
5	PISTON	1	14-1150
6	LOCKNUT	1	14-1120
7	SEAL KIT	1	33-0038

14-0004 - 3X12 WELDED CYLINDER, SLUGGED

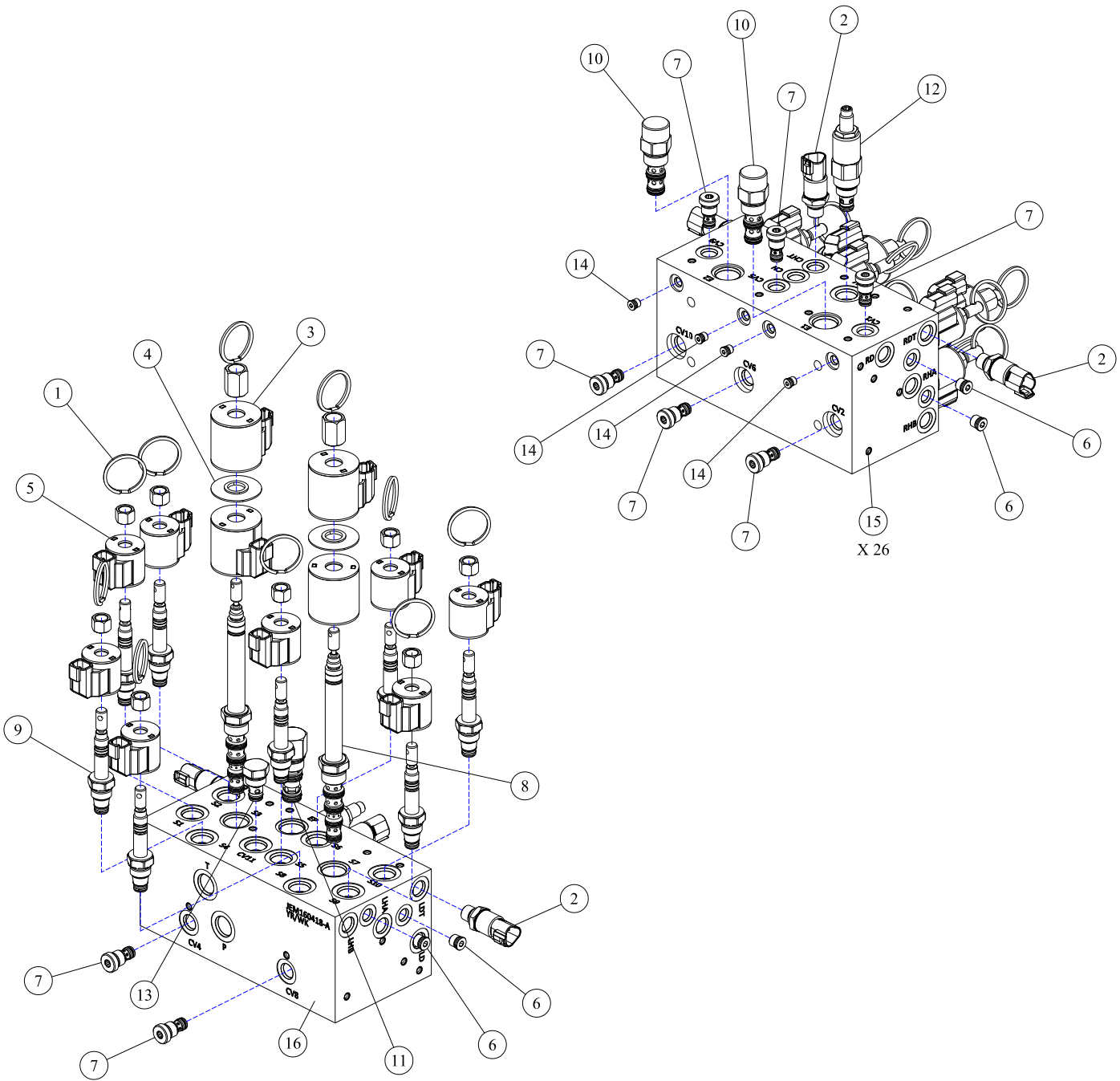
REF#	PARTS DESCRIPTION	REQ	PART #
1	PISTON ROD	1	14-1131
2	CLEVIS ASSEMBLY	1	14-1160
3	BUTT & TUBE ASSEMBLY	1	14-1141
4	GLAND	1	14-1155
5	PISTON	1	14-1150
6	LOCKNUT	1	14-1120
7	SLUG	1	14-1191
8	SEAL KIT	1	33-0038
9	SET SCREW	1	11-2007

17-0037 - FILTER ASSEMBLY



REF#	PARTS DESCRIPTION	REQ	PART #
1	FILTER BOWL HD 049	1	17-0038
2	LARGE O-RING	1	33-0086
3	HIGH PRESSURE FILTER ELEMENT, 10 MICRON	1	17-0036
4	REED SWITCH WITH SCREWS AND SOCKET	1	16-0239
5	SOCKET	1	16-0240

LIFT VALVE - ELECTRICAL NON-PROPORTIONAL, 39-0107

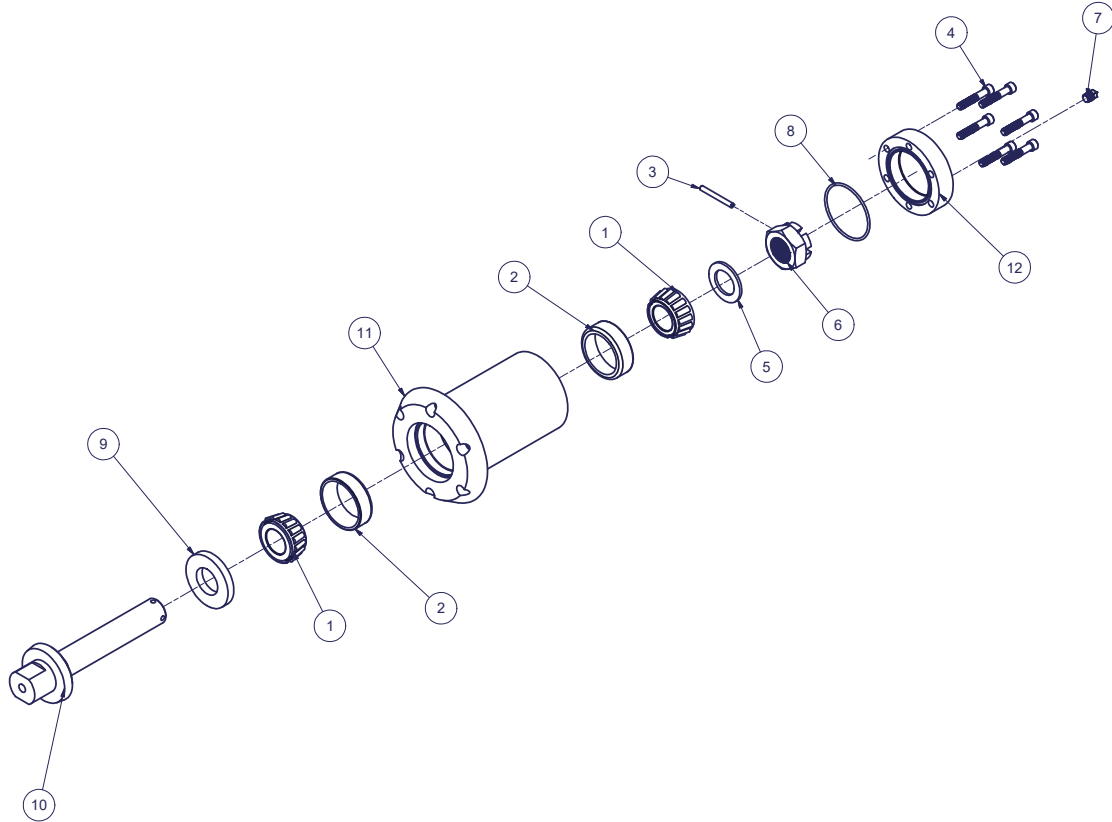


REF#	PARTS DESCRIPTION	REQ	PART #
1	KEY RING, SIZE 8, STEEL	10	11-2083
2	PRESSURE SENSOR	3	16-0209
3	12 VDC, -10 SIZE E-COIL, DEUTSCH	4	16-0214
4	-10 SIZE E-COIL SPACER	2	16-0215
5	12 VDC, -08 SIZE E-COIL, DEUTSCH	8	16-0216
6	ZERO-LEAK PLUG, SAE-04	4	39-1083
7	CHECK, POPPET TYPE, N.C.	8	39-1090
8	PROPORTIONAL VALVE	2	39-1114

REF#	PARTS DESCRIPTION	REQ	PART #
9	2/2 PROP SOLENOID VALVE WITH M/O	8	39-1115
10	FLOW REG., PRESS. COMP	2	39-1116
11	PRESSURE COMPENSATOR	1	39-1117
12	RELIEF VALVE, 2800 PSI	1	39-1118
13	CHECK VALVE, 4 PSI	1	39-1119
14	ZERO-LEAK PLUG, SAE-02	4	39-1120
15	EXPANDER PLUG, 7 MM	26	39-1121
16	JEM MANIFOLD BLOCK	1	39-1122

MISCELLANEOUS ASSEMBLIES

BEARING - GROUND ROLLER, 10-1067



REF#	PARTS DESCRIPTION	REQ	PART#	TORQUE (ft-lbs)	TORQUE (Nm)
1	TAPER BEARING	2	10-1049		
2	TAPER BEARING RACE	2	10-1050		
3	ROLL PIN	1	11-2006		
4	5/16 X 1-3/4 NC SHCS	6	11-2065	28.7	38.9
5	THRUST WASHER 2.00 OD X 1.26 ID	1	11-2067		
6	CASTLE NUT	1	11-2074		
7	1/8 NPT PLUG	1	21-1136		
8	O RING 2-7/8 OD	1	24-0273		
9	SEAL TCM 132713TC	1	33-0031		
10	ASSY GROUND ROLLER SHAFT	1	41-1776		
11	GROUND ROLLER INSERT	1	90-7045		
12	GROUND ROLLER END CAP	1	90-7048		

10-1067 oil bath replacement bearing assy | Rev 000

(PAGE INTENTIONALLY BLANK)



**100% SATISFACTION
GUARANTEE**
★ GET IT, LOVE IT, *or* LEAVE IT! ★

**72-HOUR PARTS
SHIPPING GUARANTEE**