



PARTS BOOK

60" BOOM ROTARY HEADS

• *SPRING TRAP, ROTATOR* • *SERIAL #XXXXX+* •

DIAMOND MOWERS, LLC
350 E 60th St. North
Sioux Falls, SD 57104

FOR WARRANTY CALL DIAMOND MOWERS DIRECT:
888-960-0364
OUR TECHNICIANS WILL DIAGNOSE YOUR SITUATION
OVER THE PHONE TO GET YOU UP AND RUNNING QUICKLY.

Phone: 605-977-3300
Fax: 605-655-5870
www.diamondmowers.com

DEMAND BRILLIANCE.

© DIAMOND MOWERS, LLC



Foreword

This manual contains the parts breakdown and identification of the various components and structures that make up your mower implement.

The illustrations, drawings, and diagrams in this manual are based on the latest information available at the time of publication. Your machine may have product improvements and features not yet contained in this parts manual.

Diamond Mowers, LLC reserves the right to make changes at any time without notice or obligation.

Diamond Mowers, LLC™ and Wetblade™ are trademarks of Diamond Mowers, LLC.

This manual should be consulted prior and while assembling the unit, and anytime parts or assembly clarification is needed.

Copyright© 2016 Diamond Mowers, LLC

All rights reserved. While every precaution has been taken in the preparation of this manual, the publisher assumes no responsibility for errors or omissions. No part of this book covered by the copyrights hereon may be reproduced or copied in any form or by any means - graphic, electronic, or mechanical, including photocopying, taping, or information storage and retrieval systems - without written permission of the publisher.



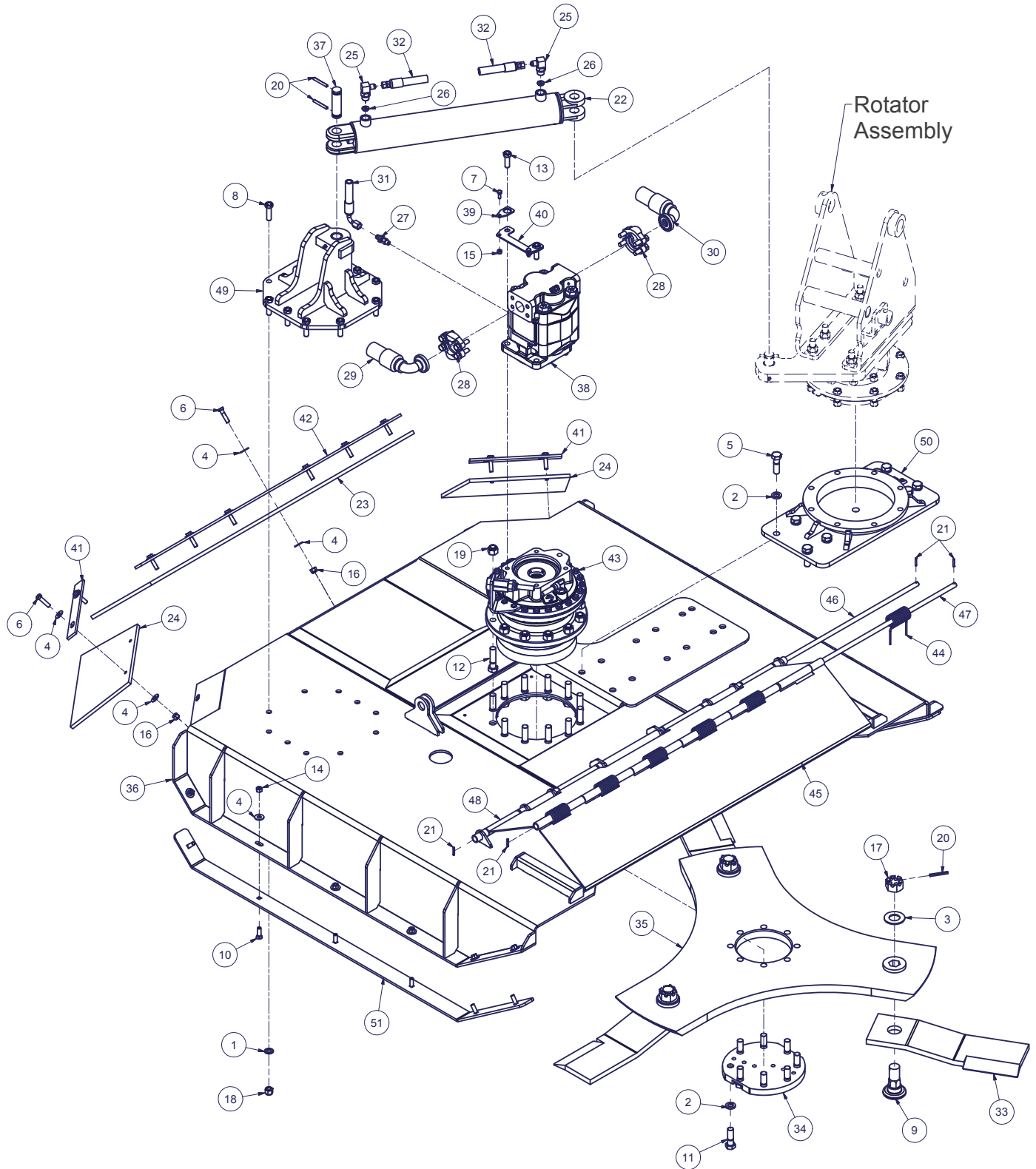
Table of Contents

ROTARY HEADS	4
ROTARY HEADS - 60" D3, SPRING TRAPDOOR, DECK ROTATOR	5
ROTARY HEADS - DECAL IDENTIFICATION	7
ROTARY HEADS - 60" BLADE CONFIGURATIONS	8
ROTARY HEADS - DECK ROTATOR (OPTIONAL)	10
DRIVE ASSEMBLIES	11
DRIVE ASSEMBLIES - 60" BOOM ROTARY (WHEEL LOADER POWERED BOOM ONLY)	12
DECK ASSEMBLIES	13
30-0503 - MOTOR ASSEMBLY	14
30-0524 - MOTOR ASSEMBLY	15
35-0093 - DIRECT DRIVE SPINDLE	16
PRESSURE RELIEF VALVE - 35-0093 DIRECT DRIVE SPINDLE	17
LIFT ASSEMBLIES	18
14-0002 - 3X18 WELDED CYLINDER	19

ROTARY HEADS



ROTARY HEADS - 60" D3, SPRING TRAPDOOR, DECK ROTATOR

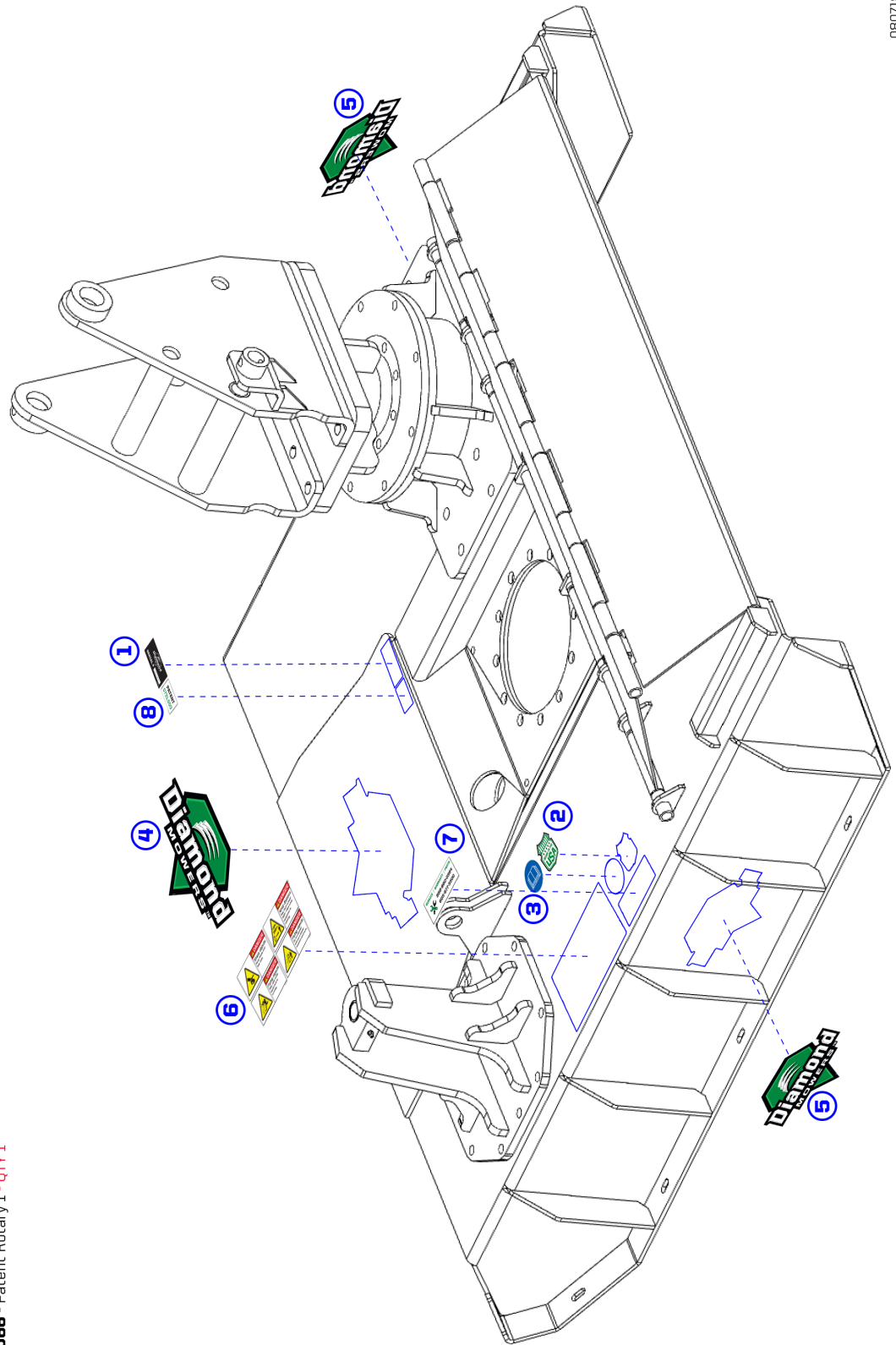


ROTARY HEADS - 60" D3, SPRING TRAPDOOR, DECK ROTATOR

REF#	PARTS DESCRIPTION	REQ	PART#	TORQUE (ft-lbs)	TORQUE (Nm)
1	1/2 SAE FLAT WASHER GR 8	10	11-0042		
2	5/8 LOCK WASHER GR 8	16	11-0043		
3	1-1/8 SAE FLAT WASHER GR 8	3	11-0057		
4	3/8 FLAT WASHER GR 8	34	11-0092		
5	5/8 X 2 NF HEX CAP GR 8	8	11-0508	211.9	287.3
6	3/8 X 1-1/2 NC HEX CAP	11	11-0529	30.9	41.9
7	1/4 X 3/4 NC HEX CAP	4	11-0588	8.5	11.5
8	1/2 X 1-3/4 H.S. NC HEX CAP	10	11-0747	106.4	144.3
9	D3 BLADE BOLT	3	11-0759	1444.0	1957.8
10	3/8 X 1-1/4 NC PLOW BOLT	12	11-0804	30.9	41.9
11	5/8 X 2 NC HEX CAP, GR 8	8	11-0970	211.9	287.3
12	5/8 X 2-1/2 NC HEX CAP, GR 8	12	11-0971	211.9	287.3
13	1/2 X 1-1/2 NC HEX CAP, GR 8	4	11-0972	106.4	144.3
14	3/8 NC HEX NUT	12	11-1001		
15	1/4 NC NYLOCK NUT	4	11-1022		
16	3/8 NC NYLOCK NUT	11	11-1024		
17	1-1/8-12 NF SLOTTED HEX NUT GR 8	3	11-1050		
18	1/2-13 NC NYLOCK NUT GR 8	10	11-1072		
19	5/8 NC NYLOCK NUT, GR. 8	12	11-1073		
20	ROLL PIN, 1/4" X 2"	5	11-2005		
21	ROLL PIN, 5/32" X 1"	4	11-2054		
22	2-1/2 X 18 WELDED CYLINDER	1	14-0047		
23	60" D3 BOOM DECK CENTER FLAP	1	18-0069		
24	60" D3 BOOM DECK SIDE FLAP	2	18-0070		
25	3/8MJIC X 1/2MORB-90DEG	2	21-1403		
26	DISC RESTRICTOR	2	21-1551		
27	ADAPTER, 1/4MOR X 3/8MJIC	1	21-1597		
28	#20 FLANGE KIT	2	21-2105		
29	HOSE 1 X 64.5 (#20FLG-90 X 1FJIC)	1	21-2516		
30	HOSE 1 X 57 (#20FLG-90 X 1FJ)	1	21-2517		
31	HOSE 3/8 X 62 (3/8FJIC-90DEG X 1/2MJIC)	1	21-4304		
32	HOSE 3/8 X 77 (3/8FJIC X 1/2MJIC)	2	21-4548		
33	BRUSH BLADE - 5/8	3	22-0006		
34	BOLT PROTECTOR, 60 FBS, AUBURN	1	24-0224		
35	60 INCH TRI-HEX DISH D3	1	24-0298		
36	60 INCH D3 BOOM ROTARY	1	25-0331		
37	CLEVIS PIN, 1 X 3-1/2	1	27-0004		
38	MOTOR, M365 2-1/4" GEAR, 1-1/4" 14-SPLINE SHAFT	1	30-0524		
39	MOTOR TOP LOCK PLATE	4	31-0503		
40	V3LOCK BOTTOM	2	31-0504		
41	SIDE FLAP PLATE D3 60 INCH ROTARY	2	31-0660		
42	FLAP PLATE D3 60 INCH ROTARY	1	31-0661		
43	D3 SPINDLE, DIRECT DRIVE	1	35-0093		
44	SPRING, TRAP DOORS	6	36-0003		
45	SHIELD, DRB50 FRONT	1	41-0007		
46	REAR TRAP DOOR ROD	1	41-0009		
47	FRONT TRAP DOOR ROD	1	41-0010		
48	REAR TRAP DOOR	1	41-1615		
49	60 INCH PIVOT DECK CYLINDER ANCHOR	1	41-1684		
50	BOLT ON DECK PIVOT	1	41-1704		
51	SKID SHOE 60 INCH D3 ROTARY	2	42-0060		

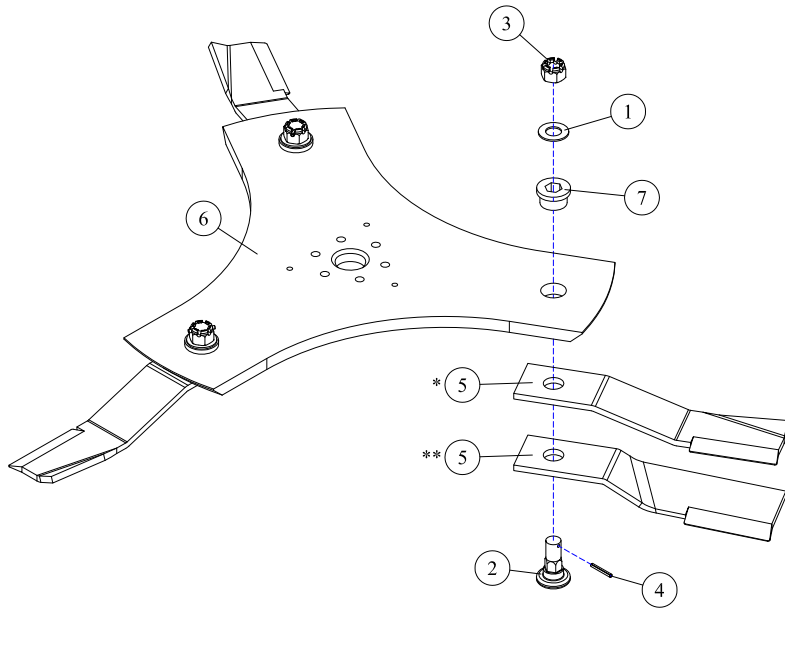
ROTARY HEADS - DECAL IDENTIFICATION

- ① SERIAL NUMBER LABEL - (not included in kit) - QTY 1
- ② PART #15-0055 - Made In USA - QTY 1
- ③ PART #15-0058 - Read Manual - QTY 1
- ④ PART #15-0053 - Diamond Mowers Logo 13" - QTY 1
- ⑤ PART #15-0050 - Diamond Mowers Logo 7" - QTY 2
- ⑥ PART #15-0057 - Decal Group Horizontal - QTY 1
- ⑦ PART #15-1016 - Warranty - QTY 1
- ⑧ PART #15-0066 - Patent Rotary 1 - QTY 1



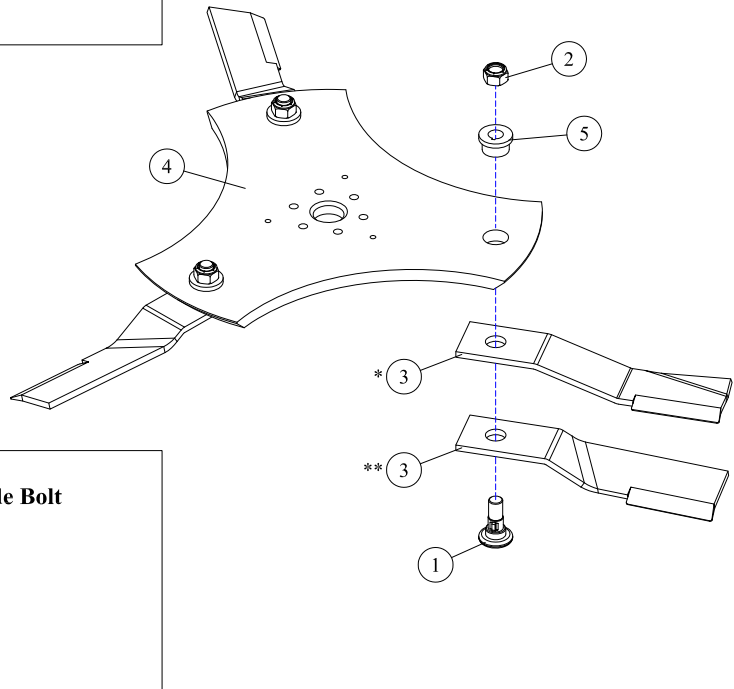
ROTARY HEADS - 60" BLADE CONFIGURATIONS

(24-0086) Tri-Hex Blade Dish with Hex Blade Bolt



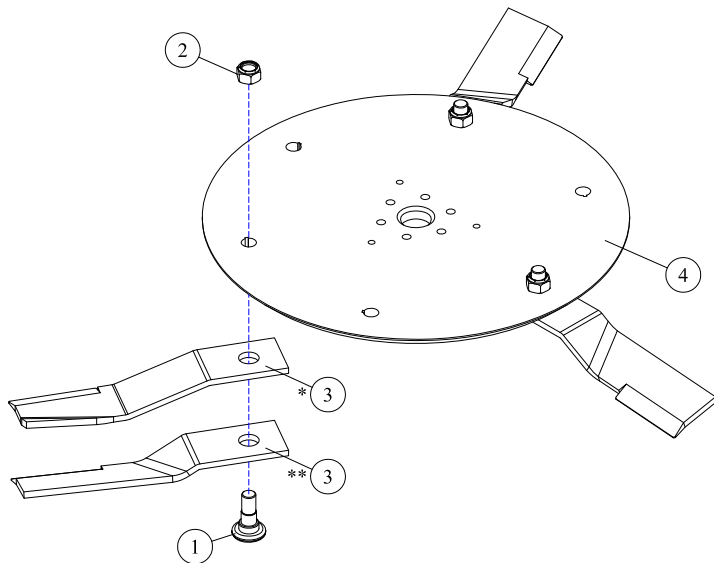
REF#	PARTS DESCRIPTION	REQ	PART #
1	1-1/8 H.S FLAT WASHER	3	11-0057
2	BLADE MOUNTING BOLT	3	11-0759
3	BLADE MOUNTING NUT	3	11-1050
4	ROLLPIN	3	11-2005
5	KNIFE		
*	1/2" GRASS BLADE	3	22-0002
**	1/2" GRASS BLADE (HIGH SUCTION)	3	22-0004
6	60" TRI-HEX DISH	1	24-0086
7	REPLACEABLE HEX INSERT	Avail	90-7010

(24-0076) Tri-Blade Dish with 1/8" Keyed Blade Bolt



REF#	PARTS DESCRIPTION	REQ	PART #
1	BLADE MOUNTING BOLT	3	11-0503
2	BLADE MOUNTING NUT	3	11-1008
3	KNIFE		
*	1/2" GRASS BLADE	3	22-0002
**	1/2" GRASS BLADE (HIGH SUCTION)	3	22-0004
4	BLADE DISH	1	24-0076
5	REPLACEABLE INSERT	Avail	90-7007

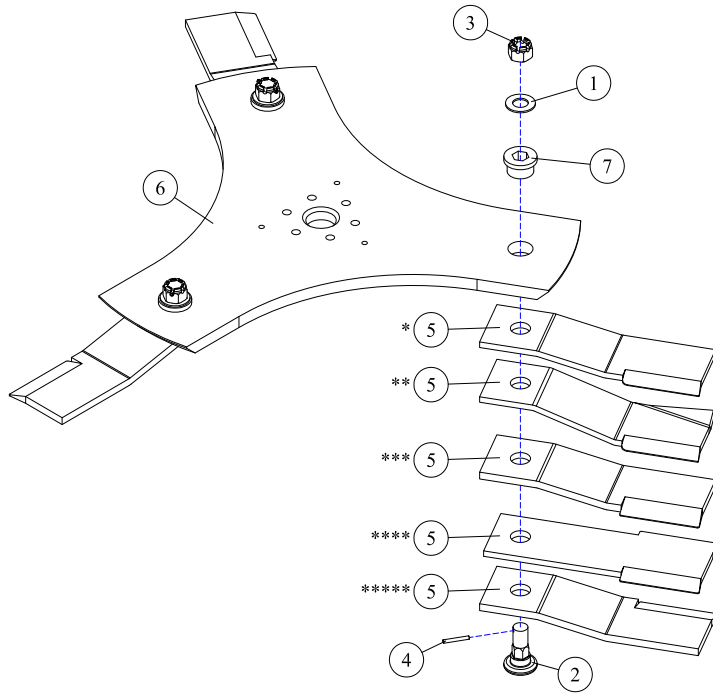
(24-0001) Round Blade Dish with 1/8" Keyed Blade Bolt



REF#	PARTS DESCRIPTION	REQ	PART #
1	BLADE MOUNTING BOLT	3	11-0503
2	BLADE MOUNTING NUT	3	11-1008
3	KNIFE		
*	1/2" GRASS BLADE	3	22-0002
**	1/2" GRASS BLADE (HIGH SUCTION)	3	22-0004
4	BLADE DISH	1	24-0001

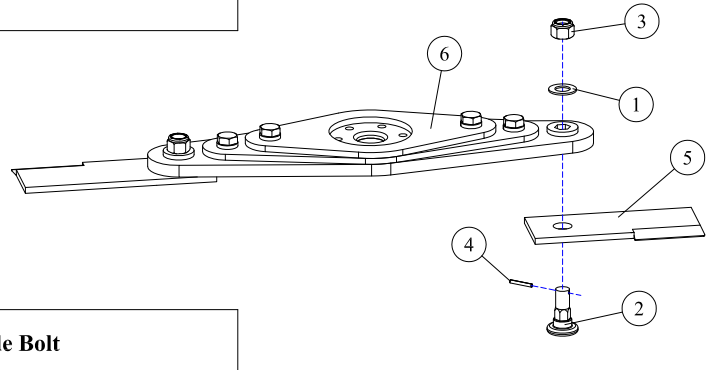
ROTARY HEADS - 60" BLADE CONFIGURATIONS

(24-0145) Tri-Hex Blade Dish with Hex Blade Bolt



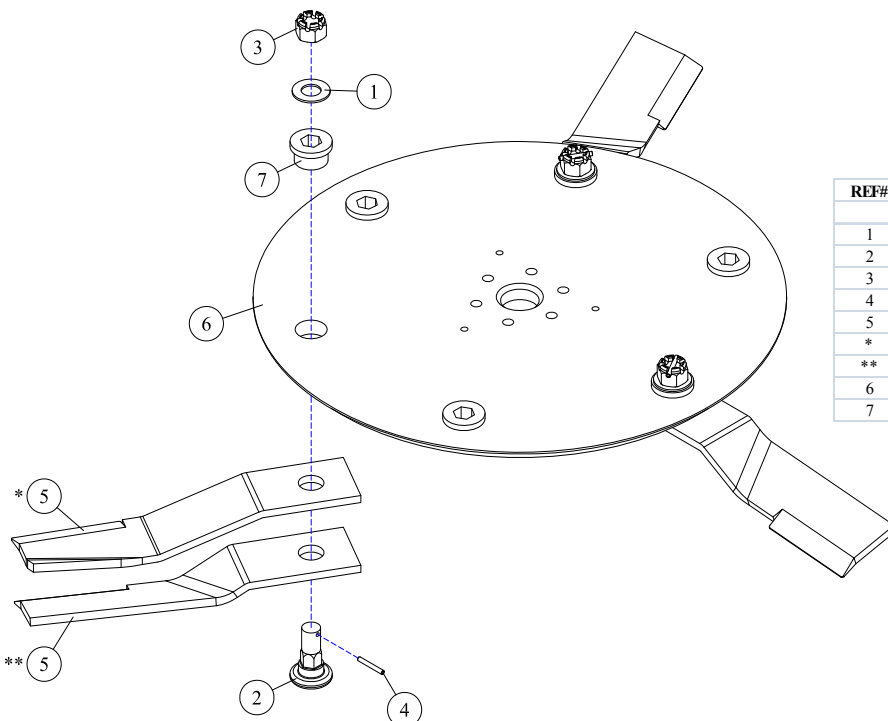
REF#	PARTS DESCRIPTION	REQ	PART #
1	1-1/8 H.S FLAT WASHER	3	11-0057
2	BLADE MOUNTING BOLT	3	11-0759
3	BLADE MOUNTING NUT	3	11-1050
4	ROLLPIN	3	11-2005
5	KNIFE		
*	50" BRUSH KNIFE - 1/2"	3	22-0003
**	50" GRASS KNIFE, HIGH SUCTION - 1/2"	3	22-0005
***	50" BRUSH BLADE - 5/8"	3	22-0006
****	50" BI-DIRECTIONAL BLADE - 1/2"	3	22-0012
*****	50" BRUSH KNIFE - REVERSE ROTATION - 5/8"	3	22-0017
6	60" BOOM DECK DISH	1	24-0145
7	REPLACEABLE HEX INSERT	Avail	90-7010

(24-0102) 3-Tier Blade Bar Reversible



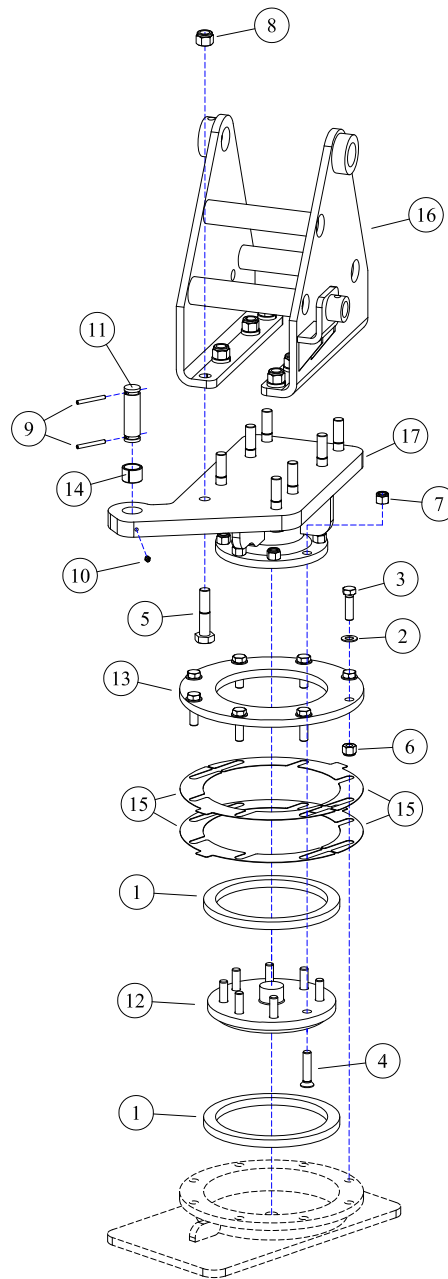
REF#	PARTS DESCRIPTION	REQ	PART #
1	1-1/8 SAE H.S. FLAT WASHER	2	11-0057
2	KNIFE MOUNTING BOLT	2	11-0759
3	KNIFE MOUNTING NUT	2	11-1050
4	1/4 X 2 ROLL PIN	2	11-2005
5	50" BI-DIRECTIONAL BLADE	2	22-0012
6	BLADE BAR	1	24-0102

(24-0217) 60" 2-3 Blade Round Dish with Hex Blade Bolt



REF#	PARTS DESCRIPTION	REQ	PART #
1	1-1/8 H.S FLAT WASHER	3	11-0057
2	BLADE MOUNTING BOLT	3	11-0759
3	BLADE MOUNTING NUT	3	11-1050
4	ROLLPIN	3	11-2005
5	KNIFE		
*	1/2" GRASS BLADE	3	22-0002
**	1/2" GRASS BLADE (HIGH SUCTION)	3	22-0004
6	60" ROUND DISH, 2-3 BLADE	1	24-0217
7	REPLACEABLE HEX INSERT	Avail	90-7010

ROTARY HEADS - DECK ROTATOR (OPTIONAL)



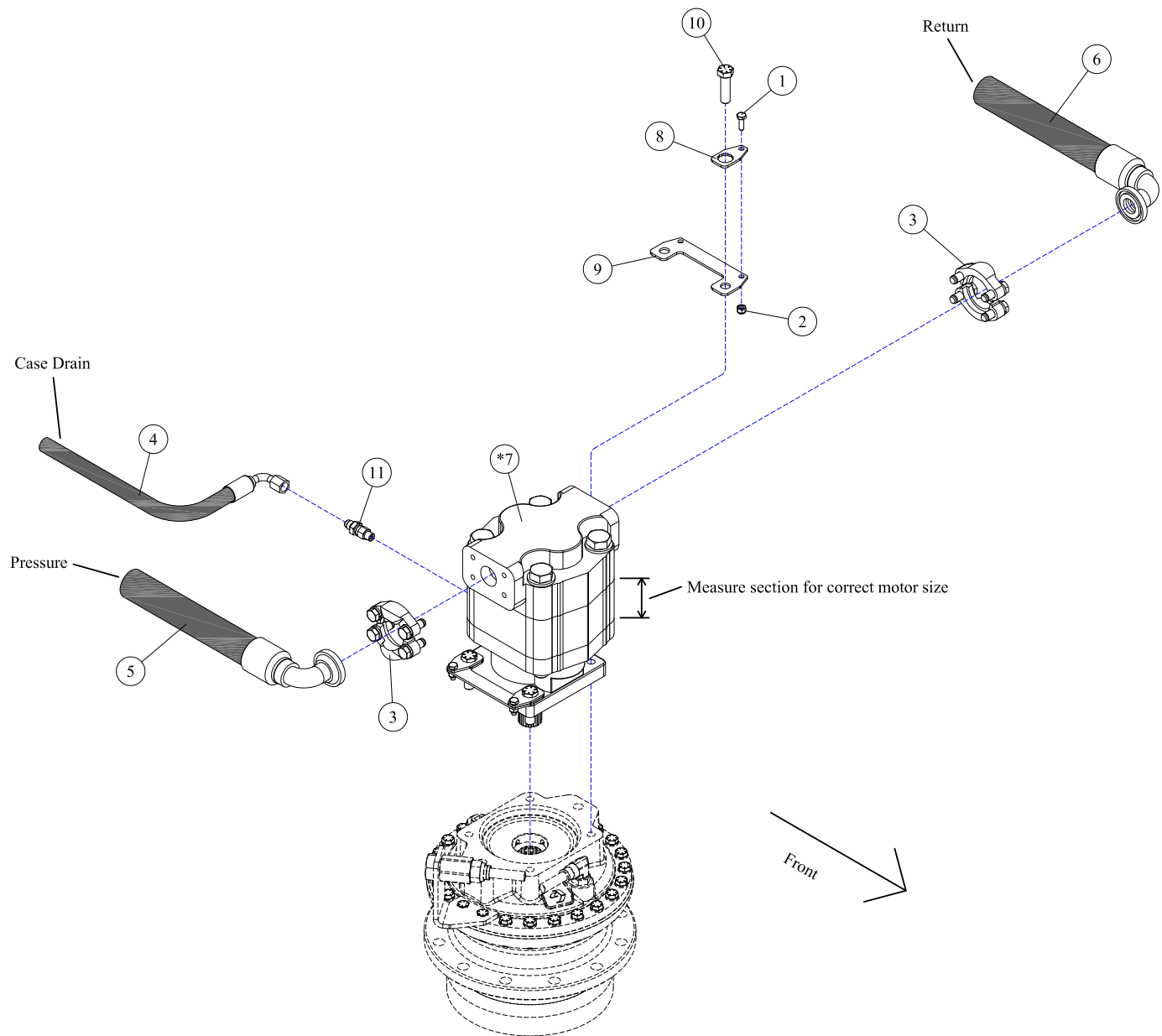
REF#	PARTS DESCRIPTION	REQ	PART #
1	NYLON BUSHING	2	10-0044
2	1/2 H.S. FLAT WASHER	8	11-0042
3	1/2 X 1-3/4 H.S. NC HEX CAPSCREW	8	11-0747
4	1/2 X 2-1/4 NF FLAT HEAD SKT HD CAP	8	11-0766
5	5/8 X 2-1/2 H.S. NF HEX CAPSCREW	8	11-0525
6	1/2 NC NYLOCK NUT, GR 8	8	11-1072
7	1/2 NF NYLOCK NUT, GR 8	8	11-1632
8	5/8 H.S. NF STOVER NUT	8	11-1143
9	1/4 X 2 ROLL PIN	2	11-2005
10	GREASE ZERK	1	23-0004

REF#	PARTS DESCRIPTION	REQ	PART #
11	CLEVIS PIN	1	27-0004
12	PIVOT DECK BOLT-ON PLATE	1	31-0073
13	PIVOT DECK COVER PLATE	1	31-0074
14	BUSHING	1	34-0005
15	SHIM	4	34-0078
16	MAST	1	41-0195
17	PIVOT ARM		
	PIVOT ARM - RIGHT (SHOWN)	1	41-1706
	PIVOT ARM - LEFT	1	41-1705

DRIVE ASSEMBLIES



DRIVE ASSEMBLIES - 60" BOOM ROTARY (WHEEL LOADER POWERED BOOM ONLY)



* Note: These are the flow rates AFTER the oil has passed through the 4:1 divider.

REF#	PARTS DESCRIPTION	REQ	PART #
1	1/4 X 3/4 NC HEX CAP	4	11-0588
2	1/4 NC NYLOCK NUT	4	11-1022
3	#20 FLANGE KIT	2	21-2105
4	HOSE 3/8 X 62 (3/8FJIC-90DEG X 1/2MJIC)	1	21-4304
5	HOSE 1 X 65 (1FJIC X #20FLG-90DEG)	1	21-2516
6	HOSE 1 X 57 (1FJIC X #20FLG-90DEG)	1	21-2517

REF#	PARTS DESCRIPTION	REQ	PART #
* 7	MOTOR		
	M365, 1-3/4" GEAR SET, 2-1/4" SECT, 30-39 GAL/MIN	1	30-0503
	M365, 2-1/4" GEAR SET, 2-3/4" SECT, 40-45 GAL/MIN	1	30-0524
8	MOTOR BOLT LOCK TAB	4	31-0503
9	MOTOR BOLT LOCK BASE	2	31-0504
10	1/2-20 X 1-3/4 H.S. NF HEX CAP GR.8	4	11-0664
11	ADAPTER, 1/4MOR X 3/8MJIC	1	21-1597

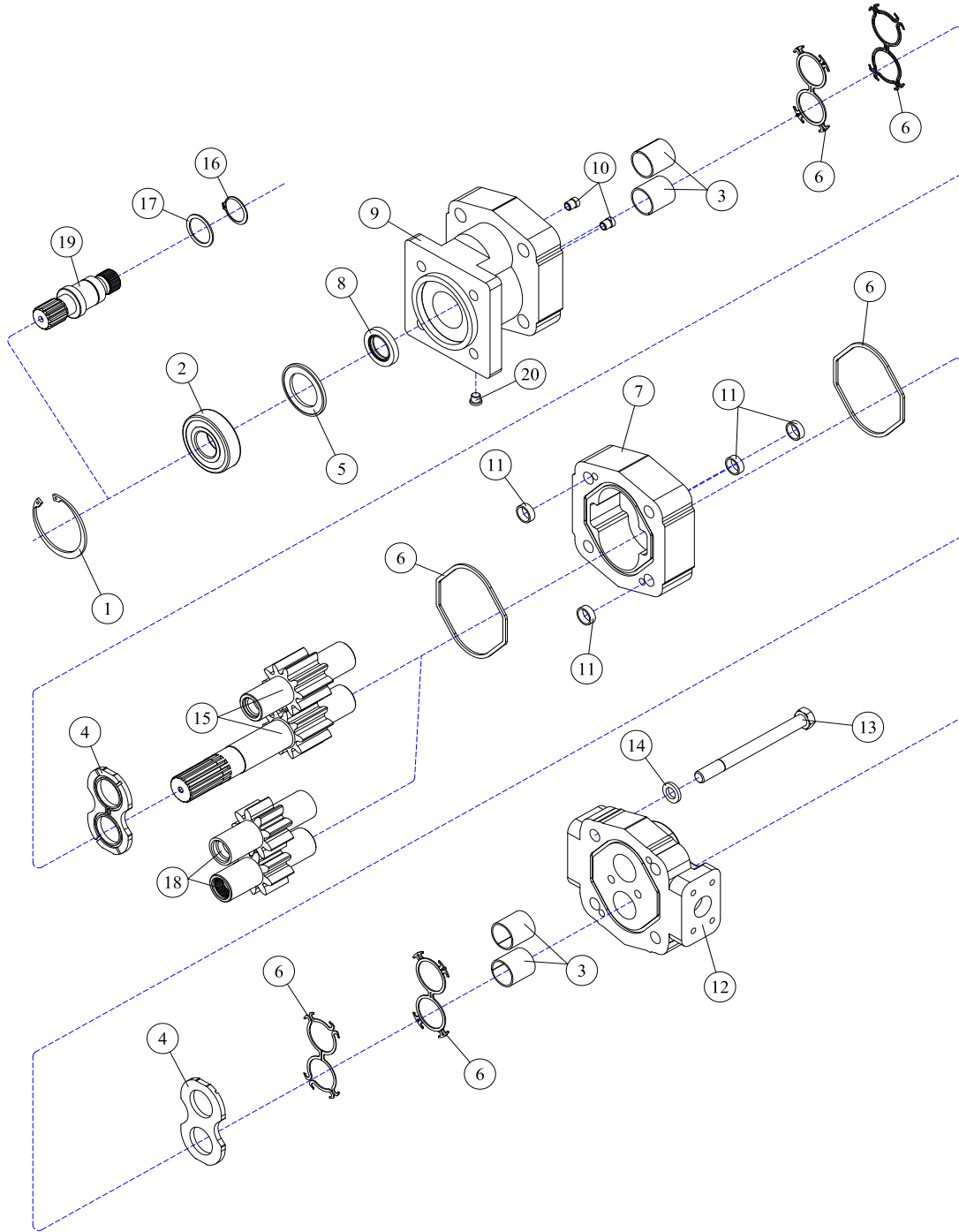
DECK ASSEMBLIES



30-0503 - MOTOR ASSEMBLY

**UNDER
CONSTRUCTION**

30-0524 - MOTOR ASSEMBLY



REF#	PARTS DESCRIPTION	REQ	PART #
1	SNAP RING	1	30-1009
2	OUTBOARD BEARING	1	30-1010
3	BUSHING	4	30-1011
4	THRUST PLATE	2	30-1012
5	SEAL RETAINER	1	30-1017
6	M365 SEAL KIT	Avail	30-1021
7	2-1/4" M365 GEAR HOUSING	1	30-1026
8	SHAFT SEAL		
	150 PSI (included in M365 seal kit)	1	30-1210
	500 PSI	1	30-1156
9	SHAFT END COVER	1	30-1086
10	CHECK ASSEMBLY	2	30-1087
11	ALIGNMENT BUSHING	4	30-1090

REF#	PARTS DESCRIPTION	REQ	PART #
12	PORT END COVER	1	30-1091
13	STUD	4	Call
14	WASHER	4	30-1093
	GEAR SET OPTION A:		
15	2-1/4" GEAR SET	1	30-1165
	GEAR SET OPTION B:		
16	RETAINING RING	1	30-1019
17	WASHER	1	30-1020
18	2-1/4" GEAR SET	1	30-1025
19	CONTINENTAL SHAFT, SPLINED	1	30-1144
20	PLUG	1	30-1096
*	SEAL APPLICATOR TOOL (not shown)	Avail	30-1048

35-0093 - DIRECT DRIVE SPINDLE

REF#	PARTS DESCRIPTION	REQ	PART #
1	BEARING-CONE (TOP)	1	10-0094
2	BEARING-CUP (TOP)	1	10-0095
3	BEARING-CONE (BOTTOM)	1	10-0096
4	BEARING-CUP (BOTTOM)	1	10-0097
5	BOLT-HEX HEAD	24	11-1611
6	WASHER-FLAT	24	11-1612
7	RING-RETAINING	1	11-1613
8	NUT-LOCK	1	11-1614
9	WASHER-LOCK	1	11-1615
10	SCREW-SKT HD CAP	6	11-1616
11	PIPE PLUG (TO COVER) (MAGNETIC)	1	21-1609
12	PIPE PLUG (TO COVER) (NON-MAGNETIC)	1	21-1610
13	PIPE PLUG (TO HUB) (MAGNETIC)	2	21-1611
14	WASHER-THRUST (TOP)	1	35-0096
15	COUPLING	1	35-0097
16	PLATE-KEEPER	1	35-0098
17	WASHER-THRUST (BOTTOM)	1	35-0099
**18	HUB	1	35-0100
19	SEAL-OIL	1	35-0101
*20	GUARD	1	35-0102
**21	SHAFT-OUTPUT	1	35-0103
22	COVER		
	C BASE (STANDARD)	1	35-0094
	D BASE (OPTIONAL)	1	35-0095

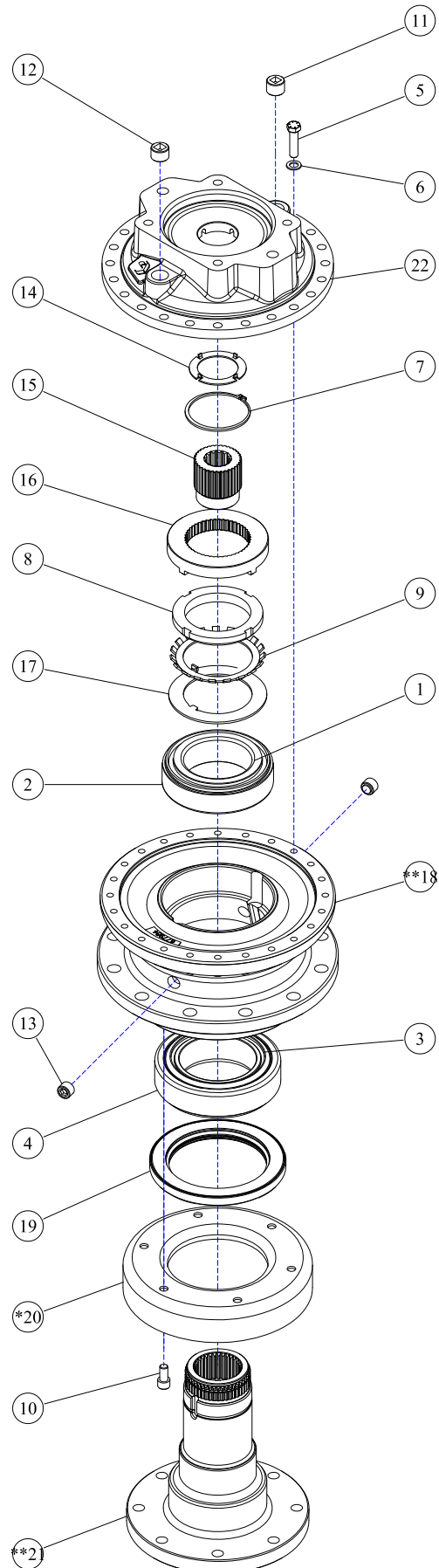
NOTE: WHEN ORDERING ANY ITEMS MARKED * ABOVE, ALSO ORDER SERVICE KIT 33-0078

NOTE: WHEN ORDERING ANY ITEMS MARKED ** ABOVE, ALSO ORDER SERVICE KIT 33-0079

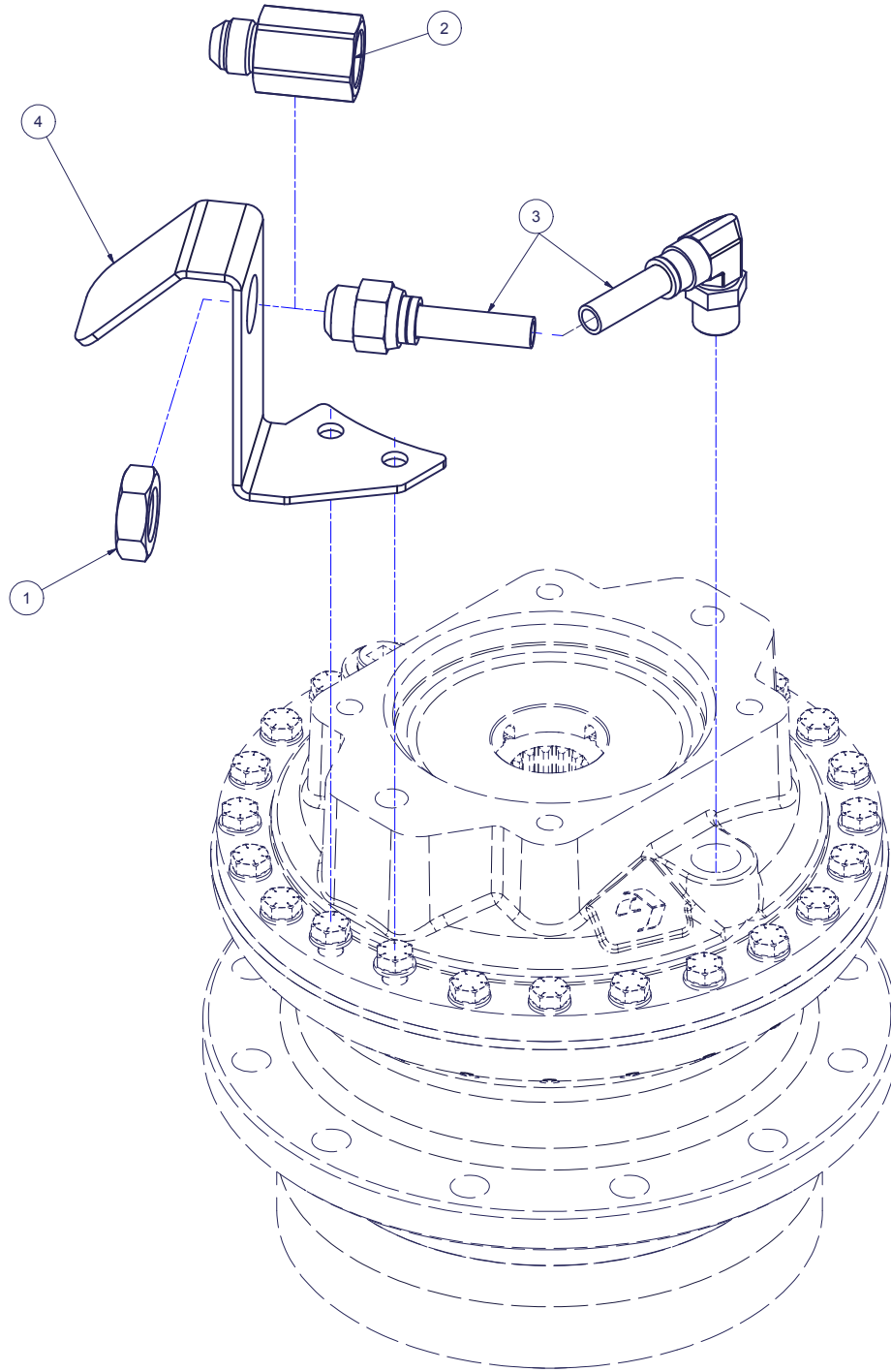
SERVICE KITS

PART #	DESCRIPTION	INCLUDED ITEMS
33-0078	SEAL KIT	9, 19
33-0079	BEARING & SEAL KIT	1, 2, 3, 4, 9, 19
33-0080	COUPLER KIT	14, 15

KITS ALSO INCLUDE A TUBE OF SEALANT PART NO. 35-0104



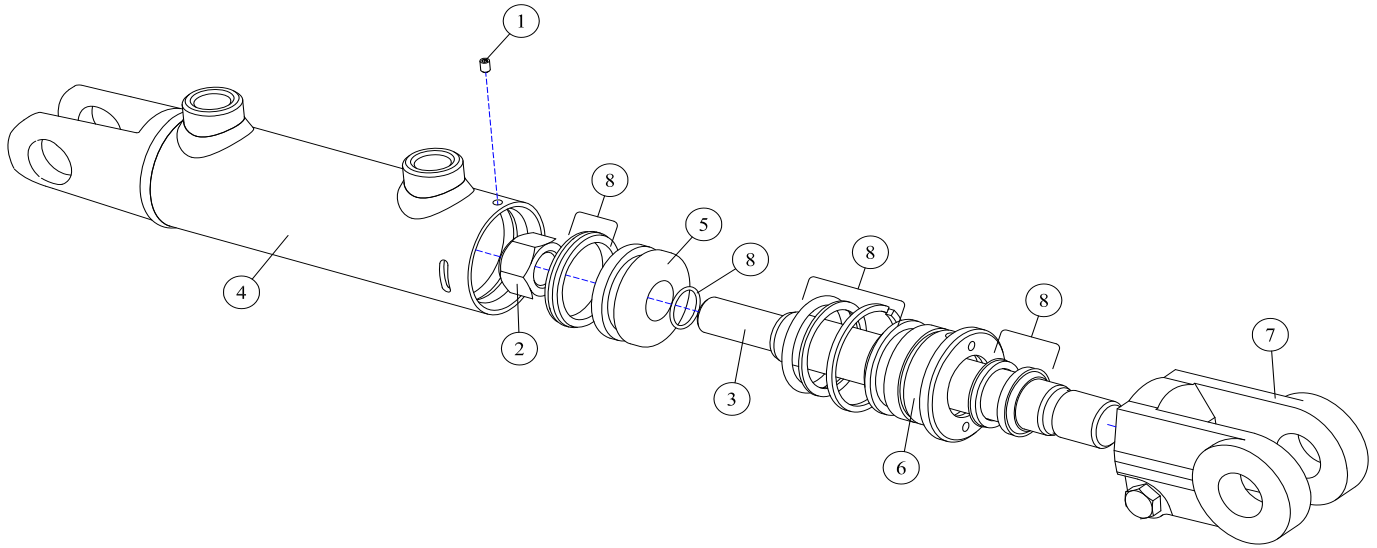
PRESSURE RELIEF VALVE - 35-0093 DIRECT DRIVE SPINDLE



REF#	PARTS DESCRIPTION	REQ	PART#	TORQUE (ft-lbs)	TORQUE (Nm)
1	7/8 UNF JAM NUT	1	11-1159		
2	JEMTEC D3 SPINDLE RELIEF VALVE	1	21-1653		
3	HOSE 1/2 X 8 (5/8 JIC - 1/2 MP 90 DEG SWIVEL)	1	21-2419		
4	D3 RELIEF VALVE MOUNT	1	31-0688		

LIFT ASSEMBLIES



14-0002 - 3X18 WELDED CYLINDER

REF#	PARTS DESCRIPTION	REQ	PART #
1	1/4-20 UNC-3/8 SETSCREW	1	11-2014
2	LOCKNUT	1	14-1120
3	PISTON ROD	1	14-1132
4	BUTT & TUBE ASSEMBLY	1	14-1142
5	PISTON	1	14-1150
6	GLAND	1	14-1155
7	CLEVIS ASSEMBLY	1	14-1160
8	SEAL KIT	1	33-0038



**100% SATISFACTION
GUARANTEE**
★ GET IT, LOVE IT, *or* LEAVE IT! ★

**72-HOUR PARTS
SHIPPING GUARANTEE**