



PARTS BOOK

ROTARY HEADS

• TWIN 60" CUT • COMBO MID-MOUNT • 5.10.18 •

DIAMOND MOWERS, LLC
350 E 60th St. North
Sioux Falls, SD 57104

FOR WARRANTY CALL DIAMOND MOWERS DIRECT:
888-960-0364
OUR TECHNICIANS WILL DIAGNOSE YOUR SITUATION
OVER THE PHONE TO GET YOU UP AND RUNNING QUICKLY.

Phone: 605-977-3300
Fax: 605-655-5870
www.diamondmowers.com

DEMAND BRILLIANCE.

© DIAMOND MOWERS, LLC



Foreword

This manual contains the parts breakdown and identification of the various components and structures that make up your mower implement.

The illustrations, drawings, and diagrams in this manual are based on the latest information available at the time of publication. Your machine may have product improvements and features not yet contained in this parts manual.

Diamond Mowers, LLC reserves the right to make changes at any time without notice or obligation.

Diamond Mowers, LLC™ and Wetblade™ are trademarks of Diamond Mowers, LLC.

This manual should be consulted prior and while assembling the unit, and anytime parts or assembly clarification is needed.

Copyright© 2016 Diamond Mowers, LLC

All rights reserved. While every precaution has been taken in the preparation of this manual, the publisher assumes no responsibility for errors or omissions. No part of this book covered by the copyrights hereon may be reproduced or copied in any form or by any means - graphic, electronic, or mechanical, including photocopying, taping, or information storage and retrieval systems - without written permission of the publisher.



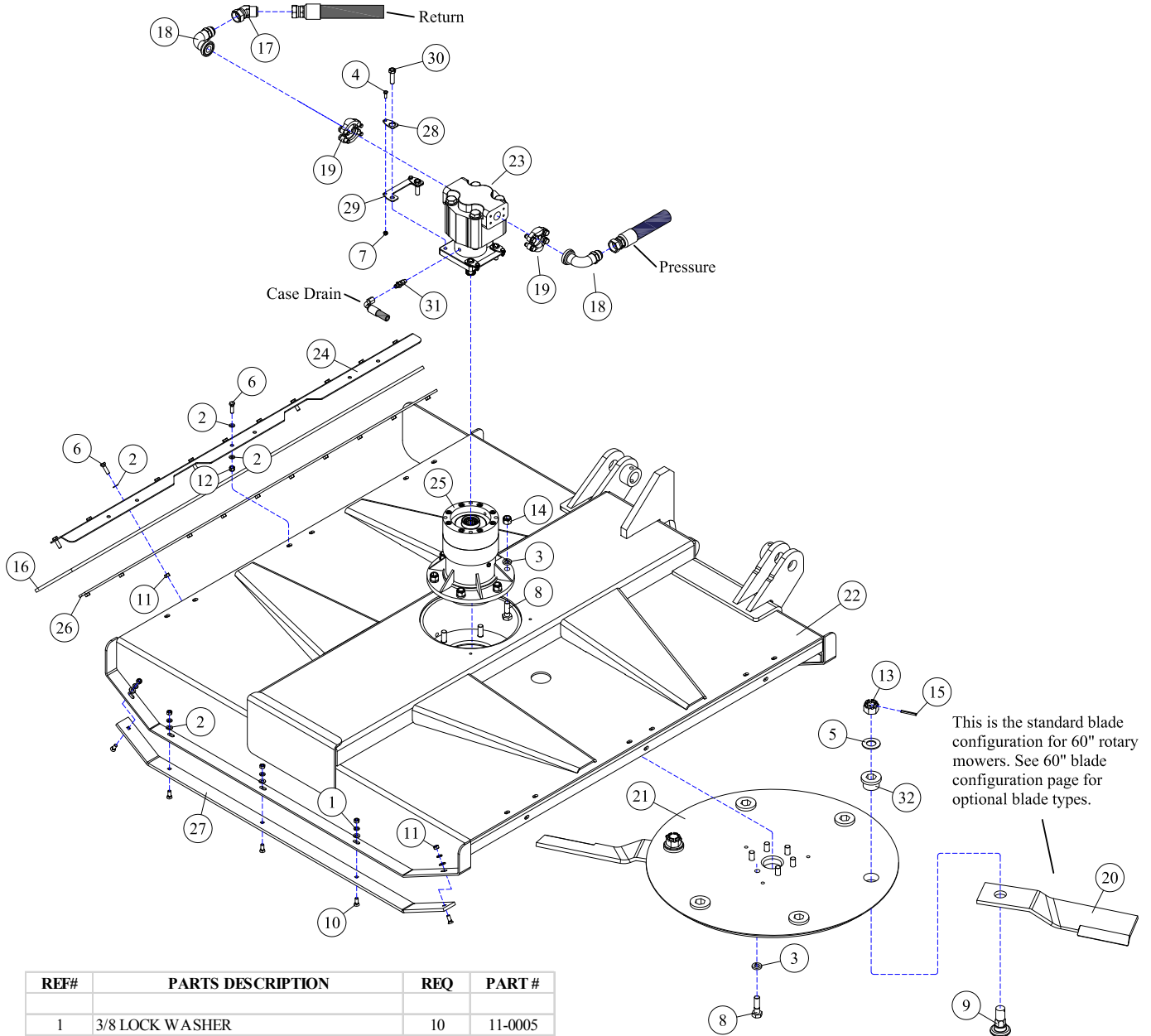
Table of Contents

ROTARY HEADS	4
SIDE ROTARY HEAD - 60" COMBO DECK, DIRECT DRIVE.....	5
SIDE ROTARY HEAD - 60" BLADE CONFIGURATIONS.....	6
SIDE ROTARY HEAD - 60" CHAIN GUARD ATTACHMENT.....	8
REAR ROTARY HEAD - 60" REAR DECK, DIRECT DRIVE.....	9
DRAFT BEAM ASSEMBLIES	11
DRAFT BEAM - COMBO LIFT, STD.....	12
DRAFT BEAM - COMBO LIFT, NARROW.....	13
DRAFT BEAM - DX2.....	14
CASTER ASSEMBLIES	15
CASTER ASSEMBLIES - 60"/72" REAR ROTARY DECK.....	16
DECK ASSEMBLIES	17
30-0524 - MOTOR ASSEMBLY.....	18
35-0088 - DIRECT DRIVE SPINDLE.....	19
LIFT ASSEMBLIES	20
14-0001 - 3X10 WELDED CYLINDER.....	21
14-0004 - 3X12 WELDED CYLINDER, SLUGGED.....	22
ELECTRICAL ASSEMBLIES	23
LIMIT SWITCH - DRAFT BEAM HEIGHT LIMITER.....	24

ROTARY HEADS



SIDE ROTARY HEAD - 60" COMBO DECK, DIRECT DRIVE



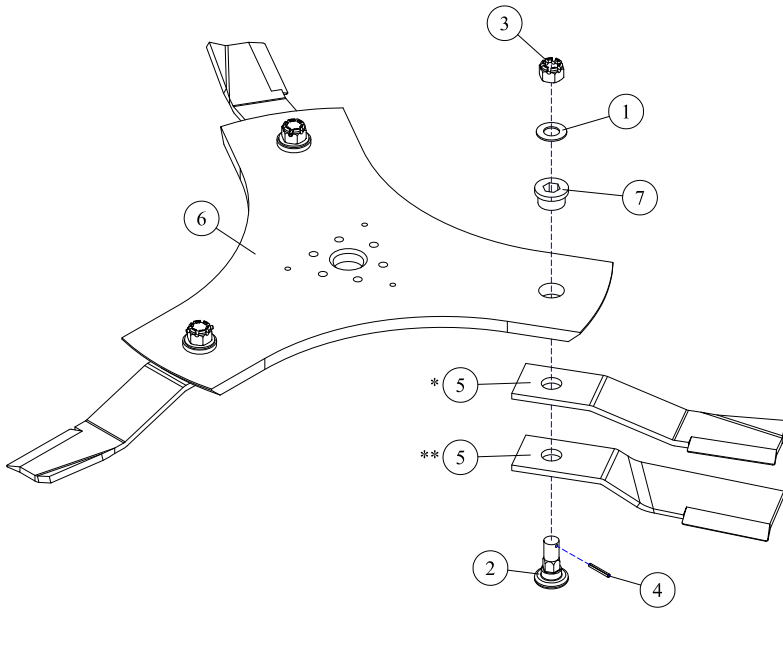
This is the standard blade configuration for 60" rotary mowers. See 60" blade configuration page for optional blade types.

REF#	PARTS DESCRIPTION	REQ	PART #
1	3/8 LOCK WASHER	10	11-0005
2	5/16 FLAT WASHER	33	11-0015
3	5/8 H.S. LOCK WASHER	12	11-0043
4	1/4 X 3/4 NC HEX CAP	4	11-0588
5	1-1/8 H.S. FLAT WASHER	2 - 6	11-0057
6	3/8 X 1-1/4 NC HEX CAPSCREW	17	11-0533
7	1/4 NC NYLOCK NUT	4	11-1022
8	5/8 X 2-1/4 H.S. NF HEX CAPSCREW	12	11-0691
9	BLADE BOLT - HEX BASE	2 - 6	11-0759
10	3/8 X 1-1/4 NC PLOW BOLT	10	11-0804
11	3/8 NC HEX NUT	21	11-1001
12	3/8 NC NYLOCK NUT	6	11-1024
13	1-1/8 NF CASTLE NUT	2 - 6	11-1050
14	5/8 H.S. NF STOVER NUT	6	11-1143
15	ROLLPIN	2 - 6	11-2005
16	FLAP	1	18-0001
17	1MJ X 1FJX-45DEG FITTING	1	21-1145
18	ADAPTER, #20FLG X 1MJIC-90DEG	2	21-1267
19	#20 FLANGE KIT	2	21-2105
20	HIGH SUCTION KNIFE	2 - 6	22-0004
21	DISH	1	24-0217
22	DECK SHELL	1	25-0054
23	MOTOR	1	30-0524

REF#	PARTS DESCRIPTION	REQ	PART #
24	FLAP BAR PLATE	1	31-0054
25	SPINDLE	1	35-0088
26	FLAP BAR	1	41-0101
27	SKID SHOE	2	42-0003
28	MOTOR BOLT LOCK TAB	4	31-0503
29	MOTOR BOLT LOCK BASE	2	31-0504
30	1/2-20 X 1-3/4 H.S. NF HEX CAP GR.8	4	11-0664
31	ADAPTER, 1/4MOR X 3/8MJIC	1	21-1597
32	REPLACEABLE HEX INSERT	Avail	90-7010
33	BLADE KITS)		
	60" SIDE ONLY		
	Includes 5, 9, 13, 15, & 20	1	44-0232
	60" SIDE & 60" REAR		
	Includes 5, 9, 13, 15, & 20	1	44-0234
	60" SIDE & 72" REAR		
	Includes 5, 9, 13, 15, 20, & #22-0001 for the 72"	1	44-0235
	72" SIDE & 60" REAR		
	Includes 5, 9, 13, 15, 20, & #22-0001 for the 72"	1	44-0235

SIDE ROTARY HEAD - 60" BLADE CONFIGURATIONS

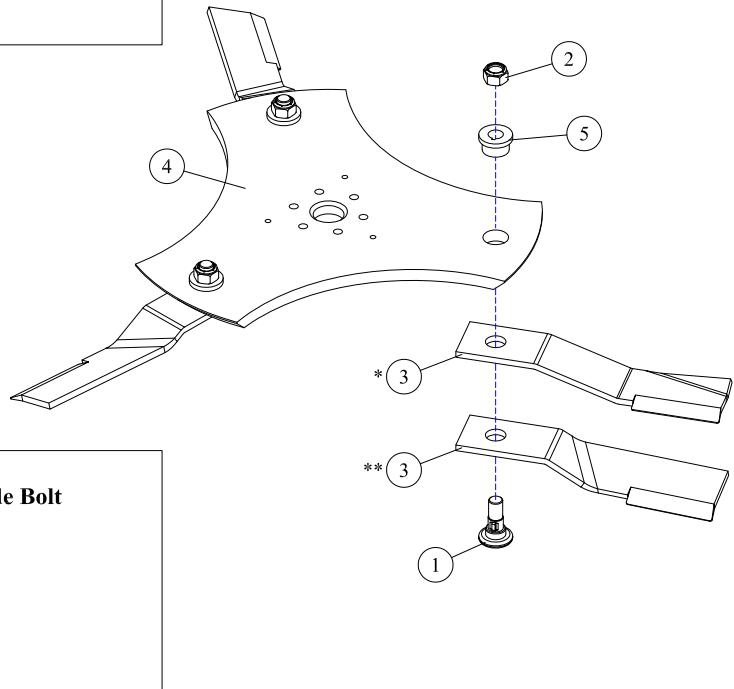
(24-0086) Tri-Hex Blade Dish with Hex Blade Bolt



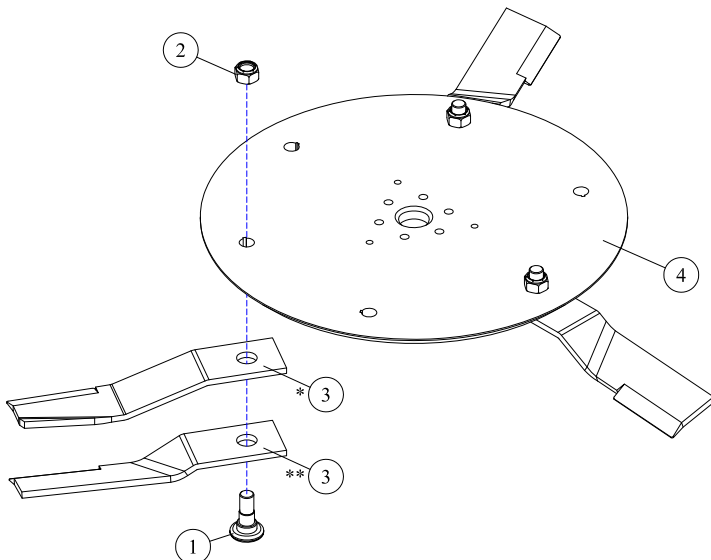
REF#	PARTS DESCRIPTION	REQ	PART #
1	1-1/8 H.S FLAT WASHER	3	11-0057
2	BLADE MOUNTING BOLT	3	11-0759
3	BLADE MOUNTING NUT	3	11-1050
4	ROLLPIN	3	11-2005
5	KNIFE		
*	1/2" GRASS BLADE	3	22-0002
**	1/2" GRASS BLADE (HIGH SUCTION)	3	22-0004
6	60" TRI-HEX DISH	1	24-0086
7	REPLACEABLE HEX INSERT	Avail	90-7010

REF#	PARTS DESCRIPTION	REQ	PART #
1	BLADE MOUNTING BOLT	3	11-0503
2	BLADE MOUNTING NUT	3	11-1008
3	KNIFE		
*	1/2" GRASS BLADE	3	22-0002
**	1/2" GRASS BLADE (HIGH SUCTION)	3	22-0004
4	BLADE DISH	1	24-0076
5	REPLACEABLE INSERT	Avail	90-7007

(24-0076) Tri-Blade Dish with 1/8" Keyed Blade Bolt



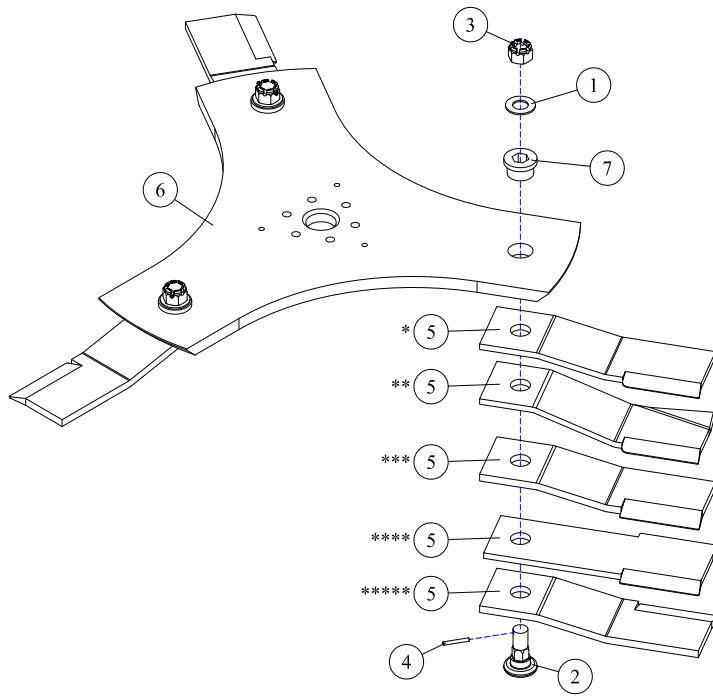
(24-0001) Round Blade Dish with 1/8" Keyed Blade Bolt



REF#	PARTS DESCRIPTION	REQ	PART #
1	BLADE MOUNTING BOLT	3	11-0503
2	BLADE MOUNTING NUT	3	11-1008
3	KNIFE		
*	1/2" GRASS BLADE	3	22-0002
**	1/2" GRASS BLADE (HIGH SUCTION)	3	22-0004
4	BLADE DISH	1	24-0001

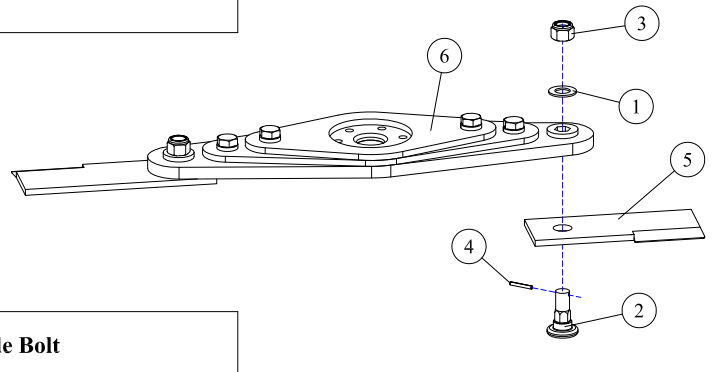
SIDE ROTARY HEAD - 60" BLADE CONFIGURATIONS

(24-0145) Tri-Hex Blade Dish with Hex Blade Bolt



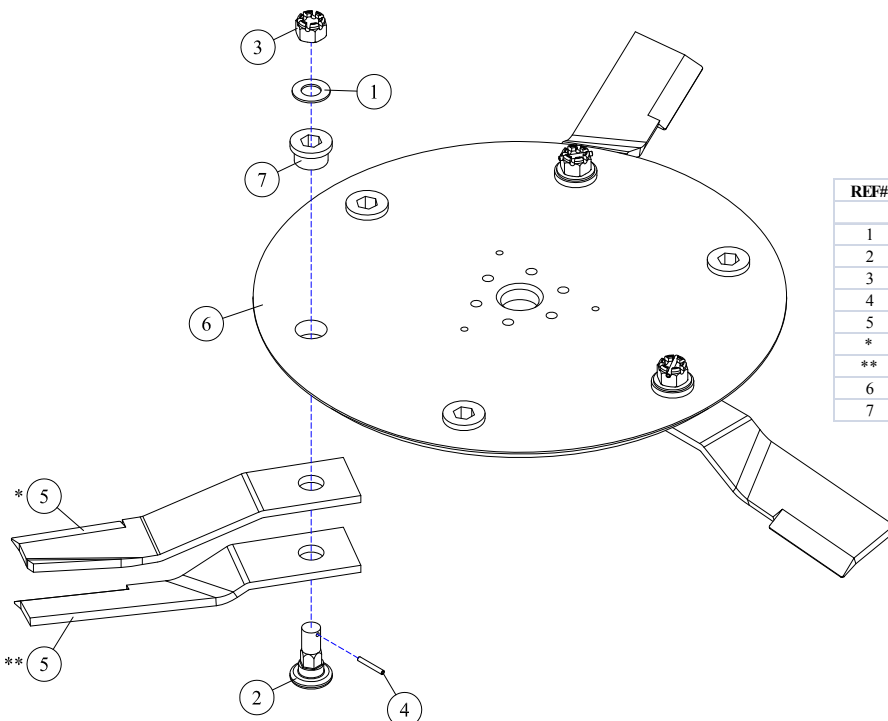
REF#	PARTS DESCRIPTION	REQ	PART #
1	1-1/8 H.S FLAT WASHER	3	11-0057
2	BLADE MOUNTING BOLT	3	11-0759
3	BLADE MOUNTING NUT	3	11-1050
4	ROLLPIN	3	11-2005
5	KNIFE		
*	50" BRUSH KNIFE - 1/2"	3	22-0003
**	50" GRASS KNIFE, HIGH SUCTION - 1/2"	3	22-0005
***	50" BRUSH BLADE - 5/8"	3	22-0006
****	50" BI-DIRECTIONAL BLADE - 1/2"	3	22-0012
*****	50" BRUSH KNIFE - REVERSE ROTATION - 5/8"	3	22-0017
6	60" BOOM DECK DISH	1	24-0145
7	REPLACEABLE HEX INSERT	Avail	90-7010

(24-0102) 3-Tier Blade Bar Reversible



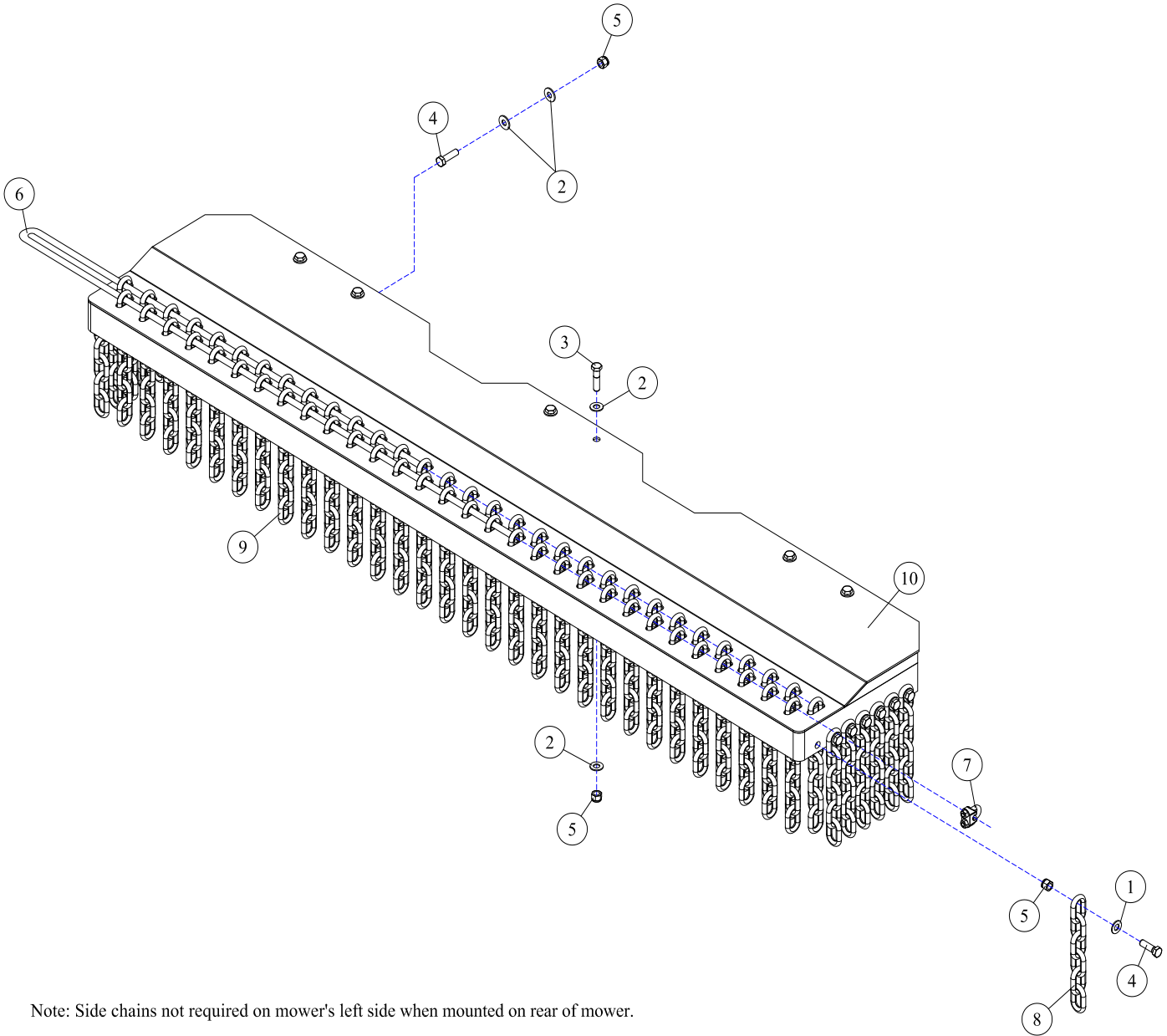
REF#	PARTS DESCRIPTION	REQ	PART #
1	1-1/8 SAE H.S. FLAT WASHER	2	11-0057
2	KNIFE MOUNTING BOLT	2	11-0759
3	KNIFE MOUNTING NUT	2	11-1050
4	1/4 X 2 ROLL PIN	2	11-2005
5	50" BI-DIRECTIONAL BLADE	2	22-0012
6	BLADE BAR	1	24-0102

(24-0217) 60" 2-3 Blade Round Dish with Hex Blade Bolt



REF#	PARTS DESCRIPTION	REQ	PART #
1	1-1/8 H.S FLAT WASHER	3	11-0057
2	BLADE MOUNTING BOLT	3	11-0759
3	BLADE MOUNTING NUT	3	11-1050
4	ROLLPIN	3	11-2005
5	KNIFE		
*	1/2" GRASS BLADE	3	22-0002
**	1/2" GRASS BLADE (HIGH SUCTION)	3	22-0004
6	60" ROUND DISH, 2-3 BLADE	1	24-0217
7	REPLACEABLE HEX INSERT	Avail	90-7010

SIDE ROTARY HEAD - 60" CHAIN GUARD ATTACHMENT

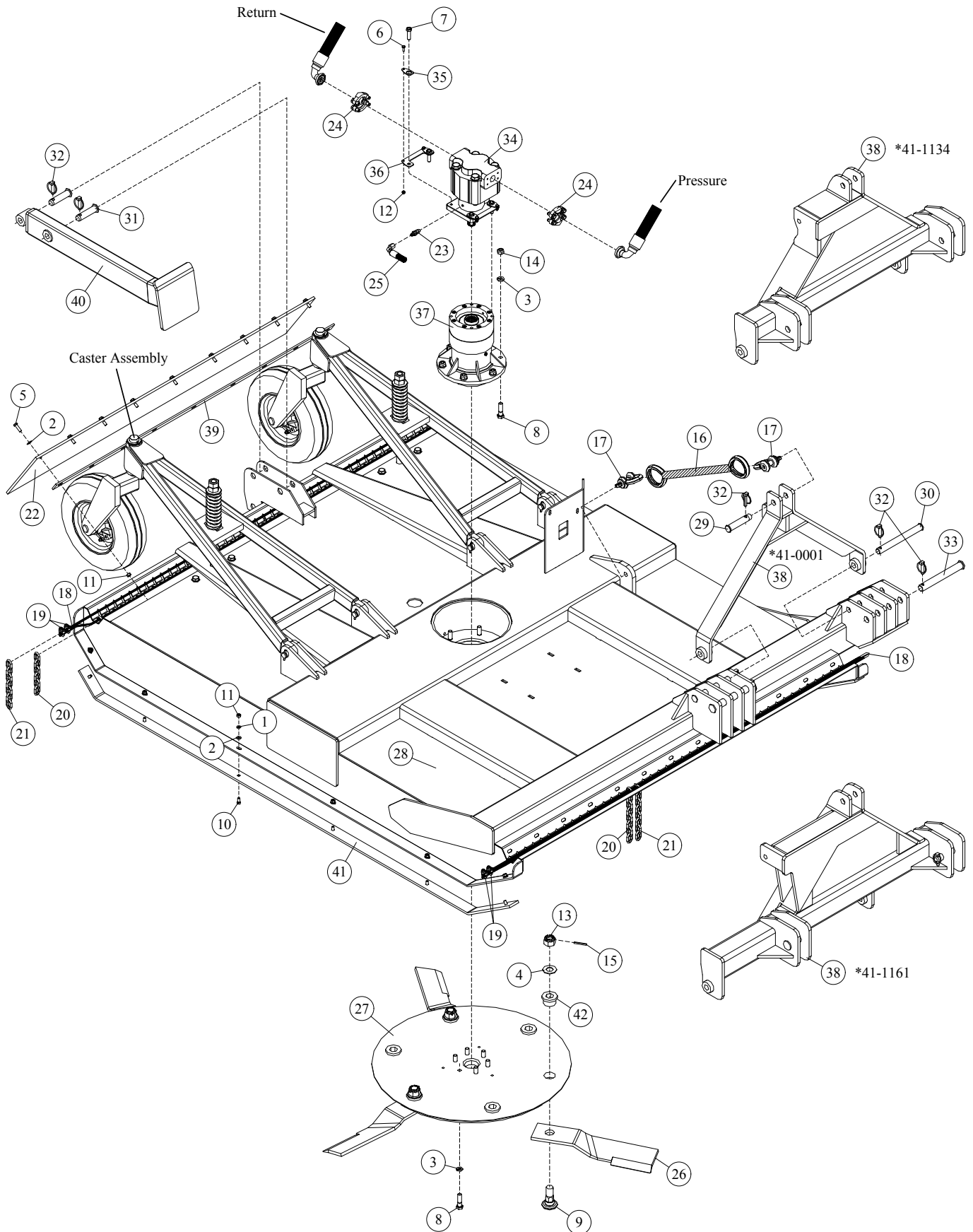


Note: Side chains not required on mower's left side when mounted on rear of mower.

Note: Use part # 45-0098 to order complete 60" chain guard.

REF#	PARTS DESCRIPTION	REQ	PART #
1	3/8 FLAT WASHER	14	11-0009
2	5/16 FLAT WASHER	18	11-0015
3	3/8 X 1-1/2 NC HEX CAP	6	11-0529
4	3/8 X 1-1/4 NC HEX CAP	17	11-0533
5	3/8 NC NYLOCK NUT	23	11-1024
6	GALVANIZED CABLE (SOLD PER FOOT)	11ft	12-0032
7	1/4" WIRE ROPE CLAMP	1	12-0033
8	5/16" ZINC CHAIN - 6 LINKS	14	12-0035
9	5/16" ZINC CHAIN - 7 LINKS	61	12-0036
10	CHAIN GUARD	1	41-0088

REAR ROTARY HEAD - 60" REAR DECK, DIRECT DRIVE



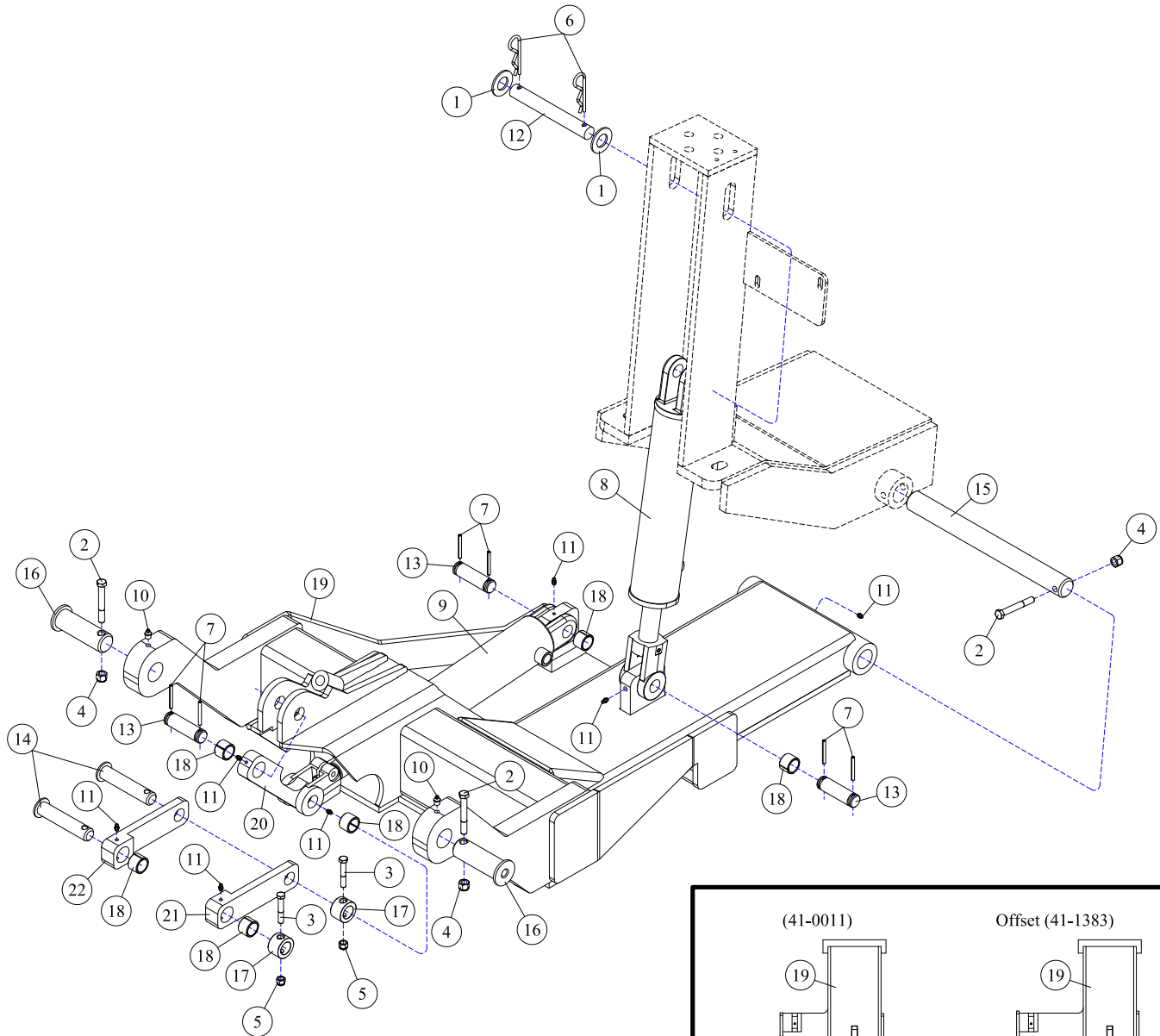
REAR ROTARY HEAD - 60" REAR DECK, DIRECT DRIVE

REF#	PARTS DESCRIPTION	REQ	PART #
1	3/8 LOCK W ASHER	12	11-0005
2	5/16 FLAT W ASHER GR 5	21	11-0015
3	5/8 LOCK W ASHER GR 8	12	11-0043
4	1-1/8 FLAT W ASHER GR 8	3 - 6	11-0057
5	3/8 X 1-1/4 NC HEX CAP	9	11-0533
6	1/4 X 3/4 NC HEX CAP	4	11-0588
7	1/2-20 X 1-3/4 H.S. NF HEX CAP GR.8	4	11-0664
8	5/8 X 2-1/4 H.S. NF HEX CAPSCREW	12	11-0691
9	D3 BLADE BOLT	3 - 6	11-0759
10	PLOW BOLT	12	11-0804
11	3/8 NC HEX NUT	21	11-1001
12	1/4 NC NYLOCK NUT	4	11-1022
13	KNIFE MOUNTING NUT	3 - 6	11-1050
14	5/8 H.S. NF STOVER NUT	6	11-1143
15	1/4 X 2 ROLL PIN	3 - 6	11-2005
16	LIFT ROTARY CABLE	1	12-0001
17	SHACKLE W/ PIN	2	12-0004
18	1/4" GALVANIZED CABLE	22	12-0032
19	1/4" WIRE ROPE CLAMP	4	12-0033
20	5/16 BULK CHAIN, 6 LINKS/SET (INSIDE)	72	12-0035
21	5/16 BULK CHAIN, 7 LINKS/SET (OUTSIDE)	70	12-0036
22	60" REAR ROTARY FLAP	1	18-0051
23	ADAPTER, 1/4MOR X 3/8MJIC	1	21-1597
24	#20 FLANGE KIT	2	21-2105
25	HOSE 3/8 X 90 (3/8FJIC X 3/8FJIC-90DEG)	1	21-4306
26	60" HIGH SUCTION ROTARY KNIFE	3 - 6	22-0004
27	60" 2-3 BLADE ROUND DISH (for hex bolts)	1	24-0217
28	60" HEAVY DUTY REAR DECK	1	25-0055
29	UPPER 3-POINT PIN	1	27-0007
30	3-POINT/DECK PIN	2	27-0010
31	SAFETY STAND PIN	2	27-0011
32	LYNCH PIN	7	27-1005
33	LOWER 3-POINT PIN	2	27-1006
34	MOTOR 365" 2-1/4" GEARS	1	30-0524
35	MOTOR BOLT LOCK TAB	4	31-0503
36	MOTOR BOLT LOCK BASE	2	31-0504
37	HEAVY DUTY SPINDLE	1	35-0088
*38	<u>3-POINT HITCH</u>		
	HITCH, 3PT TRR	1	41-0001
	REAR ROTARY DECK OFFSET BRACKET	1	41-1134
	REAR ROTARY DECK OFFSET BRKT, 13-1/2"	1	41-1161
39	FLAP BAR	1	41-0020
40	SAFETY STAND	1	41-0039
41	SKID SHOE	2	42-0004
42	REPLACEABLE HEX INSERT	Avail	90-7010
43	BLADE KITS)		
	60" SIDE ONLY		
	Includes 4, 9, 13, 15, & 26	1	44-0232
	60" SIDE & 60" REAR		
	Includes 4, 9, 13, 15, & 26	1	44-0234
	60" SIDE & 72" REAR		
	Includes 4, 9, 13, 15, & 26, & #22-0001 for the 72"	1	44-0235
	72" SIDE & 60" REAR		
	Includes 4, 9, 13, 15, & 26, & #22-0001 for the 72"	1	44-0235

DRAFT BEAM ASSEMBLIES



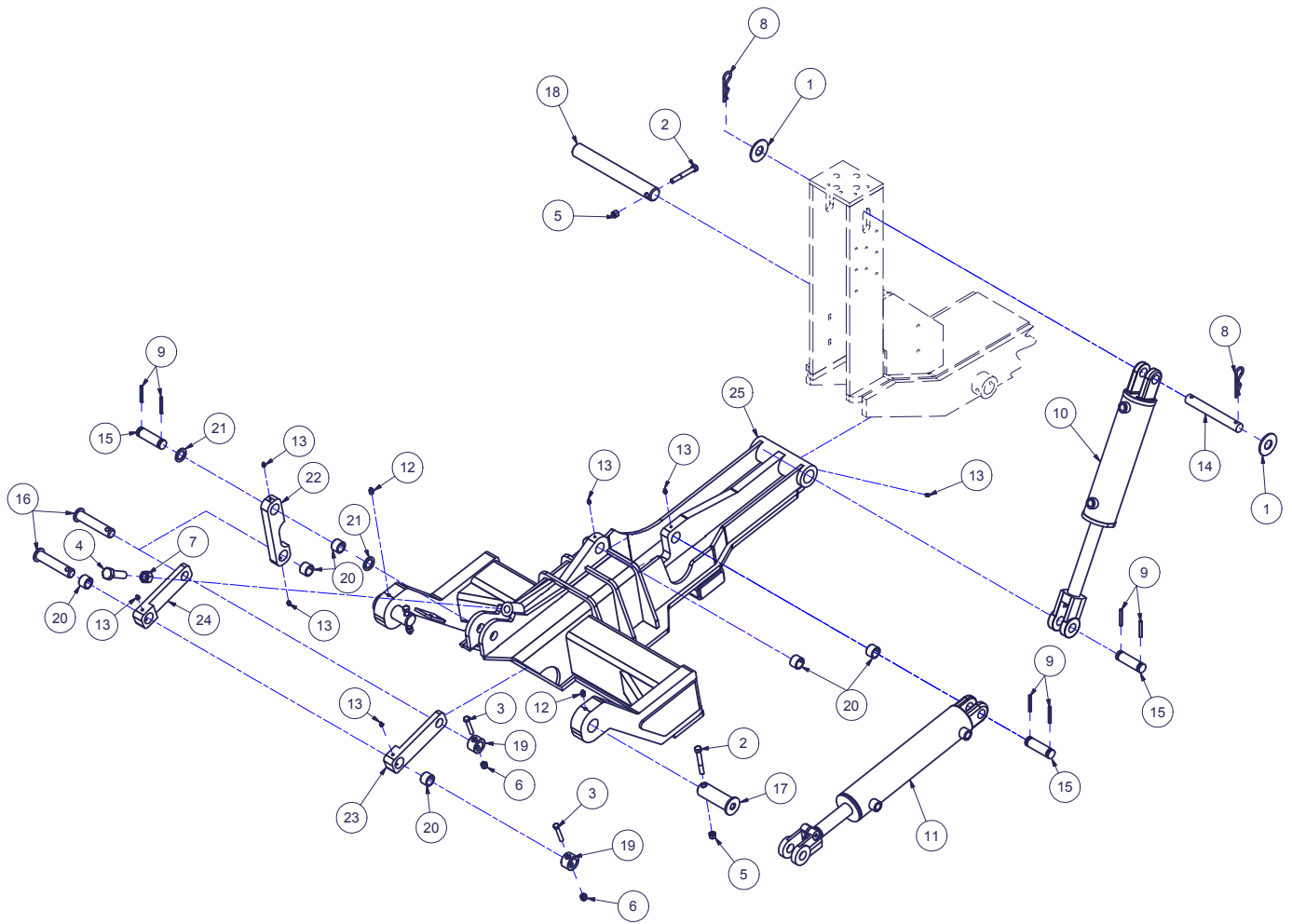
DRAFT BEAM - COMBO LIFT, STD



REF#	PARTS DESCRIPTION	REQ	PART #
1	1 FLAT WASHER	2	11-0001
2	7/16 X 3-1/4 NC HEX CAPSCREW	3	11-0510
3	3/8 X 2-1/4 NC HEX CAPSCREW	2	11-0513
4	7/16 NC NYLOCK NUT	3	11-1003
5	3/8 NC NYLOCK NUT	2	11-1024
6	R-CLIP	2	11-2001
7	1/4 X 2 ROLL PIN	6	11-2005
8	3 X 10 WELDED CYLINDER	1	14-0001
9	3 X 12 WELDED CYLINDER	1	14-0004
10	1/8 GREASE ZERK	2	23-0003
11	1/4 GREASE ZERK	7	23-0004
12	1 X 7 PIN	1	27-0003

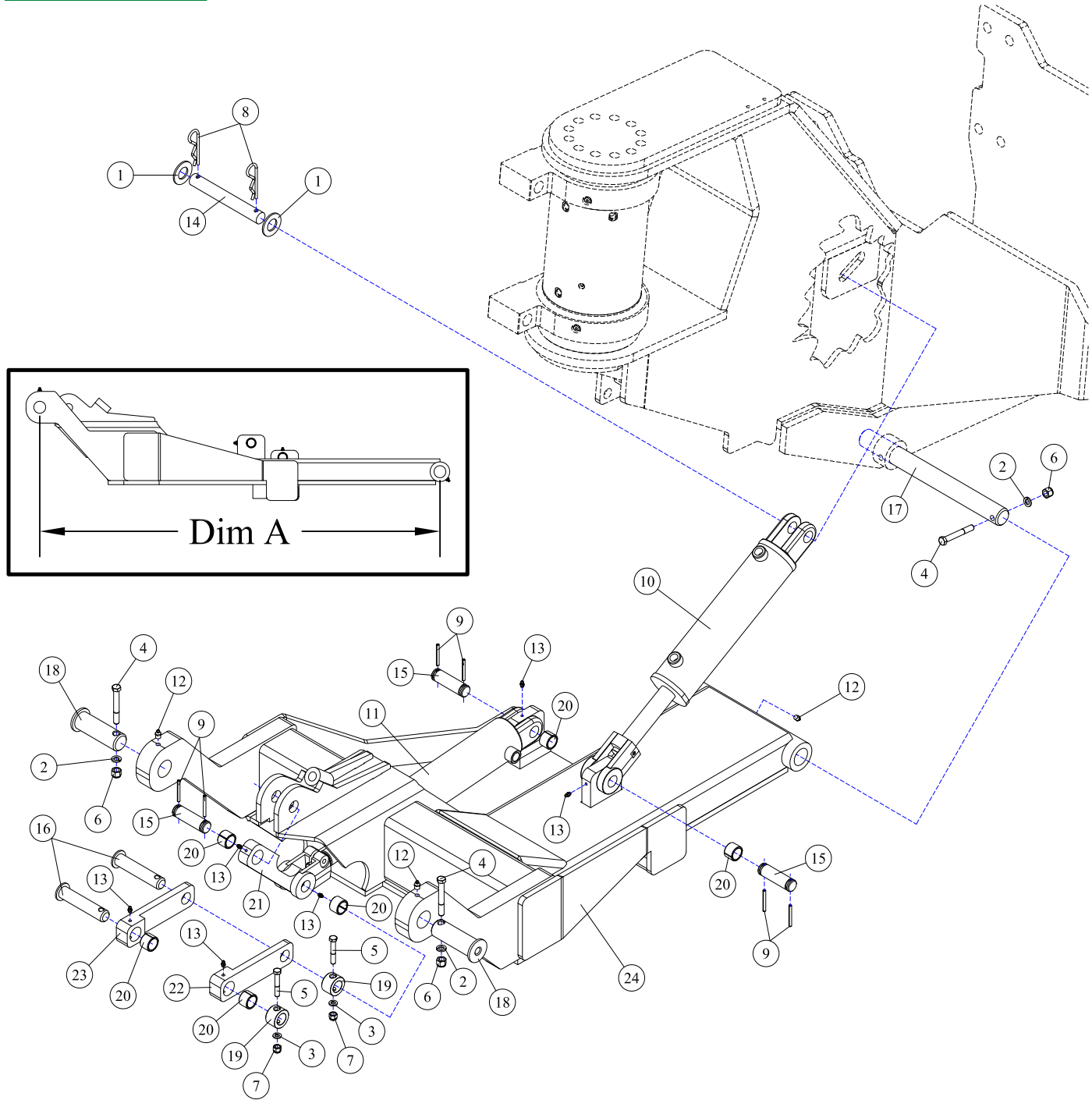
REF#	PARTS DESCRIPTION	REQ	PART #
13	CLEVIS PIN	3	27-0004
14	LINKAGE PIN	2	27-0009
15	DRAFT BEAM/MAIN FRAME PIN	1	27-0502
16	EAR PIN	2	27-0509
17	BOSS	2	34-0002
18	HARDENED BUSHING	6	34-0005
19	DRAFT BEAM		
	COMBO DRAFT BEAM	1	41-0011
	COMBO DRAFT BEAM, 4" REAR OFFSET	1	41-1383
20	PIVOT ARM	1	41-0025
21	LINKAGE ARM LEFT	1	41-0026
22	LINKAGE ARM RIGHT	1	41-0027

DRAFT BEAM - COMBO LIFT, NARROW



REF#	PARTS DESCRIPTION	REQ	PART#	TORQUE (ft-lbs)	TORQUE (Nm)
1	1 FLAT WASHER GR 5	2	11-0001		
2	7/16 X 3-1/4 NC HEX CAP GR 5	3	11-0510	49.4	67.0
3	3/8 X 2-1/4 NC HEX CAP GR 5	2	11-0513	30.9	41.9
4	3/4 X 2-1/2 NC HEX CAPSCREW	1	11-0563	267.0	362.0
5	7/16 NC NYLOCK NUT	3	11-1003		
6	3/8 NC NYLOCK NUT	2	11-1024		
7	3/4 NC HEX NUT	1	11-1033		
8	3/16 R-CLIP	2	11-2001		
9	1/4" ROLL PIN x 2"	6	11-2005		
10	3 X 10 WELDED CYLINDER	1	14-0001		
11	3 X 12 WELDED CYLINDER, SLUGGED	1	14-0004		
12	GREASE ZERK 1/8" STRAIGHT	2	23-0003		
13	GREASE ZERK 1/4" STRAIGHT	7	23-0004		
14	PIN 1 X 7-5/8	1	27-0003		
15	CYLINDER PIN, 3-1/2"	3	27-0004		
16	LINKAGE PIN	2	27-0009		
17	PIN 1-1/2 X 4-1/2 CAP	2	27-0509		
18	SWING FLAIL PIN 1.5 X 11.75	1	27-0515		
19	LINKAGE BOSS	2	34-0002		
20	BUSHING	6	34-0005		
21	1-1/2OD X 1ID X 10GA BUSHING	2	34-0060		
22	PIVOT LINKAGE	1	41-0025		
23	LINKAGE ARM LEFT COMBO DRAFT BEAM LINKAGE LEFT	1	41-0026		
24	LINKAGE ARM RIGHT COMBO DRAFT BEAM LINKAGE RIGHT	1	41-0027		
25	COMBO DRAFT BEAM, 11.25 FORWARD OFFSET	1	41-1429		

DRAFT BEAM - DX2



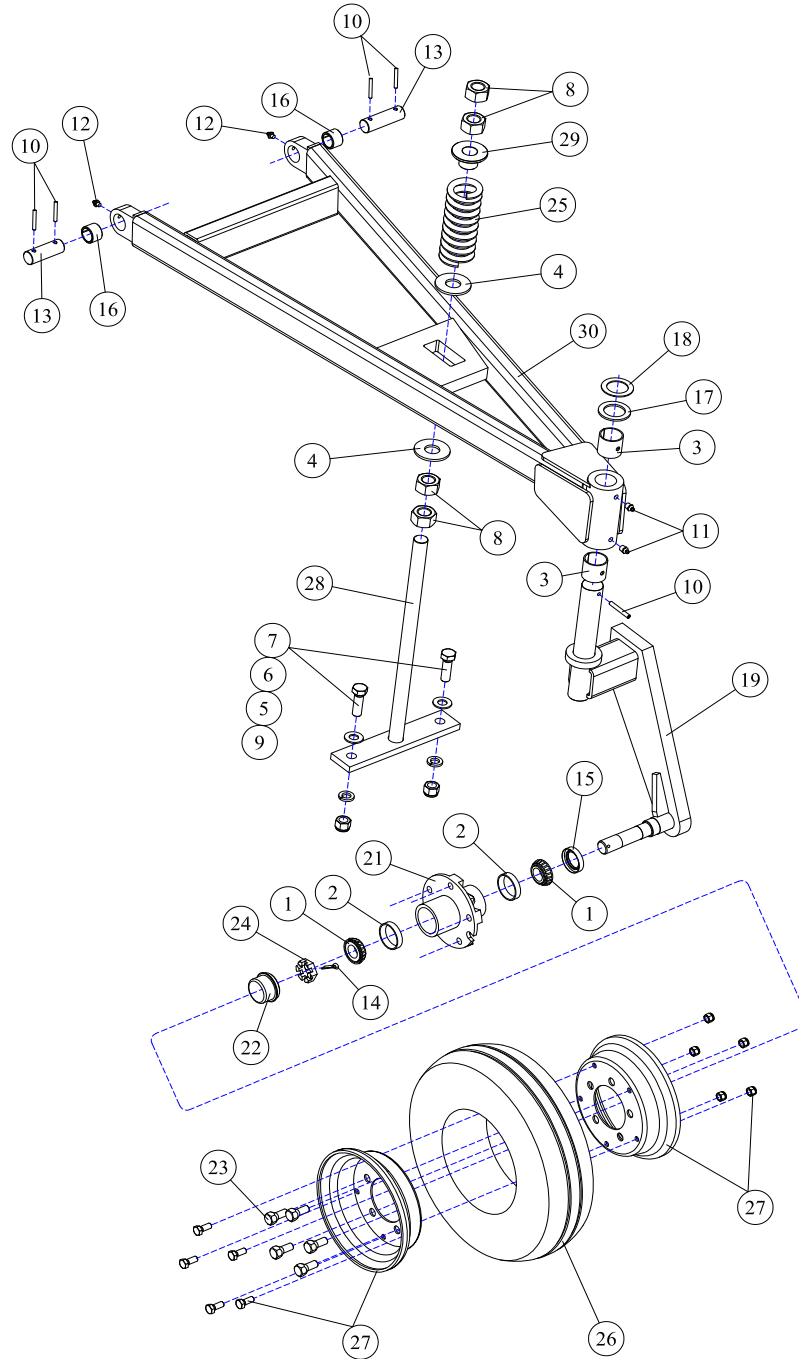
REF#	PARTS DESCRIPTION	REQ	PART #
1	1 FLAT WASHER	2	11-0001
2	7/16 LOCK WASHER	3	11-0003
3	3/8 LOCK WASHER	2	11-0005
4	7/16 X 3-1/4 NC HEX CAPSCREW	3	11-0510
5	3/8 X 2-1/4 NC HEX CAPSCREW	2	11-0513
6	7/16 NC NYLOCK NUT	3	11-1003
7	3/8 NC NYLOCK NUT	2	11-1024
8	R-CLIP	2	11-2001
9	1/4 X 2 ROLL PIN	6	11-2005
10	3 X 10 WELDED CYLINDER	1	14-0001
11	3 X 12 WELDED CYLINDER	1	14-0004
12	1/8 GREASE ZERK	3	23-0003
13	1/4 GREASE ZERK	6	23-0004

REF#	PARTS DESCRIPTION	REQ	PART #
14	1 X 7 PIN	1	27-0003
15	CLEVIS PIN	3	27-0004
16	LINKAGE PIN	2	27-0009
17	DRAFT BEAM/MAIN FRAME PIN	1	27-0502
18	EAR PIN	2	27-0509
19	BOSS	2	34-0002
20	HARDENED BUSHING	6	34-0005
21	PIVOT ARM	1	41-0025
22	LINKAGE ARM LEFT	1	41-0026
23	LINKAGE ARM RIGHT	1	41-0027
24	DRAFT BEAM		
	ROTARY, DIM A = 51-1/32"	1	41-1037
	FLAIL, DIM A = 60-25/32"	1	41-1038

CASTER ASSEMBLIES



CASTER ASSEMBLIES - 60"/72" REAR ROTARY DECK



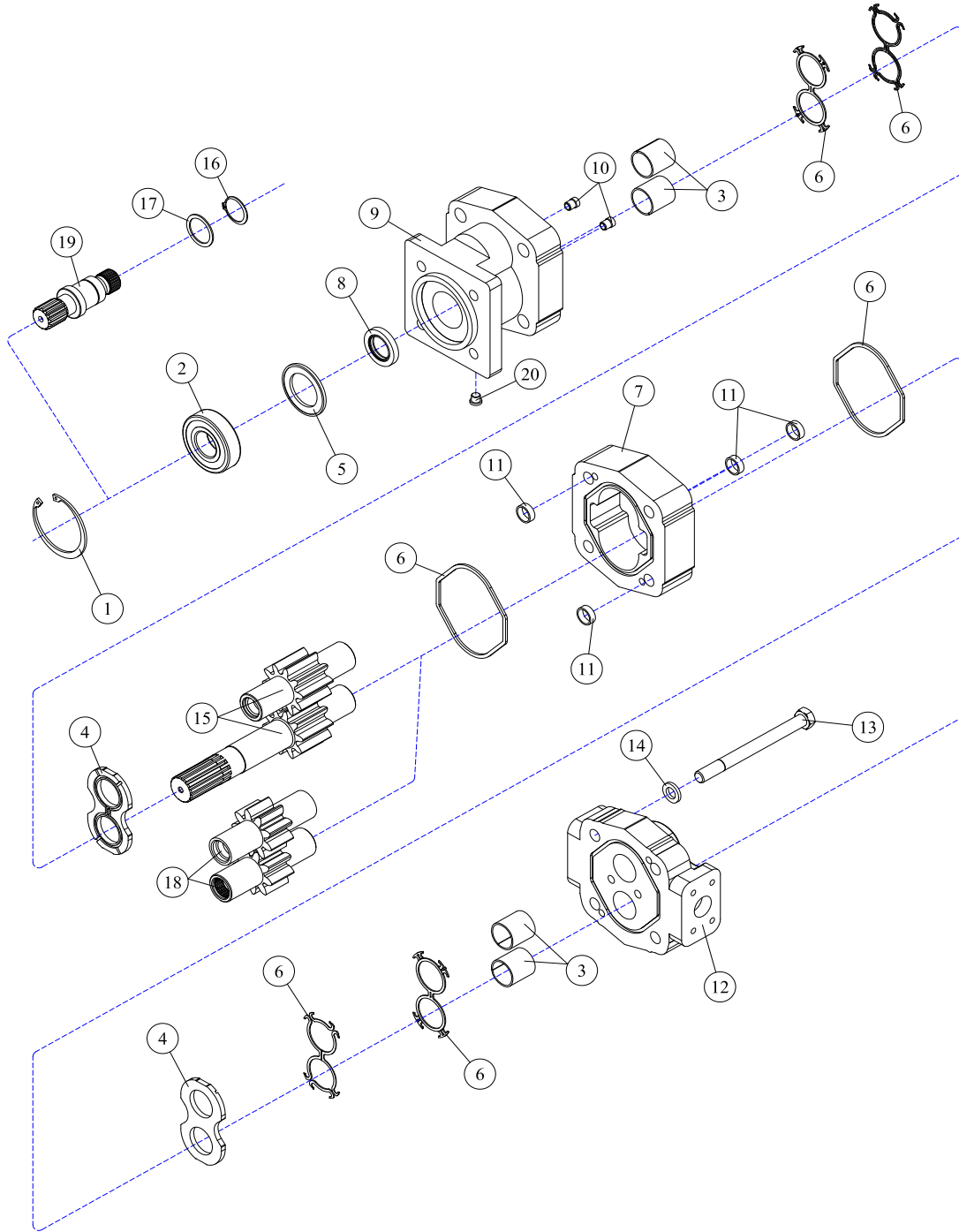
REF#	PARTS DESCRIPTION	REQ	PART #
1	CONE BEARING	2	10-0016
2	BEARING CUP	2	10-0017
3	GARLOCK BUSHING (Not available on all models)	2	10-0033
4	1" FLAT WASHER GR 5	2	11-0001
5	5/8 LOCK WASHER GR 5	2	11-0004
6	5/8 FLAT WASHER GR 5	2	11-0025
7	5/8 X 2-1/4 NC HEX CAPSCREW	2	11-0631
8	1 NC HEX NUT	4	11-1007
9	5/8 NC NYLOCK NUT	2	11-1025
10	1/4 X 2 ROLL PIN	5	11-2005
11	1/8 GREASE ZERK	2	23-0003
12	1/4 GREASE ZERK	2	23-0004
13	CLEVIS PIN	2	27-0004
14	3/16 X 2 COTTER PIN	1	27-1001
15	SEAL	1	33-0014
16	HARDENED BUSHING	2	34-0005

REF#	PARTS DESCRIPTION	REQ	PART #
17	10GA MACHINE BUSHING	1	34-0057
18	14GA MACHINE BUSHING	1	34-0058
19	CASTER SPINDLE	1	35-0001
*20	HUB ASSEMBLY COMPLETE	1	35-0002
21	HUB	1	35-0003
22	DUST CAP	1	35-0004
23	HUB STUD	5	35-0005
24	1" CASTLE NUT	1	35-0006
25	SPRING	1	36-0001
26	TIRE	1	38-0001
27	RIM COMPLETE (2 SECTIONS & HARDWARE)	1	38-0002
28	ADJUSTMENT ROD	1	41-0002
29	TUBE PROTECTOR	1	41-0016
30	CASTER WHEEL FRAME	1	41-0035
* #20 Hub assembly complete includes #1,2,14,15,21-23			

DECK ASSEMBLIES



30-0524 - MOTOR ASSEMBLY



REF#	PARTS DESCRIPTION	REQ	PART #
1	SNAP RING	1	30-1009
2	OUTBOARD BEARING	1	30-1010
3	BUSHING	4	30-1011
4	THRUST PLATE	2	30-1012
5	SEAL RETAINER	1	30-1017
6	M365 SEAL KIT	Avail	30-1021
7	2-1/4" M365 GEAR HOUSING	1	30-1026
8	SHAFT SEAL		
	150 PSI (included in M365 seal kit)	1	30-1210
	500 PSI	1	30-1156
9	SHAFT END COVER	1	30-1086
10	CHECK ASSEMBLY	2	30-1087
11	ALIGNMENT BUSHING	4	30-1090

REF#	PARTS DESCRIPTION	REQ	PART #
12	PORT END COVER	1	30-1091
13	STUD	4	Call
14	WASHER	4	30-1093
	GEAR SET OPTION A:		
15	2-1/4" GEAR SET	1	30-1165
	GEAR SET OPTION B:		
16	RETAINING RING	1	30-1019
17	WASHER	1	30-1020
18	2-1/4" GEAR SET	1	30-1025
19	CONTINENTAL SHAFT, SPLINED	1	30-1144
20	PLUG	1	30-1096
*	SEAL APPLICATOR TOOL (not shown)	Avail	30-1048

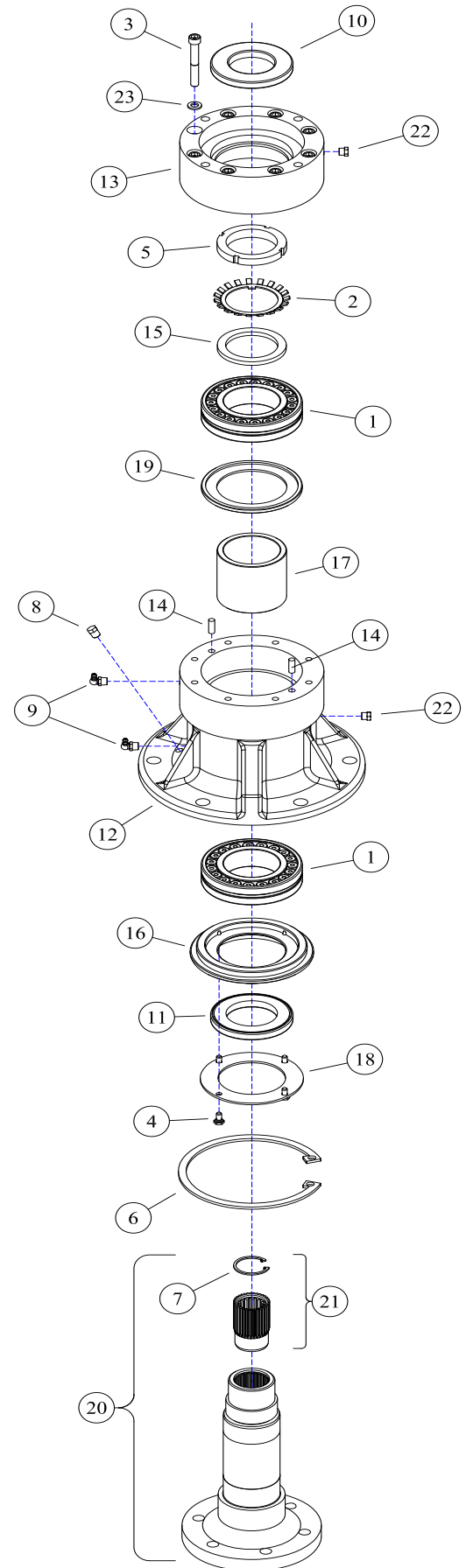
35-0088 - DIRECT DRIVE SPINDLE

Grease with #2 lithium based grease every 500hrs.
Use 10 pumps (.44oz) into each of the two grease zerks.

Warning: Do not overgrease
Overgreasing will cause damage or premature failure of the bearings, housing & seals.

REF#	PARTS DESCRIPTION	REQ	PART #
1	BEARING	2	10-0055
2	LOCKING WASHER	1	11-0048
3	3/8 X 2-3/4 NC SKT HEAD CAPSCREW	8	11-0703
4	1/4 X 1/2 NC CAPSCREW	4	11-0741
5	2-1/2 SPANNER NUT	1	11-1037
6	LARGE SNAP RING	1	11-2021
7	SMALL SNAP RING	1	11-2022
8	PIPE PLUG	1	21-1136
9	1/8 X 90 GREASE ZERK	2	23-0005
10	UPPER SEAL	1	33-0035
11	LOWER SEAL	1	33-0057
12	SPINDLE HOUSING	1	35-0021
13	SEAL/MOTOR MOUNT	1	35-0022
14	ALIGNMENT PIN	2	35-0032
15	SPACER	1	35-0050
16	BOTTOM SEAL PLATE	1	35-0063
17	SPACER	1	35-0064
18	BOTTOM PLATE	1	35-0065
19	GREASE CATCH	1	35-0066
20	SPINDLE SHAFT COMPLETE	1	35-0090
*21	SPLINED INSERT KIT	1	35-0091
22	BREATHER	2	80-1016
23	3/8 LOCK WASHER GR 5	8	11-0005

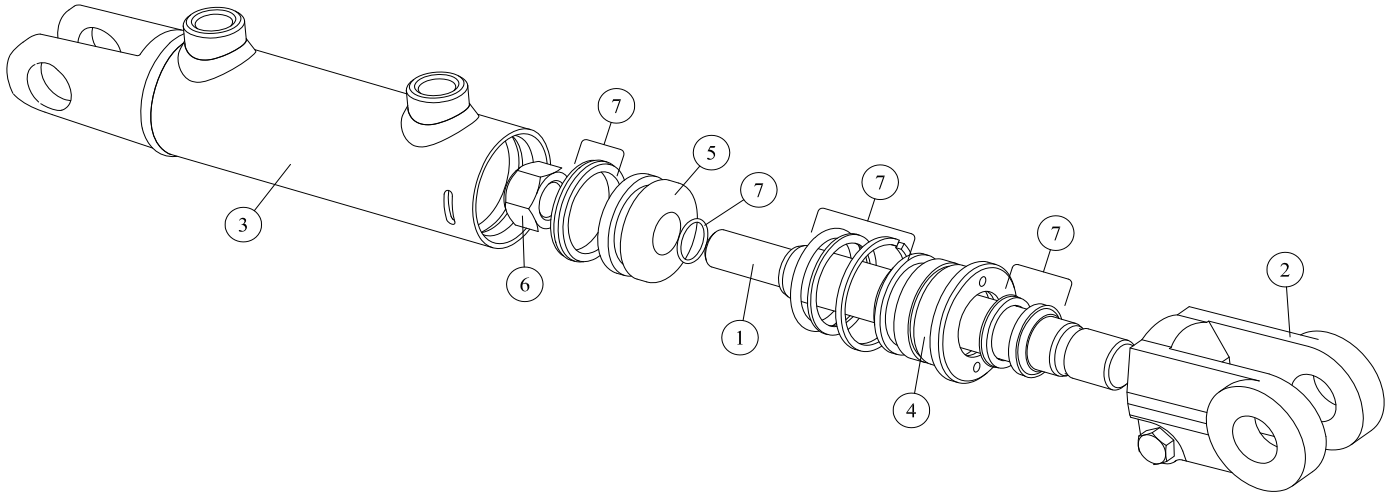
* The splined insert kit includes the insert removal tool 11-0913.



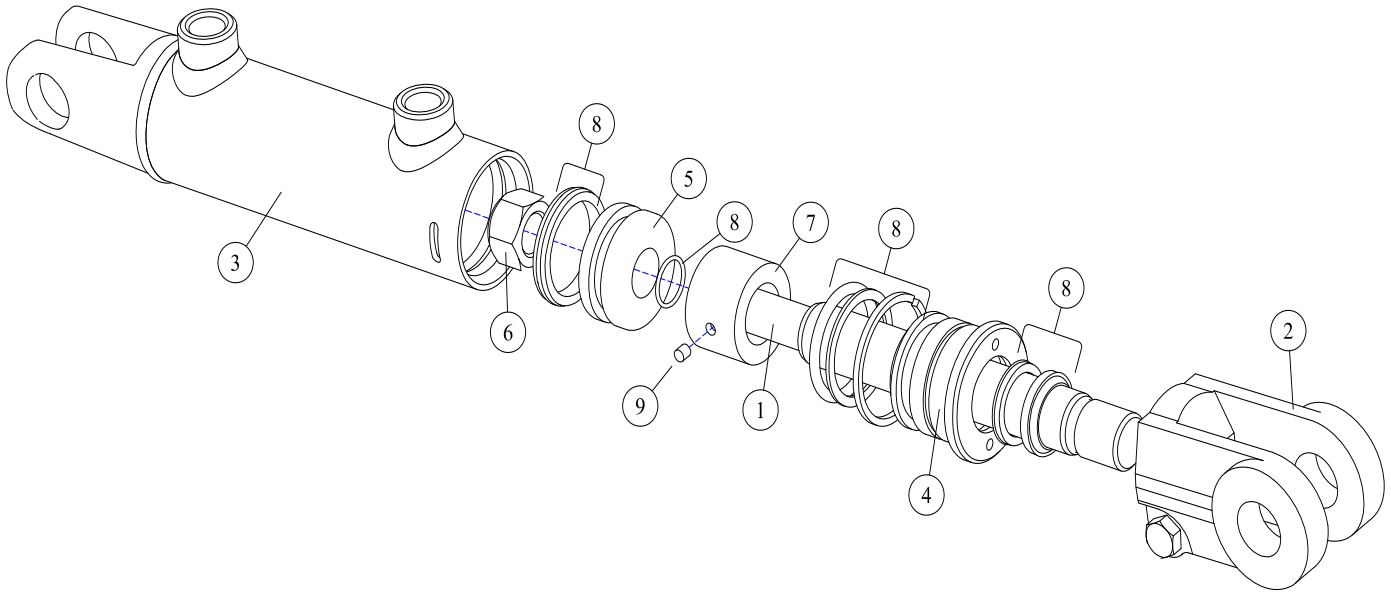
LIFT ASSEMBLIES



14-0001 - 3X10 WELDED CYLINDER



REF#	PARTS DESCRIPTION	REQ	PART #
1	PISTON ROD	1	14-1130
2	CLEVIS ASSEMBLY	1	14-1160
3	BUTT & TUBE ASSEMBLY	1	14-1140
4	GLAND	1	14-1155
5	PISTON	1	14-1150
6	LOCKNUT	1	14-1120
7	SEAL KIT	1	33-0038

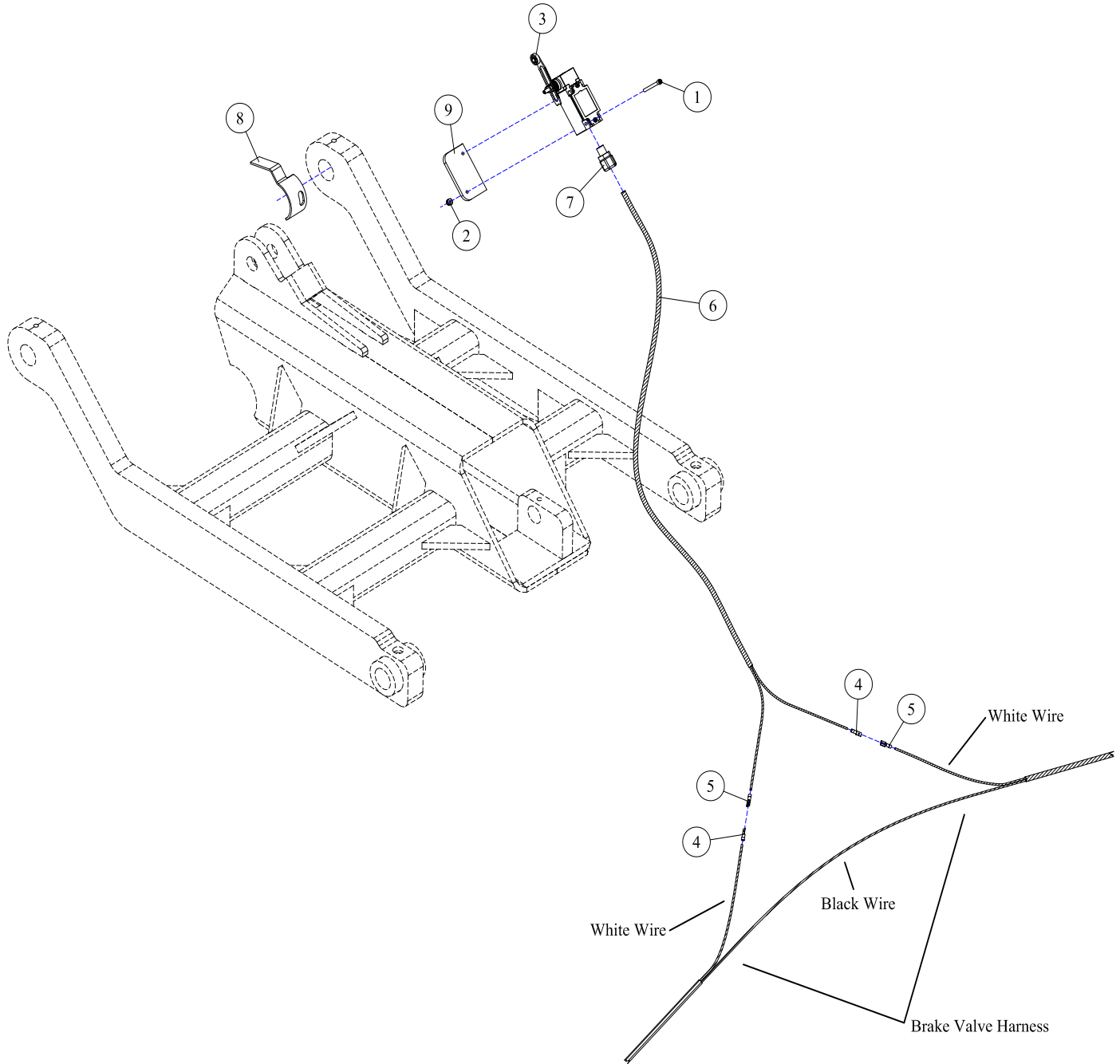
14-0004 - 3X12 WELDED CYLINDER, SLUGGED

REF#	PARTS DESCRIPTION	REQ	PART #
1	PISTON ROD	1	14-1131
2	CLEVIS ASSEMBLY	1	14-1160
3	BUTT & TUBE ASSEMBLY	1	14-1141
4	GLAND	1	14-1155
5	PISTON	1	14-1150
6	LOCKNUT	1	14-1120
7	SLUG	1	14-1191
8	SEAL KIT	1	33-0038
9	SET SCREW	1	11-2007

ELECTRICAL ASSEMBLIES



LIMIT SWITCH - DRAFT BEAM HEIGHT LIMITER



REF#	PARTS DESCRIPTION	REQ	PART #
1	#10 - 24 X 2 SHCS	2	11-0786
2	#10 - 24 NYLOCK NUT	2	11-1051
3	LIMIT SWITCH	1	16-0016
4	14-16GA MALE PUSH-ON CONNECTOR	2	16-0040
5	14-16GA FEMALE PUSH-ON CONNECTOR	2	16-0041
6	14/2 PRIMARY WIRE	Avail/ft	16-0042
7	3/8 CONDUIT STRAIN RELIEF	1	16-0043
8	CAM TILT BRACKET		
	LEFT	1	24-0039
	RIGHT	1	24-0040
9	LIMIT SWITCH PLATE	1	31-0023

(PAGE INTENTIONALLY BLANK)



**100% SATISFACTION
GUARANTEE**
★ GET IT, LOVE IT, *or* LEAVE IT! ★

**72-HOUR PARTS
SHIPPING GUARANTEE**