



PARTS BOOK

WETBLADE™ MOWERS

• 50" CUT • BOOM MOUNT •

DIAMOND MOWERS, LLC
350 E 60th St. North
Sioux Falls, SD 57104

FOR WARRANTY CALL DIAMOND MOWERS DIRECT:
888-960-0364
OUR TECHNICIANS WILL DIAGNOSE YOUR SITUATION
OVER THE PHONE TO GET YOU UP AND RUNNING QUICKLY.

Phone: 605-977-3300
Fax: 605-655-5870
www.diamondmowers.com

DEMAND BRILLIANCE.

© DIAMOND MOWERS, LLC



Foreword

This manual contains the parts breakdown and identification of the various components and structures that make up your mower implement.

The illustrations, drawings, and diagrams in this manual are based on the latest information available at the time of publication. Your machine may have product improvements and features not yet contained in this parts manual.

Diamond Mowers, LLC reserves the right to make changes at any time without notice or obligation.

Diamond Mowers, LLC™ and Wetblade™ are trademarks of Diamond Mowers, LLC.

This manual should be consulted prior and while assembling the unit, and anytime parts or assembly clarification is needed.

Copyright© 2016 Diamond Mowers, LLC

All rights reserved. While every precaution has been taken in the preparation of this manual, the publisher assumes no responsibility for errors or omissions. No part of this book covered by the copyrights hereon may be reproduced or copied in any form or by any means - graphic, electronic, or mechanical, including photocopying, taping, or information storage and retrieval systems - without written permission of the publisher.



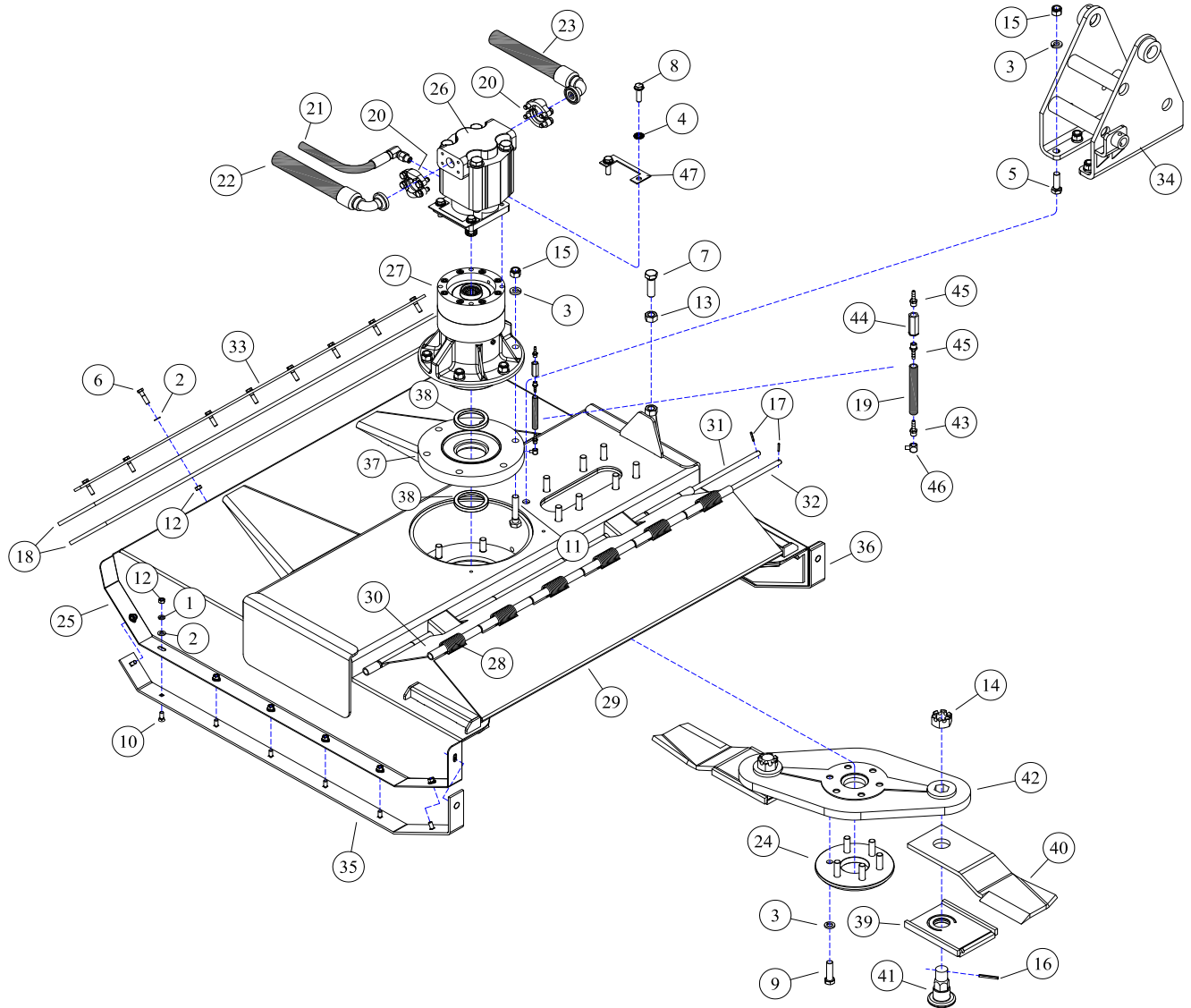
Table of Contents

ROTARY HEADS	4
BOOM WETBLADE™ HEAD - 50".....	5
HYDRAULIC TRAPDOOR (OPTIONAL) - BOOM ROTARY HEADS 50".....	6
DRIVE ASSEMBLIES	7
DRIVE ASSEMBLY - 50" ROTARY MOWER (WHEEL LOADER POWERED BOOM ONLY).....	8
DECK ASSEMBLIES	9
30-0515 - MOTOR ASSEMBLY.....	10
30-0532 - MOTOR ASSEMBLY.....	11
80-2542 - DIRECT DRIVE WETBLADE™ SPINDLE.....	12
LIFT ASSEMBLIES	13
14-0010 - 2X8 TIE-ROD CYLINDER.....	14
WETBLADE™ ASSEMBLIES	15
WETBLADE™ PUMP SYSTEM - LOW VOLUME.....	16
WETBLADE™ SYSTEM MOUNT - DRAWBAR.....	17

ROTARY HEADS



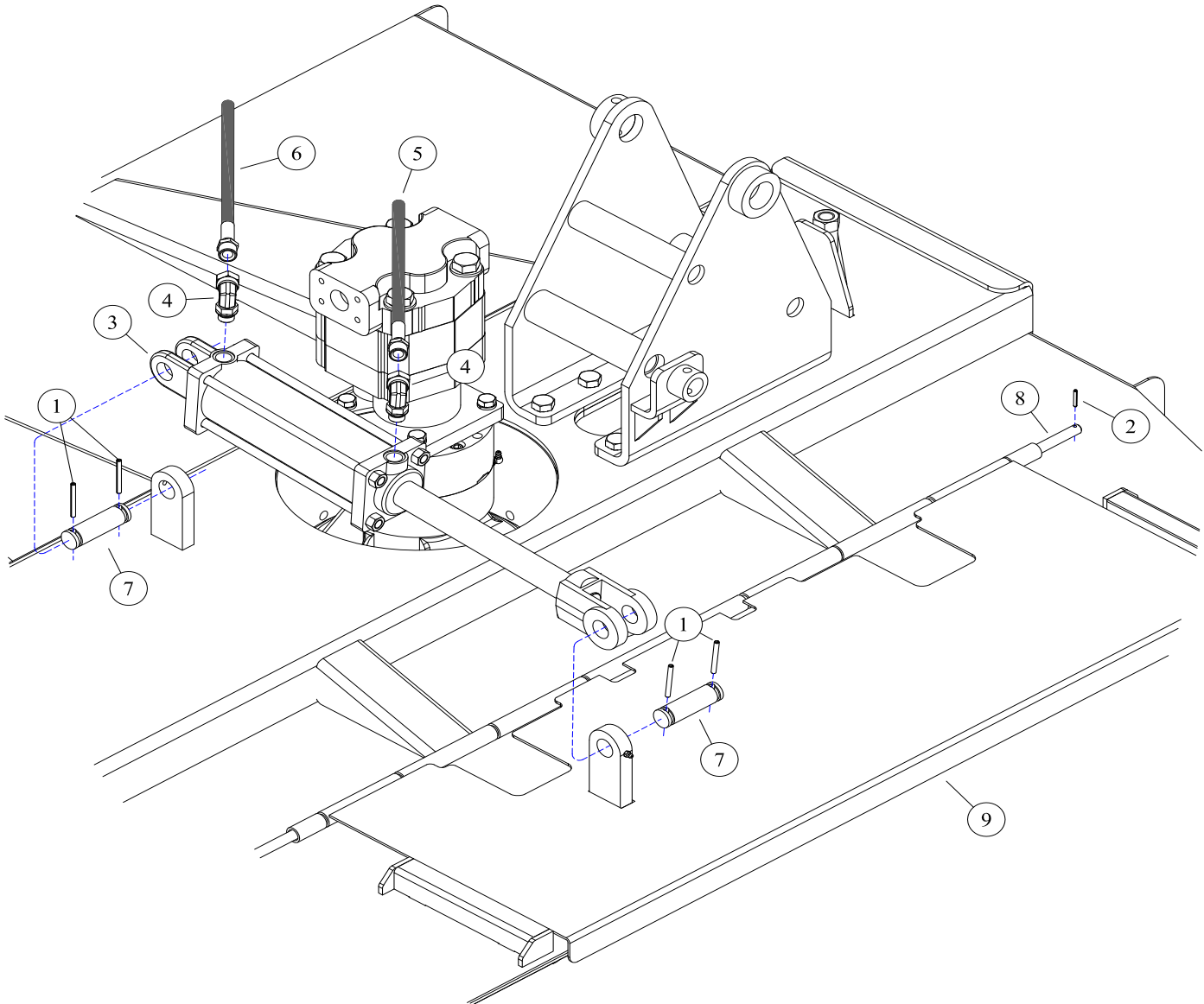
BOOM WETBLADE™ HEAD - 50"



REF#	PARTS DESCRIPTION	REQ	PART #
1	3/8 LOCK WASHER	16	11-0005
2	5/16 FLAT WASHER	25	11-0015
3	5/8 H.S. LOCK WASHER	20	11-0043
4	1/2 WIDE NORDLOCK LOCK WASHERS	4	11-0942
5	5/8 X 2 H.S. NF HEX CAPSCREW	8	11-0508
6	3/8 X 1-3/4 NC HEX CAPSCREW	9	11-0521
7	3/4 X 2-3/4 NC HEX CAPSCREW	1	11-0544
8	1/2 X 1-3/4 H.S. NF FLANGE HEX CAP GR8	4	11-0941
9	5/8 X 2-1/4 NF H.S. HEX CAPSCREW	6	11-0691
10	PLOW BOLT	16	11-0804
11	5/8 X 4 H.S. NF HEX CAP	6	11-0908
12	3/8 NC HEX NUT	25	11-1001
13	3/4 NC HEX NUT	1	11-1033
14	1-1/4 NF SLOTTED HEX NUT	2	11-1064
15	5/8 H.S. NF STOVER NUT	14	11-1143
16	1/4 X 2 ROLL PIN	2	11-2005
17	5/32 X 1 ROLL PIN	4	11-2054
18	FLAP	2	18-0015
19	HOSE, 3/16 FUEL LINE	0.25	21-0026
20	#20 FLANGE KIT	2	21-2105
21	HOSE 1/4 X 62 (1/4MORB-90 X 5/16MJIIC)	1	21-2498
22	HOSE 1 X 65 (1FJIC X #20FLG-90DEG)	1	21-2516
23	HOSE 1 X 57 (1FJIC X #20FLG-90DEG)	1	21-2517
24	BOLT PROTECTOR	1	24-0004

REF#	PARTS DESCRIPTION	REQ	PART #
25	50" DECK SHELL	1	25-0051
26	MOTOR 365 1-1/4" GEARS (Excluding wheel loader-powered booms.)	1	30-0515
27	WETBLADE SPINDLE ASSEMBLY	1	80-2542
28	TORSION SPRING	6	36-0003
29	FRONT SHIELD	1	41-0007
30	REAR SHIELD	1	41-0008
31	TRAP DOOR ROD, REAR	1	41-0009
32	TRAP DOOR ROD, FRONT	1	41-0010
33	FLAP RETAINING BAR	1	41-0030
34	MAST	1	41-0195
35	RIGHT SKID SHOE	1	42-0007
36	LEFT SKID SHOE	1	42-0008
37	WETBLADE FLUID PLATE, SPINDLE	1	80-1040
38	2.75 X 3.5 X .375 SEAL	2	80-1044
39	WETBAR	2	80-1523
40	WETBLADE	2	80-1524
41	BLADE BOLT	2	80-1532
42	DISH	1	80-1551
43	3/16 BARBED X 1/8NPT ADAPTER	1	80-2041
44	1/4FNPT X 1/4FNPTCHECK VALVE	1	80-2541
45	1/4NPT X 3/16 BARBED ADAPTER	2	80-2016
46	1/4-28 MALE X 1/8NPT-90DEG ADAPTER	1	21-1530
47	LOCKING TAB	2	31-0393

HYDRAULIC TRAPDOOR (OPTIONAL) - BOOM ROTARY HEADS 50"

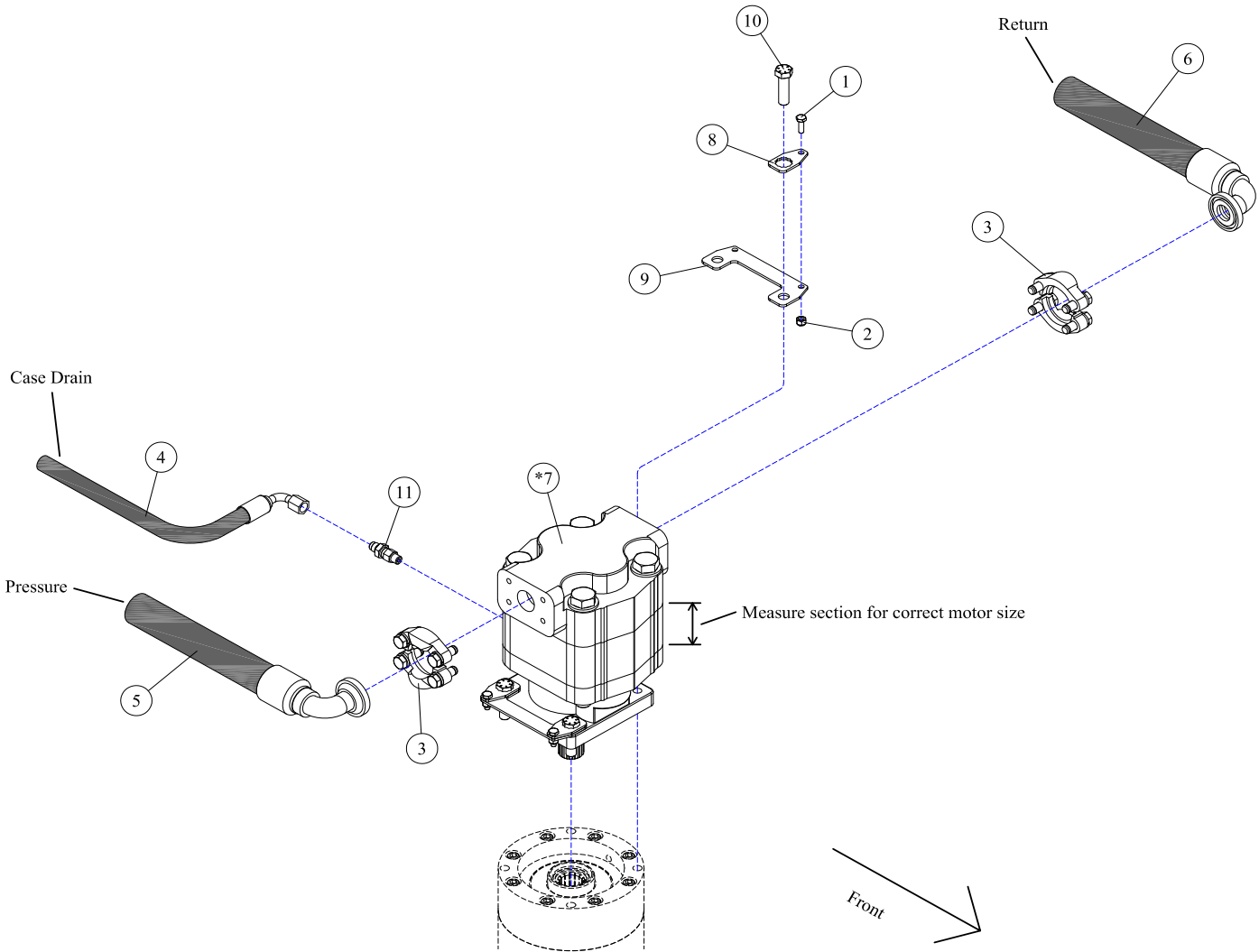


REF#	PARTS DESCRIPTION	REQ	PART #
1	1/4 X 2 ROLL PIN	4	11-2005
2	5/32 X 1 ROLL PIN	2	11-2054
3	2 X 8 CYLINDER	1	14-0010
4	1/2ADJ-OR X 1/2FPX-90DEG, FITTING	2	21-1119
5	HOSE 1/4 X 77 (1/2MP X 5/16MJIC)	1	21-2307
6	HOSE 1/4 X 66 (1/2MP X 5/16MJIC)	1	21-2405
7	CLEVIS PIN, 1 X 3-1/2	2	27-0004
8	TRAP DOOR ROD, REAR	1	41-0009
9	HYDRAULIC SHIELD	1	41-0222

DRIVE ASSEMBLIES



DRIVE ASSEMBLY - 50" ROTARY MOWER (WHEEL LOADER POWERED BOOM ONLY)



* Note: These are the flow rates AFTER the oil has passed through the 4:1 divider.

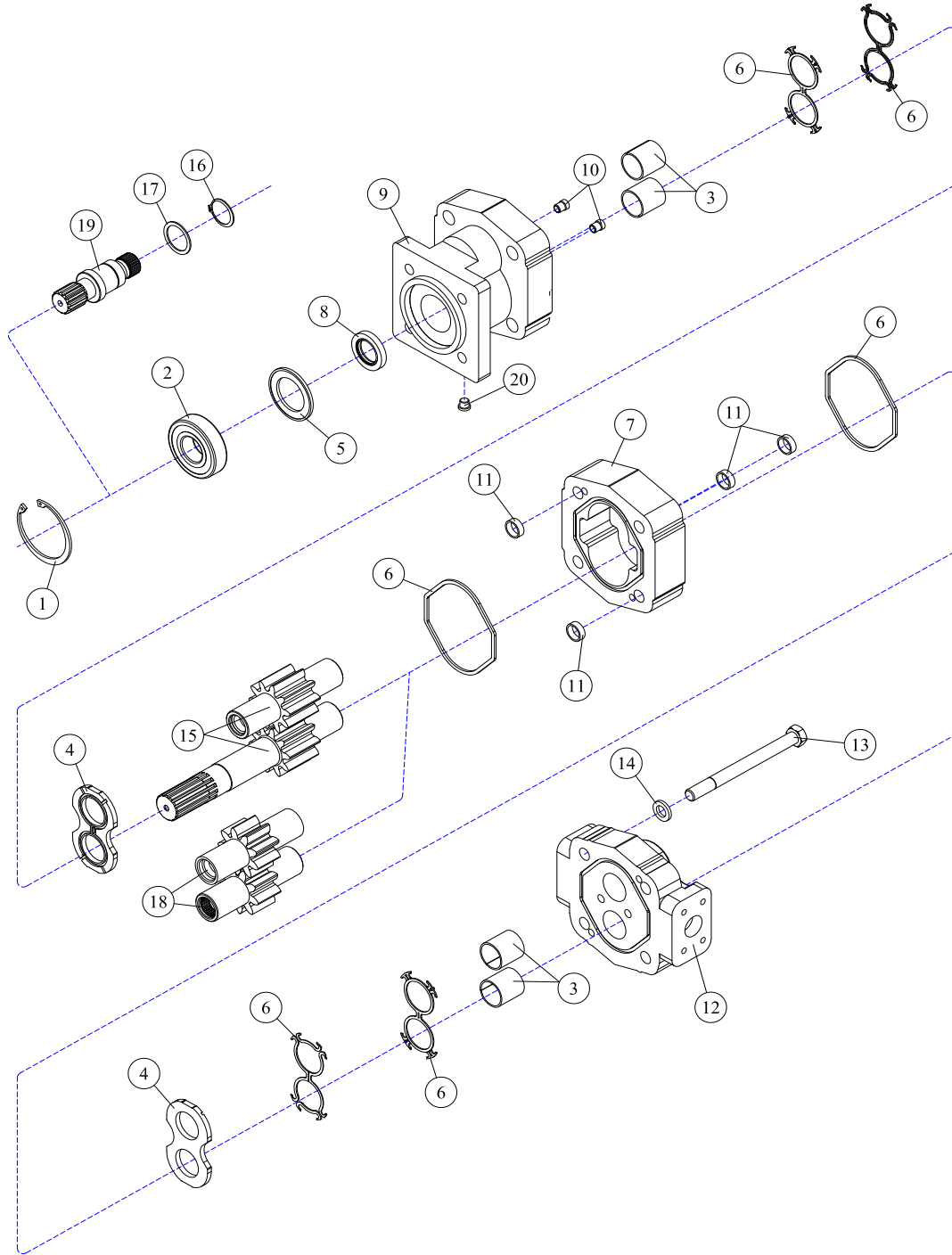
REF#	PARTS DESCRIPTION	REQ	PART #
1	1/4 X 3/4 NC HEX CAP	4	11-0588
2	1/4 NC NYLOCK NUT	4	11-1022
3	#20 FLANGE KIT	2	21-2105
4	HOSE 3/8 X 62 (3/8FJIC-90DEG X 1/2MJIC)	1	21-4304
5	HOSE 1 X 65 (1FJIC X #20FLG-90DEG)	1	21-2516
6	HOSE 1 X 57 (1FJIC X #20FLG-90DEG)	1	21-2517

REF#	PARTS DESCRIPTION	REQ	PART #
* 7	MOTOR		
	M365, 1-1/4" GEAR SET, 1-3/4" SECT, 30-39 GAL/MIN	1	30-0532
	M365, 1-1/2" GEAR SET, 2" SECT, 40-45 GAL/MIN	1	30-0515
8	MOTOR BOLT LOCK TAB	4	31-0503
9	MOTOR BOLT LOCK BASE	2	31-0504
10	1/2-20 X 1-3/4 H.S. NF HEX CAP GR.8	4	11-0664
11	ADAPTER, 1/4MOR X 3/8MJIC	1	21-1597

DECK ASSEMBLIES



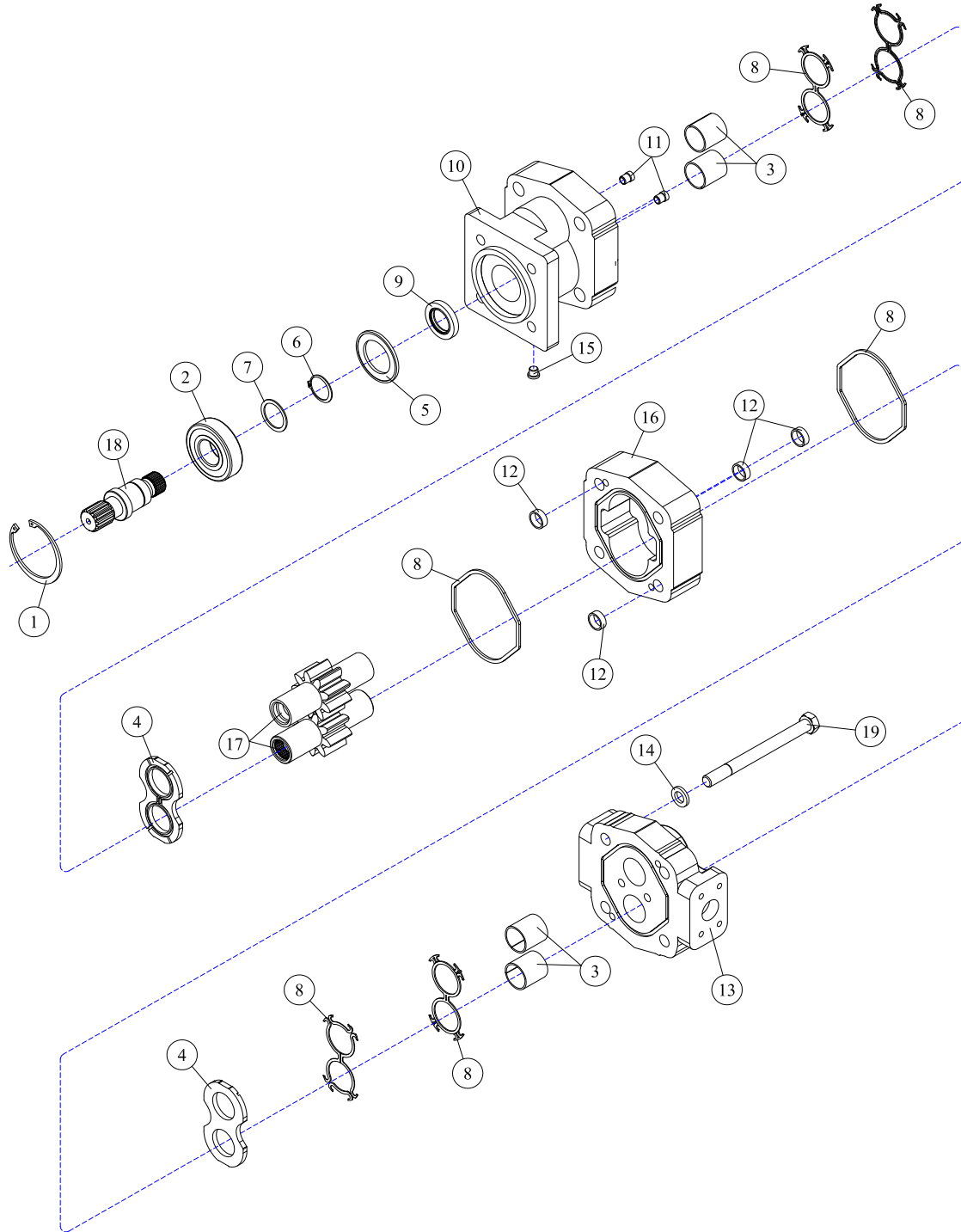
30-0515 - MOTOR ASSEMBLY



REF#	PARTS DESCRIPTION	REQ	PART #
1	SNAP RING	1	30-1009
2	OUTBOARD BEARING	1	30-1010
3	BUSHING	4	30-1011
4	THRUST PLATE	2	30-1012
5	SEAL RETAINER	1	30-1017
6	M365 SEAL KIT	Avail	30-1021
7	GEAR HOUSING	1	30-1023
8	SHAFT SEAL		
	150 PSI (included in M365 seal kit)	1	30-1210
	500 PSI	1	30-1156
9	SHAFT END COVER	1	30-1086
10	CHECK ASSEMBLY	2	30-1087
11	ALIGNMENT BUSHING	4	30-1090

REF#	PARTS DESCRIPTION	REQ	PART #
12	PORT END COVER	1	30-1091
13	STUD	4	30-1092
14	WASHER	4	30-1093
	GEAR SET OPTION A:		
15	1-1/2" GEAR SET	1	30-1159
	GEAR SET OPTION B:		
16	RETAINING RING	1	30-1019
17	WASHER	1	30-1020
18	1-1/2" GEAR SET	1	30-1022
19	CONTINENTAL SHAFT, SPLINED	1	30-1144
20	PLUG	1	30-1096
*	SEAL APPLICATOR TOOL (not shown)	Avail	30-1048

30-0532 - MOTOR ASSEMBLY



REF#	PARTS DESCRIPTION	REQ	PART #
1	SNAP RING	1	30-1009
2	OUTBOARD BEARING	1	30-1010
3	BUSHING	4	30-1011
4	THRUST PLATE	2	30-1012
5	SEAL RETAINER	1	30-1017
6	RETAINING RING	1	30-1019
7	WASHER	1	30-1020
8	M365 SEAL KIT	Avail	30-1021
9	150 PSI (included in M365 seal kit)	1	30-1210
10	SHAFT END COVER	1	30-1086

REF#	PARTS DESCRIPTION	REQ	PART #
11	CHECK ASSEMBLY	2	30-1087
12	ALIGNMENT BUSHING	4	30-1090
13	PORT END COVER	1	30-1091
14	WASHER	4	30-1093
15	PLUG	1	30-1096
16	GEAR HOUSING	1	30-1195
17	1-1/4" GEAR SET	1	30-1194
18	CONTINENTAL SHAFT, SPLINED	1	30-1144
19	STUD	4	Call

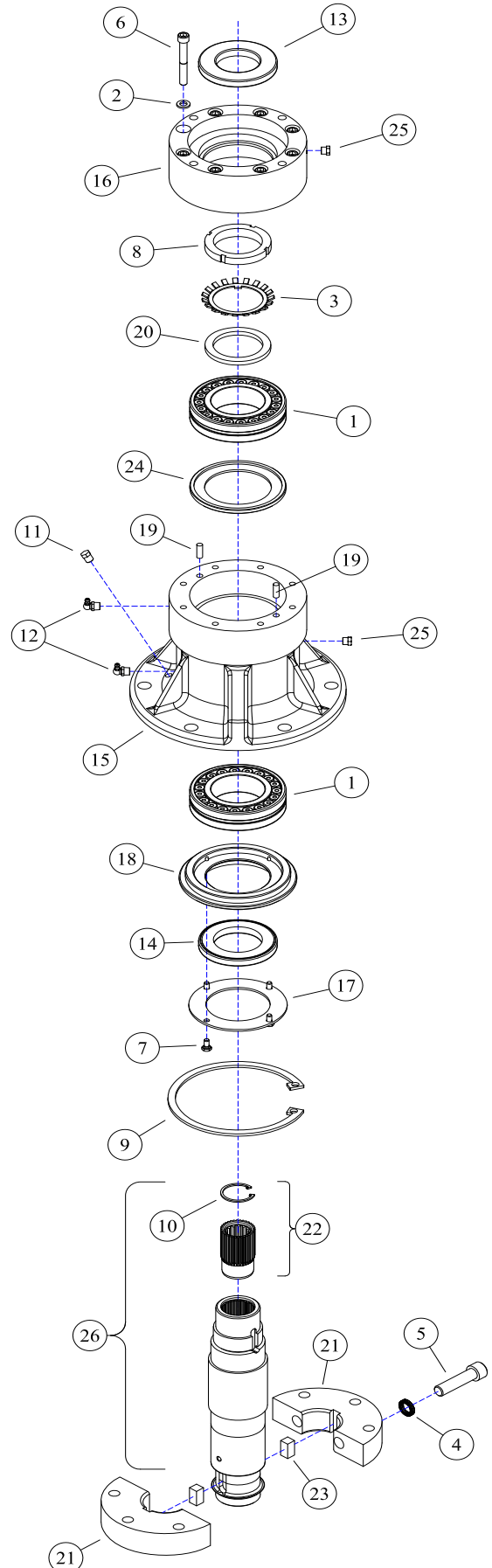
80-2542 - DIRECT DRIVE WETBLADE™ SPINDLE

The direct drive spindle requires substantially less lubrication than previous versions of mower spindles. Grease with #2 lithium based grease every 500hrs. Use 10 pumps (.44oz) into each of the two grease zerks.

Warning: Do not overgrease
Overgreasing will cause damage or premature failure of the bearings, housing & seals.

REF#	PARTS DESCRIPTION	REQ	PART #
1	BEARING	2	10-0055
2	3/8 LOCK WASHER	8	11-0005
3	LOCKING WASHER	1	11-0048
4	5/8 CARBON STEEL NORD-LOCK	2	11-0053
5	5/8 X 2-1/2 NF SKT HEAD CAPSCREW	2	11-0697
6	3/8 X 2-3/4 NC SKT HEAD CAPSCREW	8	11-0703
7	1/4 X 1/2 NC CAPSCREW	4	11-0741
8	2-1/2 SPANNER NUT	1	11-1037
9	LARGE SNAP RING	1	11-2021
10	SMALL SNAP RING	1	11-2022
11	PIPE PLUG	1	21-1136
12	1/8 X 90 GREASE ZERK	2	23-0005
13	UPPER SEAL	1	33-0035
14	LOWER SEAL	1	33-0040
15	SPINDLE HOUSING	1	35-0021
16	SEAL/MOTOR MOUNT	1	35-0022
17	BOTTOM PLATE	1	35-0025
18	BOTTOM SEAL PLATE	1	35-0030
19	ALIGNMENT PIN	2	35-0032
20	SPACER	1	35-0050
*21	SHAFT CLAMP	1	35-0089
**22	SPLINED INSERT KIT	1	35-0091
23	KEY	2	35-0092
24	GREASE CATCH	1	80-1007
25	BREATHER	2	80-1016
26	SPINDLE SHAFT COMPLETE	1	80-1046

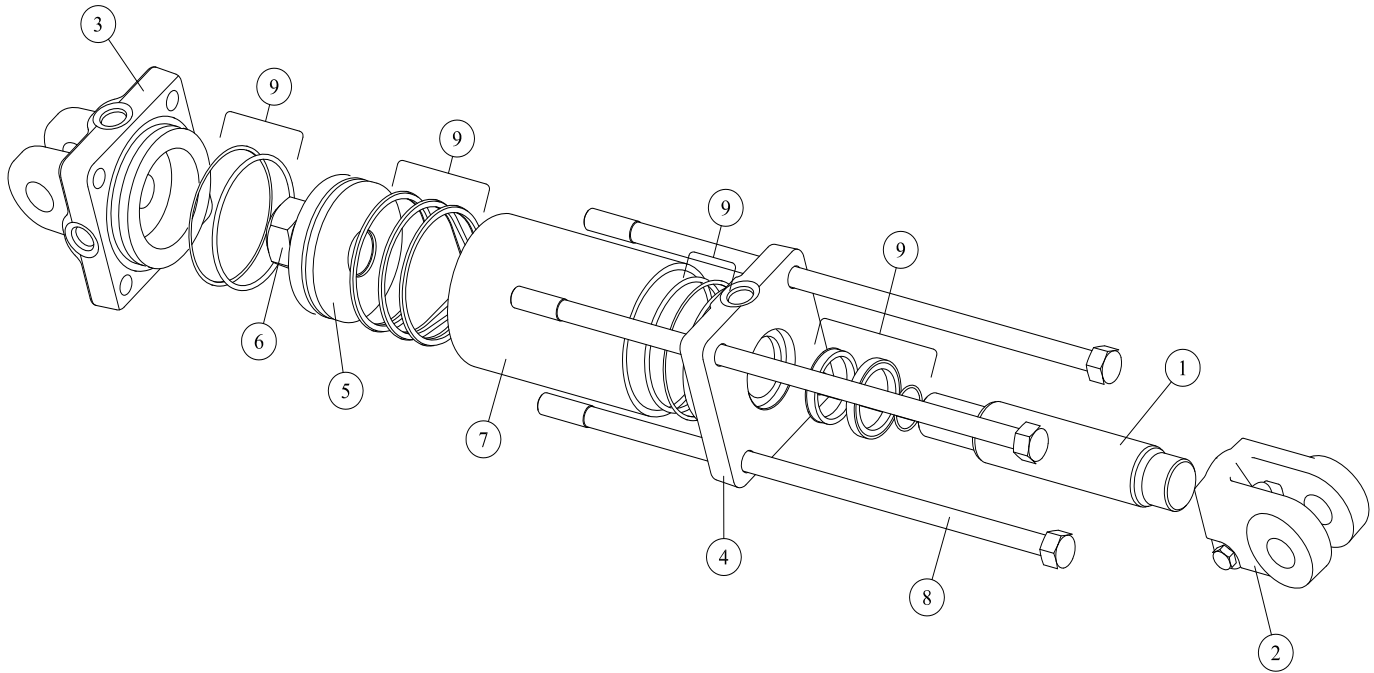
* Item # 21 shaft clamp includes both clamping halves.
** The splined insert kit includes the insert removal tool 11-0913.



LIFT ASSEMBLIES



14-0010 - 2X8 TIE-ROD CYLINDER

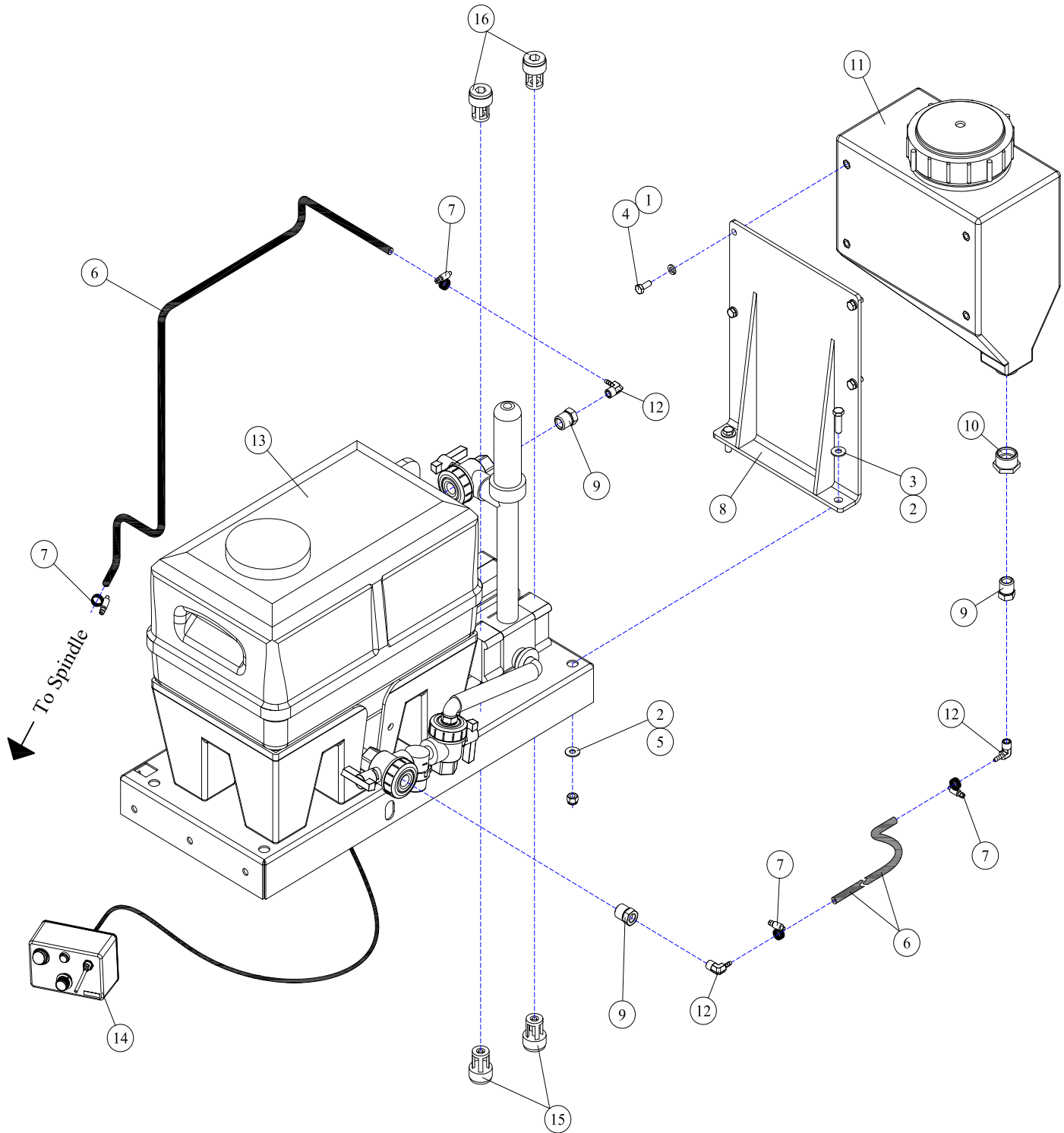


REF#	PARTS DESCRIPTION	REQ	PART #
1	PISTON ROD	1	14-1066
2	CLEVIS ASSEMBLY	1	14-1064
3	BUTT	1	14-1062
4	GLAND	1	14-1063
5	PISTON	1	14-1067
6	LOCKNUT	1	14-1068
7	TUBE	1	14-1172
8	TIE-ROD ASSEMBLY	4	14-1069
9	SEAL KIT	1	33-0025

**WETBLADE™
ASSEMBLIES**



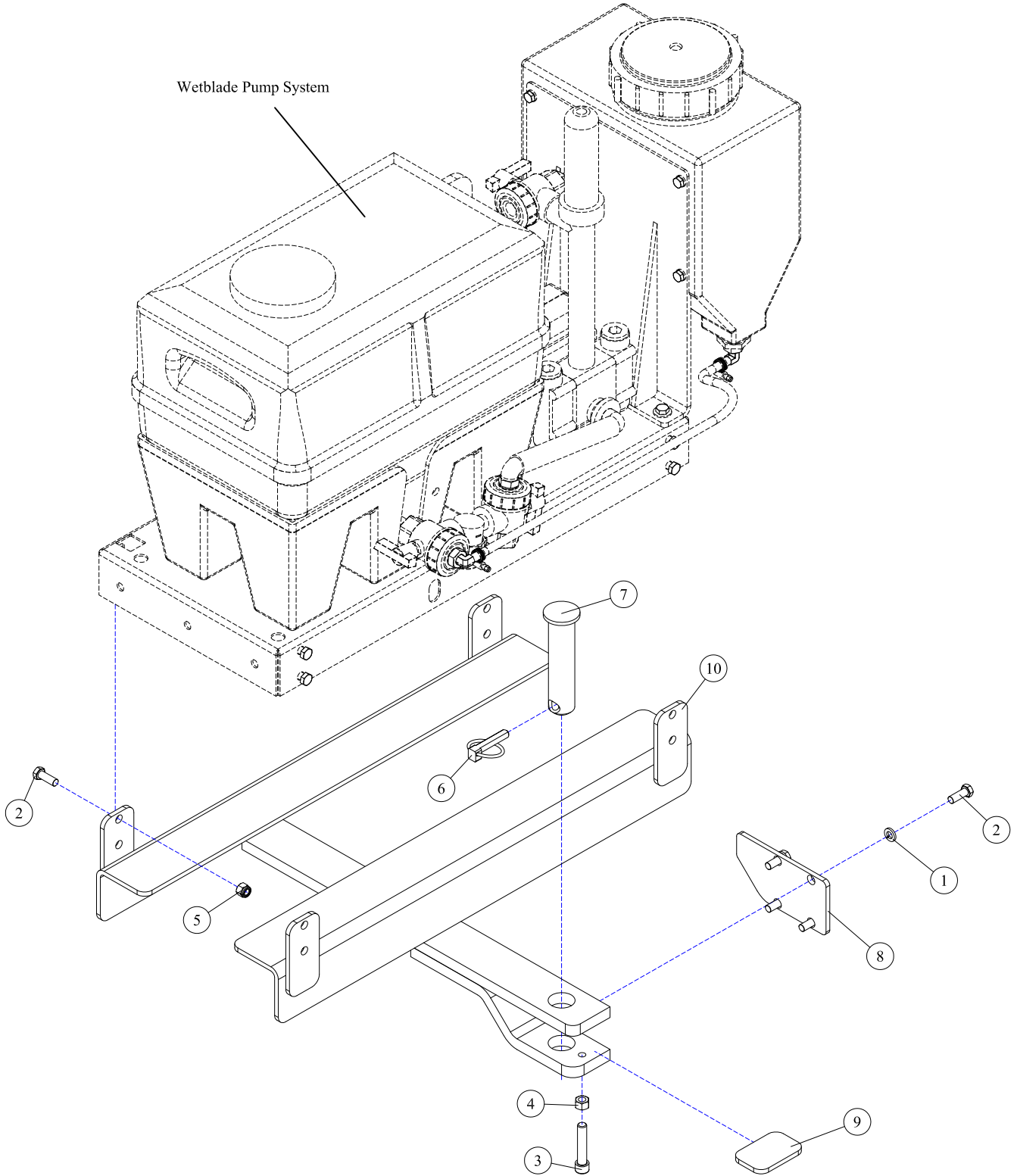
WETBLADE™ PUMP SYSTEM - LOW VOLUME



REF#	PARTS DESCRIPTION	REQ	PART #
1	5/16 LOCK WASHER GR5	4	11-0013
2	5/16 FLAT WASHER GR5	4	11-0015
3	3/8 X 1-1/4 NC HEX CAPSCREW	2	11-0533
4	5/16 X 3/4 NC HEX CAPSCREW	4	11-0596
5	3/8 NC NYLOCK NUT	2	11-1024
6	HOSE, 3/16 FUEL LINE (SOLD/FT)	5	21-0026
7	CLAMP, WORM GEAR	4	21-0027
8	FLUSH TANK BRACKET	1	41-1094

REF#	PARTS DESCRIPTION	REQ	PART #
9	POLY REDUCER BUSHING, 1/2FP X 1/4MP	3	80-2101
10	POLY REDUCER BUSHING, 3/4 X 1/2FP	1	80-2103
11	3 GALLON FLUSH TANK	1	80-2104
12	1/4NPT X 3/16 BARBED-90DEG, ADAPTER	3	80-2540
13	WETBLADE CONTROL SYSTEM-LOW FLOW	1	80-6012
14	ANALOG CONTROL ASSEMBLY	1	063-0173-592
15	CARTRIDGE, INTAKE	2	80-6020
16	CARTRIDGE, DISCHARGE	2	80-6021

WETBLADE™ SYSTEM MOUNT - DRAWBAR



REF#	PARTS DESCRIPTION	REQ	PART #
1	3/8 LOCK WASHER GR5	4	11-0005
2	3/8 X 1 NC HEX CAPSCREW	12	11-0532
3	7/16 X 2-1/4 NC SHCS	1	11-0927
4	7/16 NC HEX NUT	1	11-1002
5	3/8 NC NYLOCK NUT	8	11-1024

REF#	PARTS DESCRIPTION	REQ	PART #
6	LYNCH PIN, 7/16 X 2	1	27-1005
7	DRAWBAR PIN	1	27-1017
8	HITCH TENSIONER/WETBLADE	1	80-3502
9	DRAWBAR SPACER	1	80-3503
10	DRAWBAR WETBLADE MOUNT	1	80-3545



**100% SATISFACTION
GUARANTEE**
★ GET IT, LOVE IT, *or* LEAVE IT! ★

**72-HOUR PARTS
SHIPPING GUARANTEE**